

SPARE PARTS CATALOGUE

AUGUST 1973

PILATUS FLUGZEUGWERKE AG STANS/NW
SCHWEIZ

PILATUS B4-PC11

ALL METAL SAILPLANE

SPARE PARTS CATALOGUE

The following list contains all parts in this Spare Parts Catalogue with the Index-Number, the Figure-Number and the amendments to the above parts. At each change shall the appropriate sequence number instead of "0" (welche den Stand bei Neuausgabe angibt) eingetragen und dieses Seitenverzeichnis neu herausgegeben. Die Aenderungsnummer erscheint dann auf jeder geordneten oder neu eingeführten Seite unten links beziehungsweise rechts und zwar immer nur die Nummer der letzten Aenderung.

AMENDMENTS

Amend't No	0							
Date	Jan 73							

Section		Section		Section		Section		Section		Section	
INDEX NO.	Fig.No.	INDEX	Fig	INDEX NO.	Fig.No.	INDEX	Fig	INDEX NO.	Fig.No.	INDEX	Fig
A	B	0	0	2/1/21	2/1/23	0	0	9/0/5	9/0/7	0	0
C	D	0	0	2/1/23	2/1/25	0	0	9/0/7	9/0/9	0	0
E	0/0/1	0	0	2/1/25	2/2/1	0	0	9/0/9	9/1/1	0	0
0/0/1	0/1/1	0	0	2/2/1	2/3/1	0	0	9/1/1	9/1/3	0	0
0/1/1	0/1/3	0	0	2/3/1	2/3/3	0	0	9/1/3	9/1/5	0	0
0/1/3	1/0/1	0	0	2/3/3	2/3/7	0	0	9/1/5	9/2/1	0	0
1/0/1	1/1/1	0	0	2/3/7	2/4/1	0	0	9/2/1	9/2/3	0	0
1/1/1	1/1/3	0	0	2/4/1	3/0/1	0	0	9/2/3	9/2/5	0	0
1/1/3	1/1/5	0	0	3/0/1	3/0/3	0	0	9/2/5	9/2/7	0	0
1/1/5	1/1/10	0	0	3/0/3	3/1/1	0	0	9/2/7	9/3/1	0	0
1/1/10	1/1/12	0	0	3/1/1	3/1/3	0	0	9/3/1	9/3/3	0	0
1/1/12	1/1/14	0	0	3/1/3	3/1/5	0	0	9/3/3	9/4/1	0	0
1/1/14	1/2/1	0	0	3/1/5	3/2/1	0	0	9/4/1	9/5/1	0	0
1/2/1	1/2/3	0	0	3/2/1	3/2/3	0	0	9/5/1	9/5/3	0	0
1/2/3	2/1/1	0	0	3/2/3	V1/1	0	0	9/5/3	9/5/5	0	0
2/1/1	2/1/3	0	0	4/1/1	4/1/3	0	0	9/5/5	9/6/1	0	0
2/1/3	2/1/5	0	0	4/1/3	4/1/5	0	0	9/6/1		0	0
2/1/5	2/1/7	0	0	4/1/5	4/2/1	0	0				
2/1/7	2/1/9	0	0	4/2/1	6/1/1	0	0				
2/1/9	2/1/11	0	0	6/1/1	6/1/3	0	0				
2/1/11	2/1/13	0	0	6/1/3	6/2/1	0	0				
2/1/13	2/1/15	0	0	6/2/1	6/3/1	0	0				
2/1/15	2/1/17	0	0	6/3/1	9/0/1	0	0				
2/1/17	2/1/19	0	0	9/0/1	9/0/3	0	0				
2/1/19	2/1/21	0	0	9/0/3	9/0/5	0	0				

PILATUS B4-PC11

ALL METAL SAILPLANE

SPARE PARTS CATALOGUE

PILATUS B4-PC11

ALL METAL SAILPLANE

SPARE PARTS CATALOGUE

ORDERING OF SPARE PARTS

To order spare parts for the PILATUS B4 sailplane please provide the following information.

Information
Required

- Model and Works Number (WN) of the sailplane
- Figure and Index Number
- Quantity Required
- Designation of parts and the part number

Example

B4-PC11 WN 014
2/1/11
-18/1,50m/ Protection strip
a 671 Nr.4 PVC 105mm long 917.53.82.003
2/3/7
-1 / 1 / Seat bottom 112.50.11.026
2/1/11
-8 / 1 / 6kt.-Screw
AN 4C16A 932.19.60.128

Address

PILATUS FLUGZEUGWERKE AG
6370 S t a n s / N W
SCHWEIZ

Telephone

(041) 61 14 46

Telex

78 329

Telegram Address

PILATUSAIR STANS / SCHWEIZ

PILATUS B4-PC11

ALL METAL SAILPLANE

SPARE PARTS CATALOGUE

PILATUS B4-PC11

ALL METAL SAILPLANE

SPARE PARTS CATALOGUE

CONTENTS

0	General	0/0/ 0/1/	Aircraft Overview Placards
1	Wings	1/0/ 1/1/ 1/2/	Wings general Wing internals and skin Aileron
2	Fuselage	2/1/ 2/2/ 2/3/ 2/4/	Fuselage frame and skin Canopy Seat Belts Interior Trim
3	Tail Section	3/0/ 3/1/ 3/2/	Tail General Vertical stabiliser internals Horizontal stabiliser internals
4	Undercarriage	4/1/ 4/2/	Main landing gear Tail wheel
6	Controls	6/1/ 6/2/ 6/3/	Main controls Trim controls Airbrake controls
9	Instruments	9/0/ 9/1/ 9/2/ 9/3/ 9/4/ 9/5/ 9/6/	General Equipment Instrument panel Instrument air lines Wheel brake Coupling release Radio Electrical system

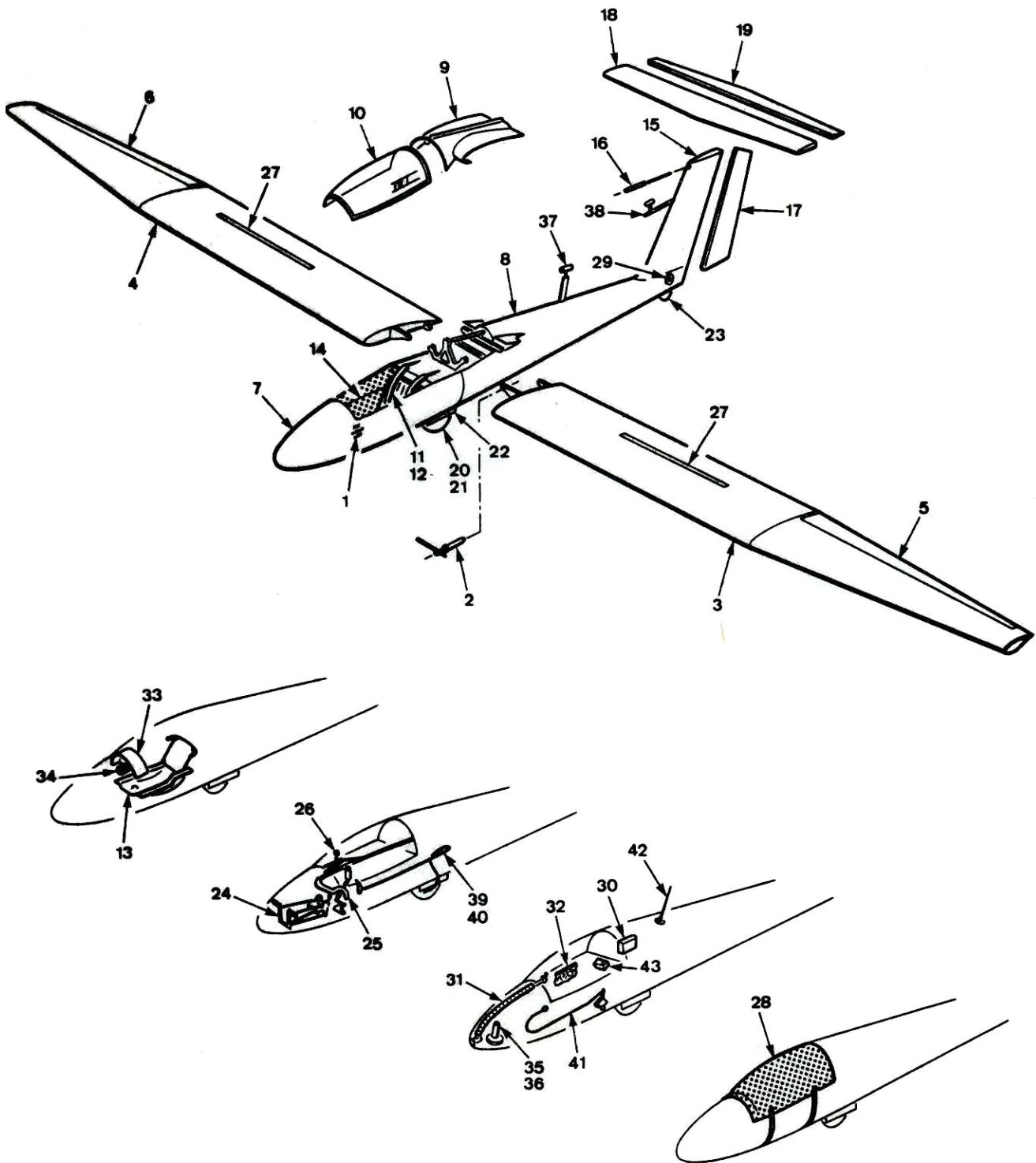
PILATUS B4-PC11

ALL METAL SAILPLANE

SPARE PARTS CATALOGUE

Figure 0/0/1

Glider Summary



PILATUS B4-PC11

ALL METAL SAILPLANE

SPARE PARTS CATALOGUE

Figure & Pos No	No Off	Description	Part No.
0/0/1		Aircraft overview	
-1		Decal (see Fig. 0/1/1)	
-2		Wing mounting assembly (see Fig. 1/0/1)	
-3		Left Wing (see Fig. 1/1/1)	
-4		Right Wing (see Fig. 1/1/10)	
-5		Left aileron (see Fig. 1/2/1)	
-6		Right aileron (see Fig. 1/2/3)	
-7		Fuselage frame (see Fig. 2/1/1)	
-8		Rear Fuselage. (see Fig. 2/1/15)	
-9		Cover (see Fig. 2/1/25)	
-10		Canopy (see Fig. 2/2/1)	
-11		Seat belts and mountings (see Fig. 2/3/1)	
		GADRINGER-GURTEN 4-pont	
-12		Seat belts and mountings (see Fig. 2/3/3)	
		AUTQFLUG-GURTEN 4-point (5-point)	
-13		Seat (see Fig. 2/3/7)	
-14		Cockpit lining. (see Fig, 2/4/1)	
-15		Fin assembly (see Fig. 3/0/1)	
-16		Horizontal stabiliser securing pin (see Fig. 3/0/3)	
-17		Rudder arrangement (see Fig. 3/1/3)	
-18		Horizontal stabiliser (see Fig. 3/2/1)	
-19		Elevator (see Fig. 3/2/3)	
-20		Main landing gear mounting (fixed) (see Fig. 4/1/1)	
-21		Main landing gear mounting (retractable) (see Fig. 4/1/3)	
-22		Main landing gear door mounting (retractable) (see Fig. 4/1/5)	
-23		Tail wheel installation (see Fig. 4/2/1)	
-24		Rudder control (see Fig. 6/1/1)	
-25		Flight controls (see Fig. 6/1/3)	
-26		Trim control (see Fig. 6/2/1)	
-27		Airbrake (see Fig. 6/3/1)	
-28		Canopy cover (see Fig. 9/0/1)	
-29		Ballast weights (see Fig. 9/0/3)	Only on request
-30		Bar o graph- mounting (see Fig. 9/0/5)	Only on request
-31		Fresh air ventilation (see Fig. 9/0/7)	
-32		Storage pocket (see Fig. 9/0/9)	
-33		Instrument panel arrangement (see Fig. 9/1/1)	
-34		Instruments (see Fig. 9/1/3)	
-35		Instrument cables (standard) (see Fig. 9/2/1)	
-36		Instrument cables (special exit) (see Fig. 9/2/3)	
-37		Pitot tube (hull) (see Fig. 9/2/5)	Only on request
-38		Pitot tube (tail fin) (see Fig. 9/2/7)	Only on request
-39		Brake cable (fixed) (see Fig. 9/3/1)	
-40		Brake cable (retractable) (see Fig. 9/3/3)	
-41		Release cable (see Fig. 9/4/1)	
-42		Radio aerial (see Fig. 9/5/1)	Only on request
-43		Landing gear warning system (see Fig. 9/6/1)	Only on request

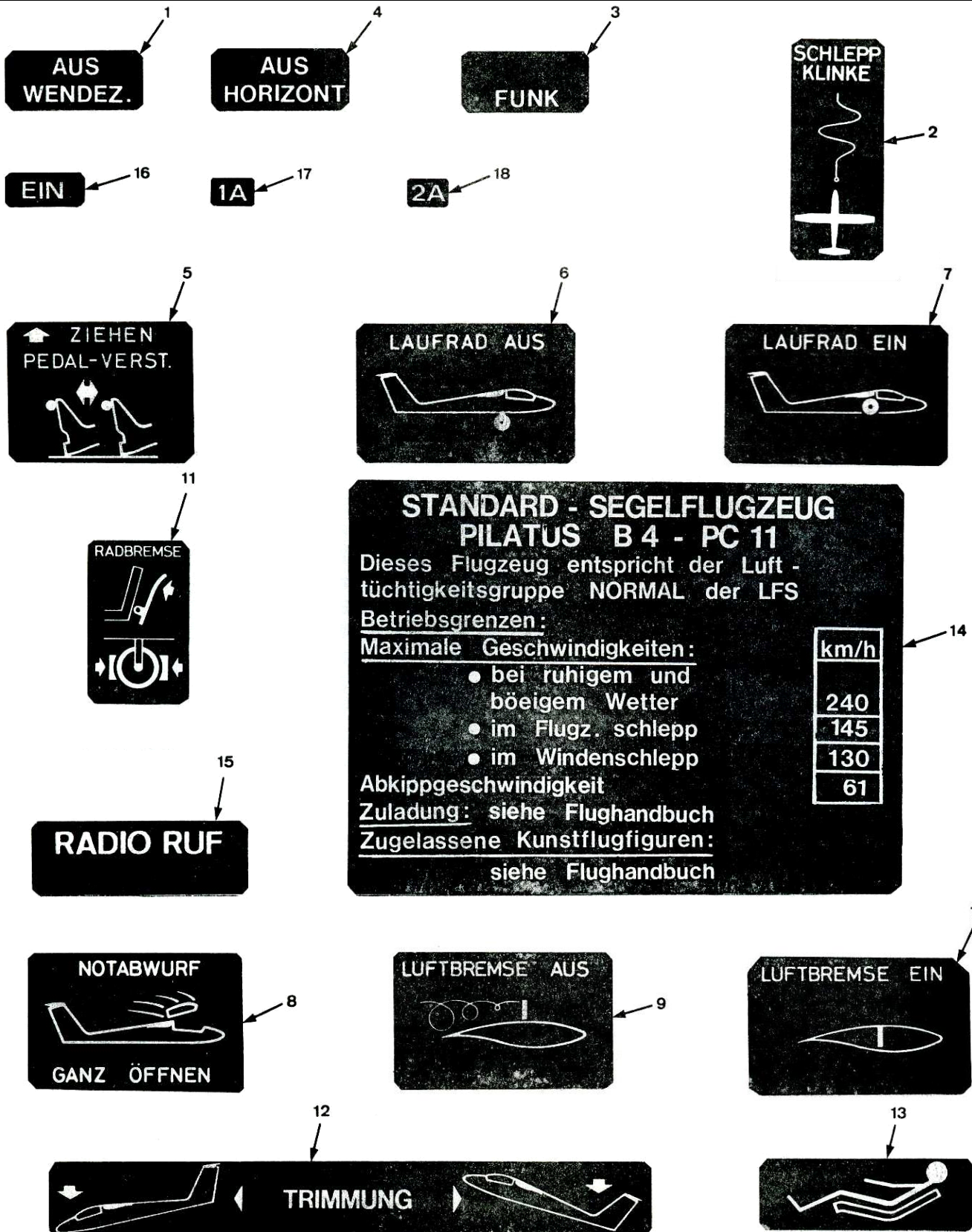
PILATUS B4-PC11

ALL METAL SAILPLANE

SPARE PARTS CATALOGUE

Figure 0/1/1

Placards



PILATUS B4-PC11

ALL METAL SAILPLANE

SPARE PARTS CATALOGUE

Figure & Pos No	No Off	Description	Part No.
0/1/1		Placards	
-1	1	Placard	110.70.11.003
-2	1	Placard	110.70.11.004
-3	1	Placard (Valid only if radio installed)	110.70.11.005
-4	1	Placard	110.70.11.006
-5	1	Placard	110.70.11.007
-6	1	Placard (Valid only for retractable landing gear)	110.70.11.008
-7	1	Placard (Valid only for retractable landing gear)	110.70.11.009
-8	1	Placard (Colour red)	110.70.11.013
-9	1	Placard	110.70.11.014
-10	1	Placard	110.70.11.015
-11	1	Placard	110.70.11.016
-12	1	Placard	110.70.11.017
-13	1	Placard	110.70.11.019
-14	1	Placard	110.70.11.038
-15	1	Placard (Valid only if radio installed)	110.70.11.053
-16	1	Placard	110.70.11.065
-17	1	Placard	110.70.11.050
-18	1	Placard	110.70.11.051

PILATUS B4-PC11

ALL METAL SAILPLANE

SPARE PARTS CATALOGUE

Figure 0/1/3

Placards

Kontrolle vor dem Start

- Fallschirm klar
- Sitzpos. und Pedale eingestellt
- Anschlaggurte fest
- Capot verriegelt
- Höhenmesser kontrolliert
- Bremsklappen eingerastet
- Laufrad verriegelt
- Trimmung auf Startstellung
- Seil ein
- Steuerung freigängig

2

Kontrolle vor dem Start

- Fallschirm klar
- Sitzpos. und Pedale eingestellt
- Anschlaggurte fest
- Capot verriegelt
- Höhenmesser kontrolliert
- Bremsklappen eingerastet
- Trimmung auf Startstellung
- Seil ein
- Steuerung freigängig

1

DO NOT PUSH

6

STATIC PRESSURE
KEEP CLEAR

5

1.7 Bar
24 psi

3

1.9 Bar
27 psi

4

BALLAST
MANEUVERING TAIL WHEEL

7

WARNING
REMOVE LOCKING DEVICE
BEFORE WINCH LAUNCH
RATED LOAD 1100 ± 110 lbs

9

PILATUS
B4

8

PILATUS B4-PC11

ALL METAL SAILPLANE

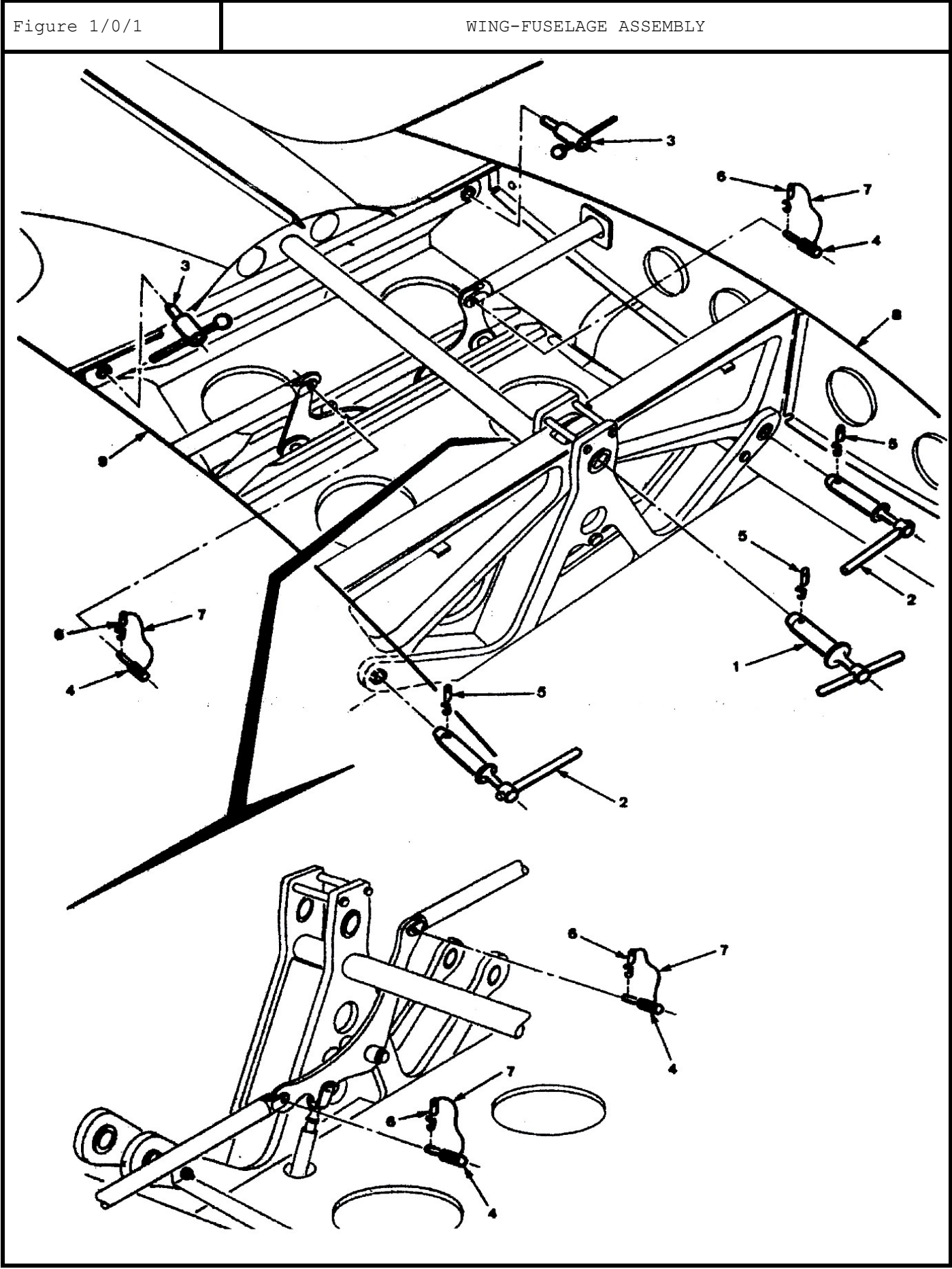
SPARE PARTS CATALOGUE

Figure & Pos No	No Off	Description	Part No.
0/1/3		Placards	
-1	1	Placard (only for fixed landing gear)	110.70.11.036
-2	1	Placard (only for retractable landing gear)	110.70.11.037
-3	1	Placard Transparent self-adhesive	110.70.11.042
-4	1	Placard Transparent self-adhesive	110.70.11.043
-5	1	Placard Transparent self-adhesive	110.70.11.044
-6	1	Placard Transparent self-adhesive	110.70.11.045
-7	1	Placard Transparent self-adhesive	110.70.11.055
-8	1	Decal Self-adhesive (Size 400 x 90mm)	110.70.11.057
-9	1	Placard Transparent self-adhesive	110.70.11.063

PILATUS B4-PC11

ALL METAL SAILPLANE

SPARE PARTS CATALOGUE



PILATUS B4-PC11

ALL METAL SAILPLANE

SPARE PARTS CATALOGUE

Figure & Pos No	No Off	Description	Part No.
1/0/1		Wing-Fuselage Assembly	
-1	1	Main spar centre pin	111.30.11.003
-2	2	Main spar lower pin	111.30.11.006
-3	2	Drag spar pin	111.30.11.011
-4	4	Controls pin	116.35.11.070
-5	3	Main pins securing clips NB 1110	940.17.29.204
-6	4	Controls pin securing clips NB 1110	940.17.29.202
-7	div.	Control pin clip securing lanyard	917.54.16.495
-8	1	Left wing (See Fig. 1/1/1)	
-9-	1	Right wing (See Fig. 1/1/10)	

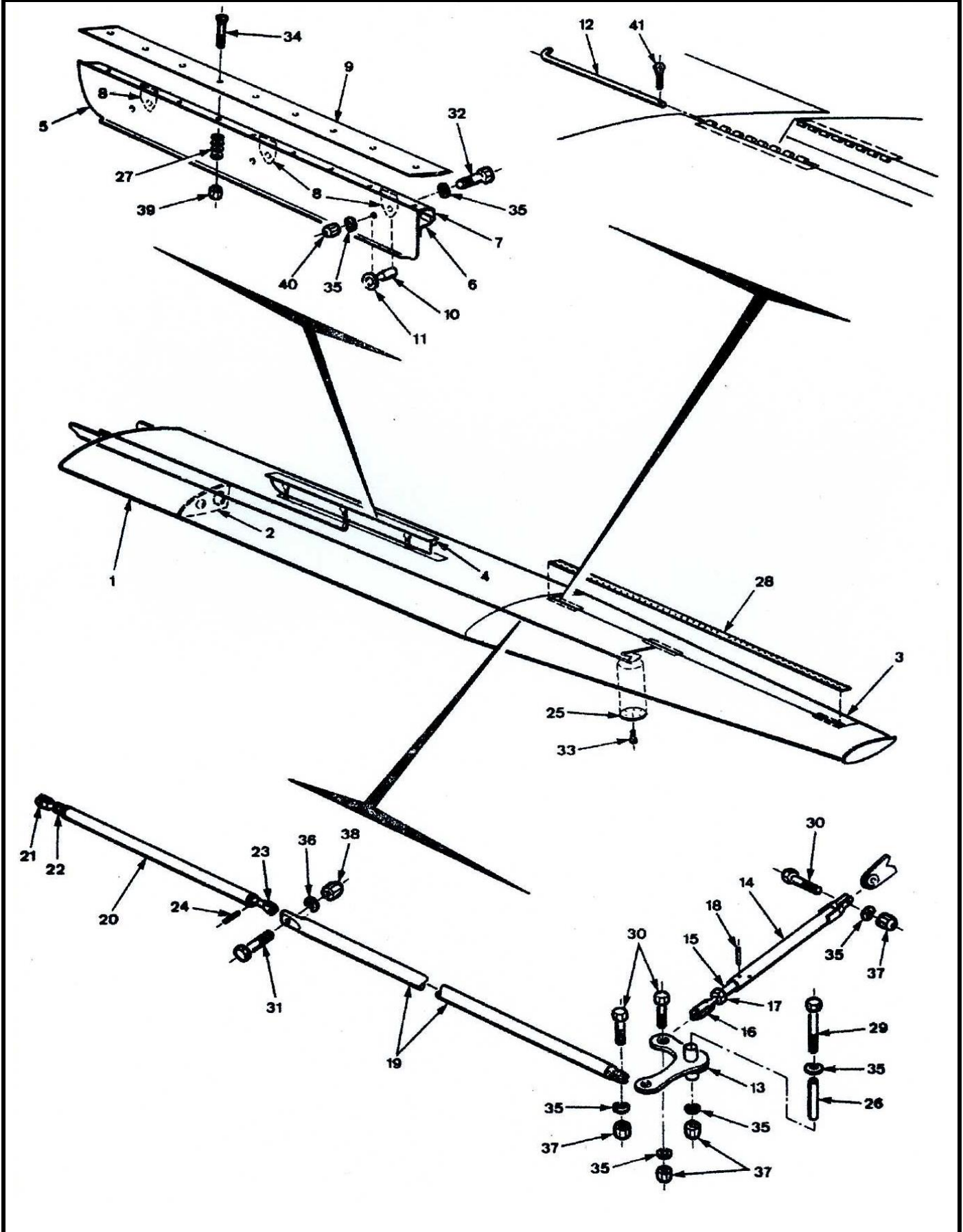
PILATUS B4-PC11

ALL METAL SAILPLANE

SPARE PARTS CATALOGUE

Figure 1/1/1

LEFT WING



PILATUS B4-PC11

ALL METAL SAILPLANE

SPARE PARTS CATALOGUE

Figure & Pos No	No Off	Description	Part No.
1/1/1		Left Wing Assembly	
-1	1	Left Wing Complete	111.30.11,013
-2	1	Wing Rib (See Fig. 1/1/3)	
-3	1	Left Aileron (See Fig. 1/2/1)	
-4	1	Left Airbrake	111.55.11.047
-5	1	Airbrake panel	111.55.11.039
-6	1	Z Profile	111.55.11.038
-7	1	U Profile	111.55.11.041
-8	3	Connecting Lug	111.55.11.049
-9	1	Cover Plate	111.55.11.045
-10	3	Bush	111,55.11.037
-11	3	U-Washer	111.55.11.050
-12	3	Hinge pin	111.45.11.047
-13	1	Aileron control lever	116.35.11.005
-14	1	Aileron control push rod	116.35.11.010
-15	1	Pushrod end	116.35.11.009
-16	1	Fork	116.35.11.016
-17	1	Lock nut AN 316-4R	938.02.27.102
-18	2	Rivet pin SNV-L 26308	940.29.09.349
-19	1	Aileron control push rod	116.35.11,018
-20	1	Aileron control push rod	116.35.11.079
-21	1	Fork	116.35.11.016
-22	1	Lock nut AN 316-4R	938.02.27.102
-23	1	Hinge pin SPHERCO TRE-4	944.61.12.102
-24	1	Rivet pin DIN 1471 6S	940.18.01.019
-25	1	Cover	110.65.11.009
-26	1	Bush	116.35.11.004
-27	9	Pressure spring	6266.0016.01
-28	1	Teflon adhesive tape 0.19 X 2.8	917.40.70.009
-29	1	3/16 screw AN 173-17A	932.19.24.075
-30	3	3/16 screw AN 173-C7A	932.19.60.422
-31	1	1/4 screw AN 174-C7A	932.19.60.445
-32	3	3/16 screw AN 3-13A	932.19.21.033
-33	6	Countersunk screw AN 507-632-8	933.45.16.126
-34	9	Countersunk screw 100° MS 24694-C12	933.71.61.312
-35	11	U-Washer AN 960-10L	938.77.11.112
-36	1	U-Washer AN 960-416L	938.77.11.114
-37	4	3/16 Nut AN 365-1032	938.07.18.143
-38	1	3/16 Nut AN 365-428	938.07.18.114
-39	9	3/16 Nut AN 364-832	938.07.18.122
-40	3	3/16 Nut AN 364-1032	938.07.18.123
-41	3	Split pin DIN 94	940.17.00.323

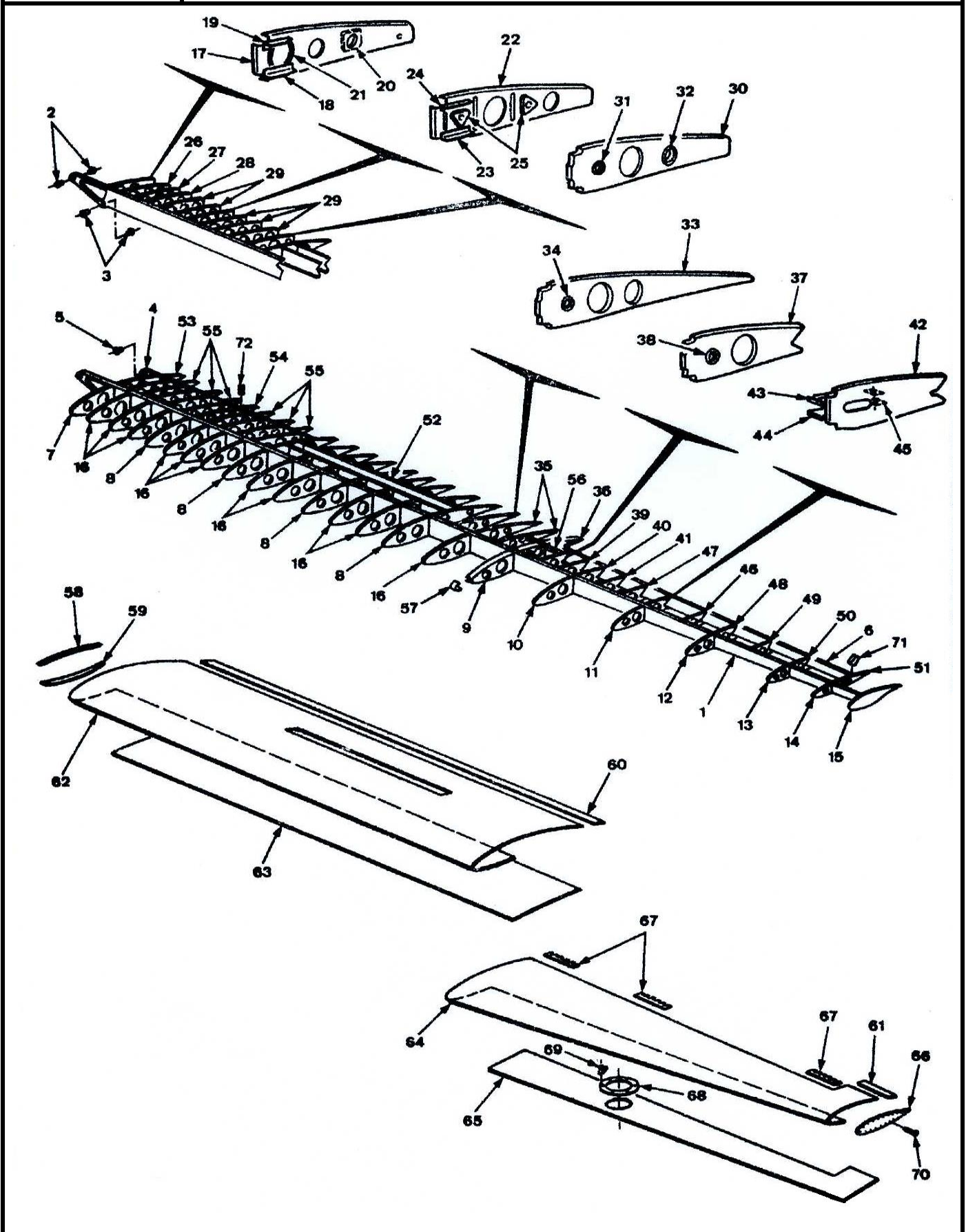
PILATUS B4-PC11

ALL METAL SAILPLANE

SPARE PARTS CATALOGUE

Figure 1/1/3

LEFT WING



PILATUS B4-PC11

ALL METAL SAILPLANE

SPARE PARTS CATALOGUE

Figure & Pos No	No Off	Description	Part No.
1/1/3		Left wing framework and skin	111.35.11.239
-1	1	Left Main Spar	111.35.11.043
-2	2	Bush	111.35.11.003
-3	2	Bush	111.35.11.004
-4	1	Left Rear Spar	111.35.11.015
-5	1	Bush	111.35.11.009
-6	1	Left Aileron auxiliary spar	111.35.11.113
-7	1	Nose rib 1	111.35.11.085
-8	4	Nose rib 2-5	111.35.11.086
-9	1	Nose rib 6	111.35.11.087
-10	1	Nose rib 7	111.35.11.089
-11	1	Nose rib 8	111.35.11.091
-12	1	Nose rib 9	111.35.11.093
-13	1	Nose rib 10	111.35.11.095
-14	1	Nose rib 11	111.35.11.097
-15	1	Rib 12	111.35.11.135
-16	11	Nose rib (Foam)	111.35.11.175
-17	1	Midrib 1	111.35.11.049
-18	1	reinforcing angles	111.35-11-067
-19	1	reinforcing angles	111.35.11.068
-20	1	Guide Flange	111.35-11.064
-21	div.	Edge Trim No. A-671. 4 PVC 340 mm long	917.53.82.003
-22	1	Midrib 2	111.35.11.235
-23	1	Reinforcing angles	111.35.11.071
-24	1	Reinforcing angles	111.35.11.072
-25	2	Guide Flange	116.35.11.001
-26	1	Midrib (Foam)	111.35.11.176
-27	1	Midrib (Foam)	111.35.11.177
-28	1	Midrib (Foam)	111.35.11.180
-29	5	Midrib (Foam)	111.35.11.178
-30	1	Midrib (Foam)	111.35.11.179
-31	1	Felt 4 mm	111.35.11.163
-32	1	Felt 4 mm	111.35.11.245
-33	1	Midrib (Foam)	111.35.11.196
-34	1	Felt 4 mm	111.35.11.163
-35	2	Midrib (Foam)	111.35.11.197
-36	1	Midrib 6	111.35.11.123
-37	1	Midrib (Foam)	111.35.11.161
-38	1	Felt 4 mm	111.35.11.163
-39	1	Midrib (Foam)	111.35.11.164
-40	1	Midrib 7	111.35-11.125
-41	1	Midrib (Foam)	111.35.11.165
-42	1	Midrib 8	111.35.11.127
-43	1	Carrier	111.35.11.143
-44	1	Carrier	111.35.11.145
-45	2	Double	112.35.11.082
-46	1	Midrib (Foam)	111.35.11.170
-47	1	Midrib (Foam)	111.35-11.166
-48	1	Midrib 9	111.35.11.129
-49	1	Midrib (Foam)	111.35.11.171
-50	1	Midrib 10	111.35.11.131
-51		Midrib 11	111.35.11.132
-52		Left Air brake	(See Fig 1/1/5)
-53		End rib	111.35.11.062
-54		End rib	111.35.11.061
-55		End rib (Foam)	111.35.11.181
-56		Stringer	111.35.11.120

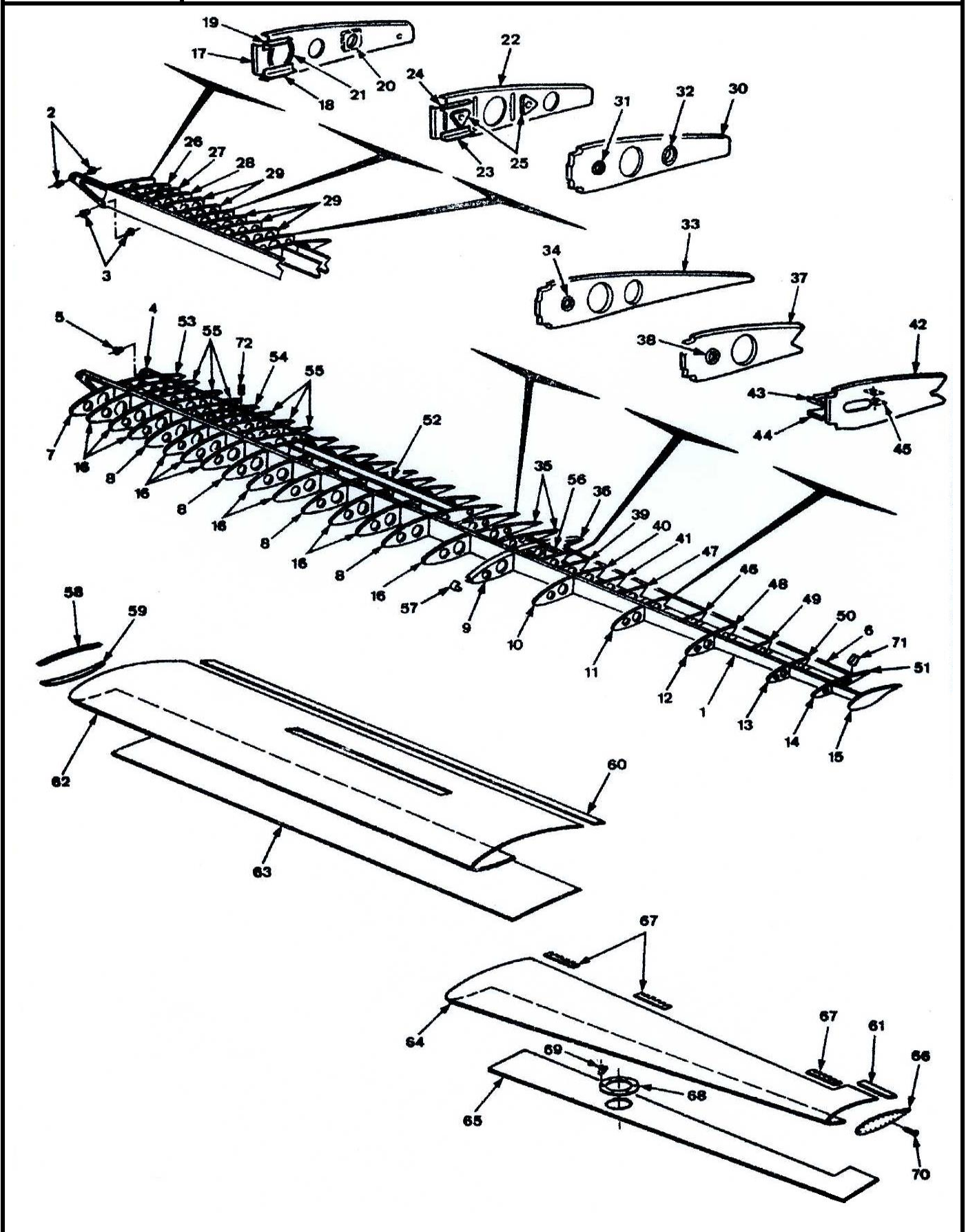
PILATUS B4-PC11

ALL METAL SAILPLANE

SPARE PARTS CATALOGUE

Figure 1/1/3

LEFT WING



PILATUS B4-PC11

ALL METAL SAILPLANE

SPARE PARTS CATALOGUE

Figure & Pos No	No Off	Description	Part No.
1/1/3			
-57	1	Flap	111.35.11.060
-58	1	Flap top	111.35.11.066
-59	1	Flap Bottom	111.35.11.206
-60	1	Trailing edge	111.35.11.201
-61	1	Trailing edge	111.35.11.202
-62	1	Wing skin	111.35.11.188
-63	1	Wing skin	111.35.11.192
-64	1	Wing skin	111.35.11.190
-66	1	Wing skin	111.35.11.194
-66	1	End plate	111.35.11.121
-67	3	Hinge	111.35.11.020
-68	1	Cover frame	111.35.11.195
-69	6	Frame fastener AN 366 F 632	938.42.28.101
-70	6	Countersunk head screw No 4 x 1/4"	933.83.01.103
-71	1	Connecting plate	111.35.11.246
-72	1	Connecting angle	111.35.11.185

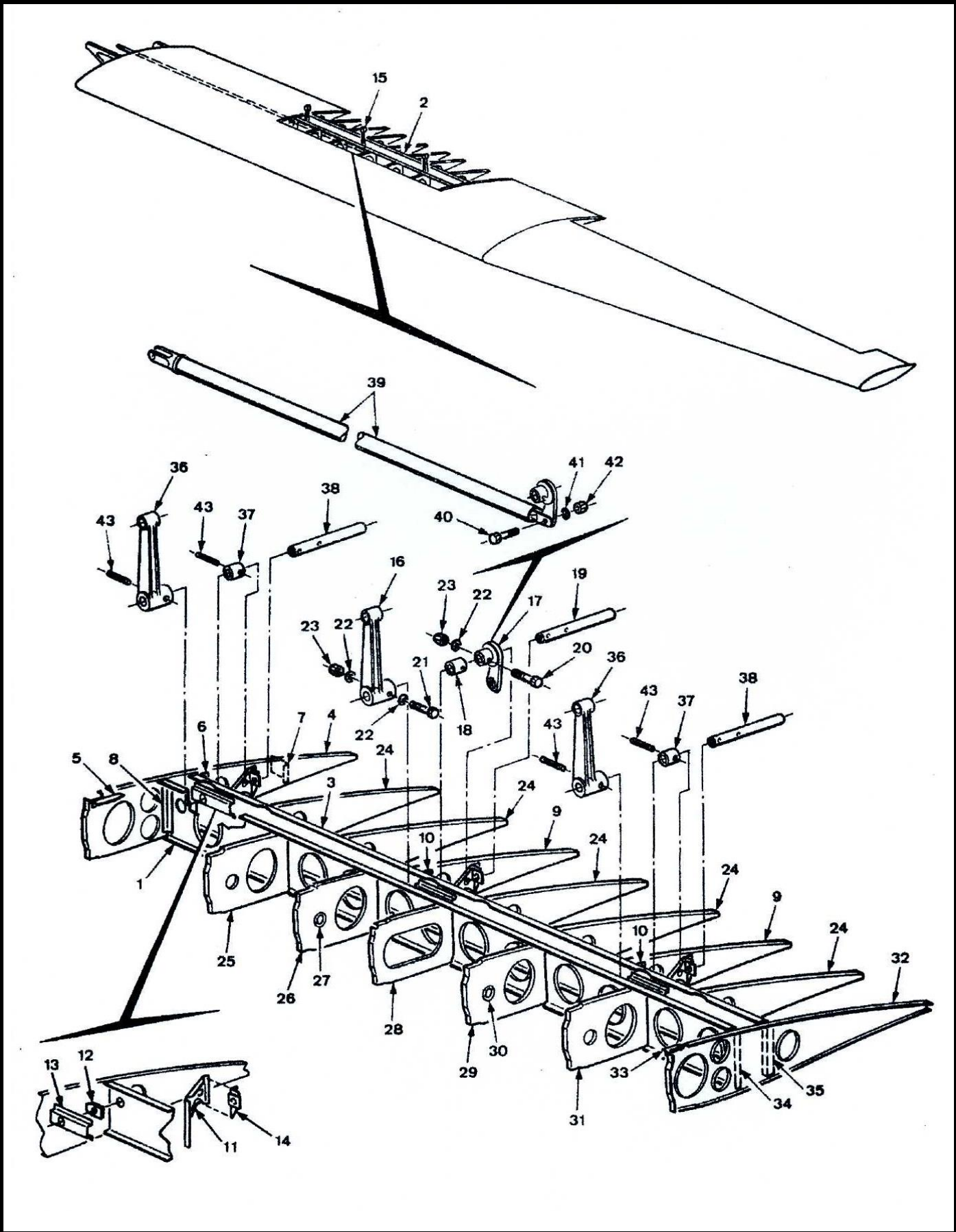
PILATUS B4-PC11

ALL METAL SAILPLANE

SPARE PARTS CATALOGUE

Figure 1/1/5

LEFT AIRBRAKE



PILATUS B4-PC11

ALL METAL SAILPLANE

SPARE PARTS CATALOGUE

Figure & Pos No	No Off	Description	Part No.
1/1/5		Airbrake framework and skin left	
-1	1	Airbrake spar Left Front	111.35.11.207
-2	1	Airbrake spar additional Left Rear	111.35.11.241
-3	1	Airbrake spar Left Rear	111.35.11.209
-4	1	Midrib 3	111.35.11.231
-5	1	Reinforcing angles	111.35.11.072
-6	1	Connection angle	111.35.11.218
-7	1	Connection angle	111.35.11.076
-8	1	Connection angle	111.35.11.073
-9	2	End rib 3a and 4a	111.35.11.223
-10	1	Connection angle	111.35.11.219
-11	3	Angular rib	111.35.11.213
-12	3	Bearing	111.35.11.225
-13	3	Bearing cage	111.35.11.224
-14	3	Additional bearing Left	111.35.11.215
-15	1	Additional Lever Left	111.42.11.043
-16	1	Lever	111.55.11.001
-17	1	Additional Lever Left	111.42.11.043
-18	1	Spacer tube	111.42.11.048
-19	1	Shaft	111.42.11.046
-20	1	3/16-Screw	AN 173 C12 932.19.60.407
-21	1	3/16-Screw	AN 173 C14A 932.19.60.425
-22	3	Plain Washer	AN 960-10 938.77.11.113
-23	2	3/16 Nut	AN 365-1032 938.07.18.143
-24	5	End rib (Foam)	111.35.11.237
-25	1	Midrib (Foam)	111.35.11.184
-26	1	Midrib (Foam)	111.35.11.183
-27	1	Felt 4mm	111.35.11.163
-28	1	Midrib 4	111.35.11.236
-29	1	Midrib (Foam)	111.35.11.199
-30	1	Felt 4mm	111.35.11.163
-31	1	Midrib (Foam)	111.35.11.200
-32	1	Midrib 5	111.35.11.229
-33	1	Reinforcing angles	111.35.11.071
-34	1	Connecting angles	111.35.11.073
-35	1	Connecting angles	111.35.11.219
-36	2	Lever	111.55.11.001
-37	2	Spacer tube	116.42.11.048
-38	2	Shaft	116.42.11.047
-39	1	Pushrod	116.42.11.040
-40	1	3/16-Screw	AN 173 C7A 932.19.60.422
-41	1	Plain Washer	AN 960-10L 938.77.11.112
-42	1	3/16 Nut	AN 365-1032 938.07.18.143
-43	4	Collet 4 x 30	DIN 1481 940.17.55.706

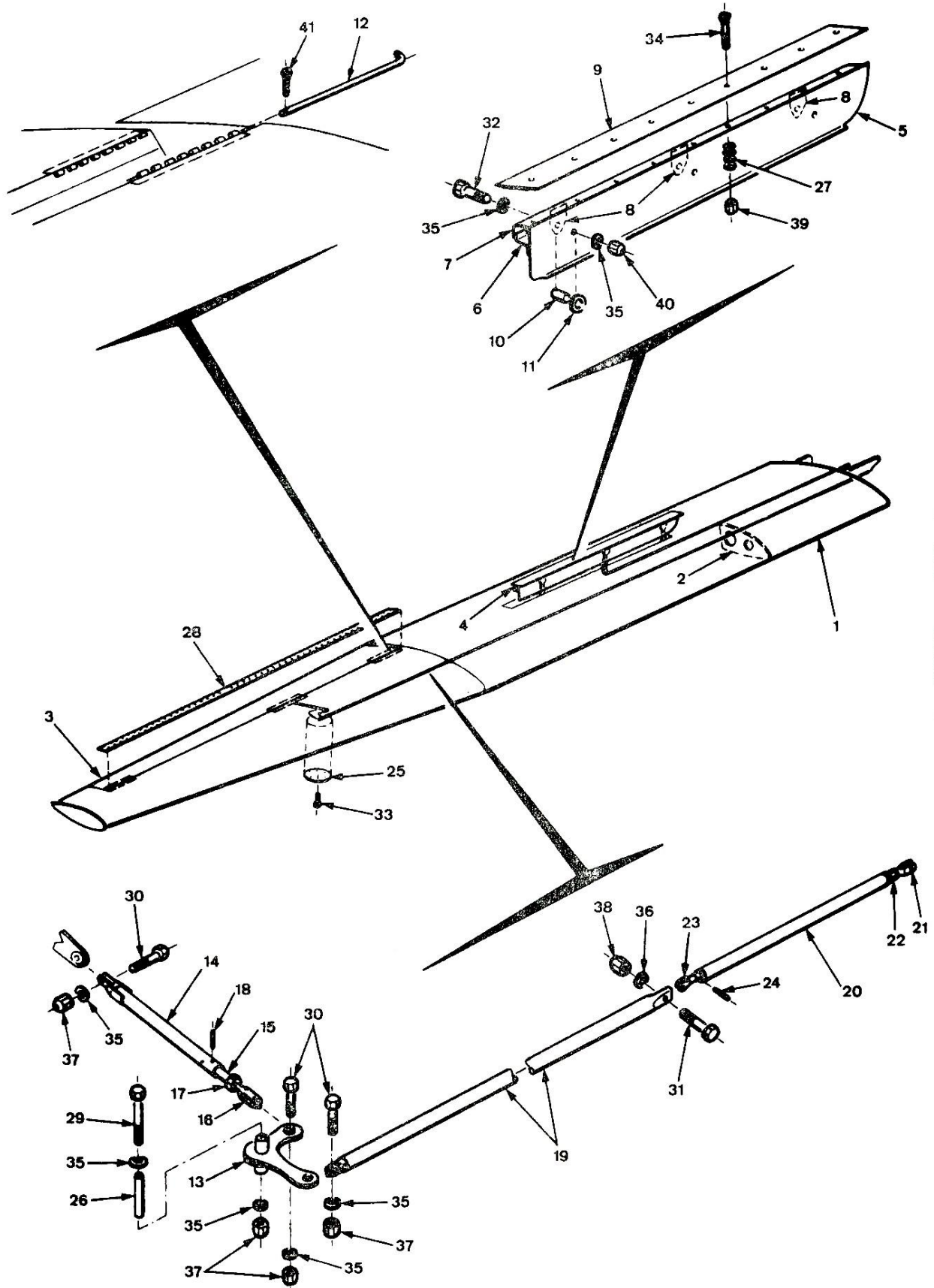
PILATUS B4-PC11

ALL METAL SAILPLANE

SPARE PARTS CATALOGUE

Figure 1/1/10

RIGHT WING



PILATUS B4-PC11

ALL METAL SAILPLANE

SPARE PARTS CATALOGUE

Figure & Pos No	No Off	Description	Part No.
1/1/10		Left Wing Assembly	
-1	1	Left Wing Complete	111.30.11,013
-2	1	Wing Rib (See Fig. 1/1/3)	
-3	1	Left Aileron (See Fig. 1/2/1)	
-4	1	Left Airbrake	111.55.11.047
-5	1	Airbrake panel	111.55.11.039
-6	1	Z Profile	111.55.11.038
-7	1	U Profile	111.55.11.041
-8	3	Connecting Lug	111.55.11.049
-9	1	Cover Plate	111.55.11.045
-10	3	Bush	111,55.11.037
-11	3	U-Washer	111.55.11.050
-12	3	Hinge pin	111.45.11.047
-13	1	Aileron control lever	116.35.11.005
-14	1	Aileron control push rod	116.35.11.010
-15	1	Pushrod end	116.35.11.009
-16	1	Fork	116.35.11.016
-17	1	Lock nut AN 316-4R	938.02.27.102
-18	2	Rivet pin SNV-L 26308	940.29.09.349
-19	1	Aileron control push rod	116.35.11,018
-20	1	Aileron control push rod	116.35.11.079
-21	1	Fork	116.35.11.016
-22	1	Lock nut AN 316-4R	938.02.27.102
-23	1	Hinge pin SPHERCO TRE-4	944.61.12.102
-24	1	Rivet pin DIN 1471 6S	940.18.01.019
-25	1	Cover	110.65.11.009
-26	1	Bush	116.35.11.004
-27	9	Pressure spring	6266.0016.01
-28	1	Teflon adhesive tape 0.19 X 2.8	917.40.70.009
-29	1	3/16 screw AN 173-17A	932.19.24.075
-30	3	3/16 screw AN 173-C7A	932.19.60.422
-31	1	3/16 screw AN 174-C7A	932.19.60.445
-32	3	3/16 screw AN 3-13A	932.19.21.033
-33	6	Countersunk screw AN 507-632-8	933.45.16.126
-34	9	Countersunk screw 100° MS 24694-C12	933.71.61.312
-35	11	U-Washer AN 960-10L	938.77.11.112
-36	1	U-Washer AN 960-416L	938.77.11.114
-37	4	3/16 Nut AN 365-1032	938.07.18.143
-38	1	3/16 Nut AN 365-428	938.07.18.114
-39	9	3/16 Nut AN 364-832	938.07.18.122
-40	3	3/16 Nut AN 364-1032	938.07.18.123
-41	3	Split pin DIN 94	940.17.00.323

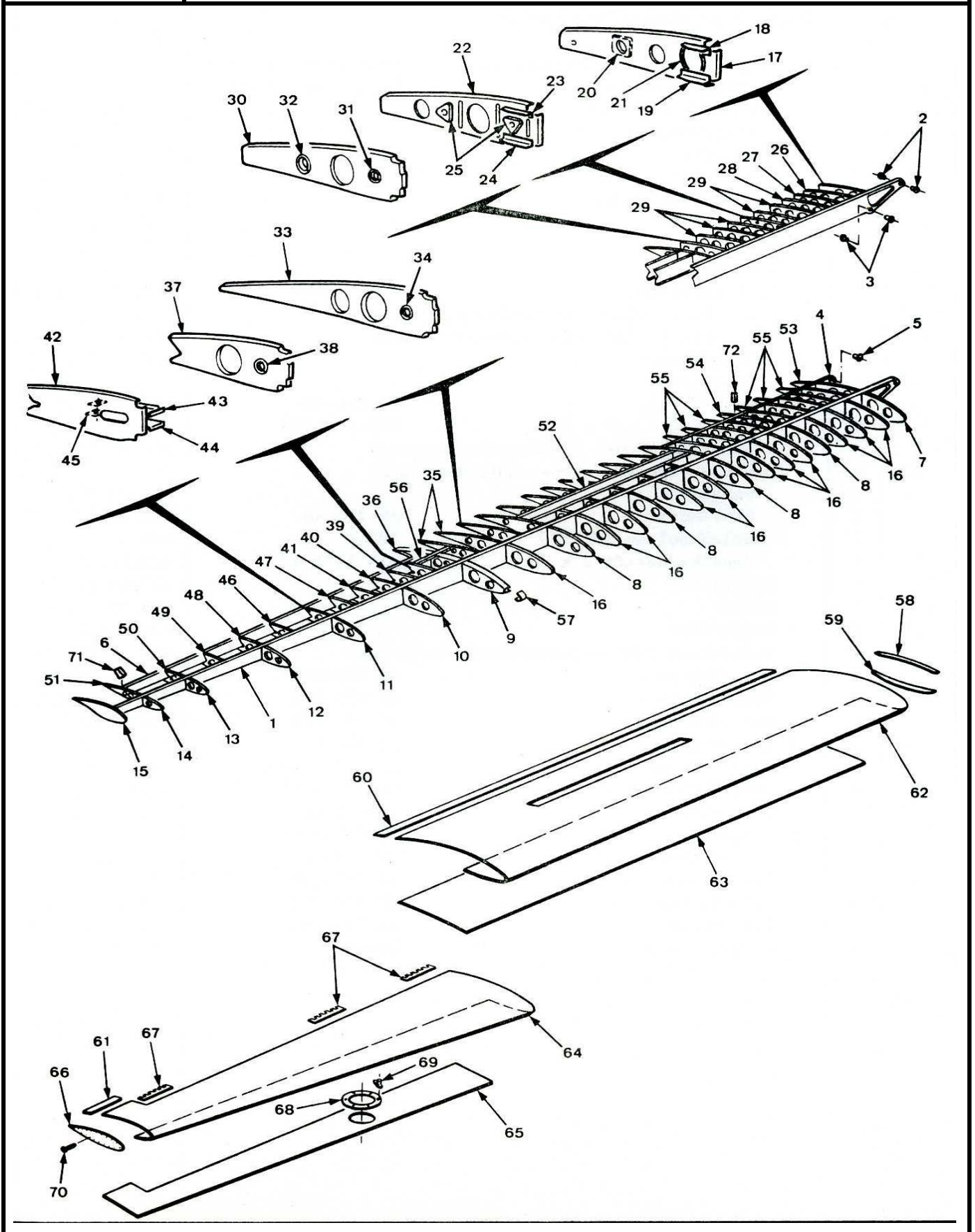
PILATUS B4-PC11

ALL METAL SAILPLANE

SPARE PARTS CATALOGUE

Figure 1/1/12

RIGHT WING



PILATUS B4-PC11

ALL METAL SAILPLANE

SPARE PARTS CATALOGUE

Figure & Pos No	No Off	Description	Part No.
1/1/12		Left wing framework and skin	111.35.11.239
-1	1	Left Main Spar	111.35.11.043
-2	2	Bush	111.35.11.003
-3	2	Bush	111.35.11.004
-4	1	Left Rear Spar	111.35.11.015
-5	1	Bush	111.35.11.009
-6	1	Left Aileron auxiliary spar	111.35.11.113
-7	1	Nose rib 1	111.35.11.085
-8	4	Nose rib 2-5	111.35.11.086
-9	1	Nose rib 6	111.35.11.087
-10	1	Nose rib 7	111.35.11.089
-11	1	Nose rib 8	111.35.11.091
-12	1	Nose rib 9	111.35.11.093
-13	1	Nose rib 10	111.35.11.095
-14	1	Nose rib 11	111.35.11.097
-15	1	Rib 12	111.35.11.135
-16	11	Nose rib (Foam)	111.35.11.175
-17	1	Midrib 1	111.35.11.049
-18	1	reinforcing angles	111.35-11-067
-19	1	reinforcing angles	111.35.11.068
-20	1	Guide Flange	111.35-11.064
-21	div.	Edge Trim No. A-671. 4 PVC 340 mm long	917.53.82.003
-22	1	Midrib 2	111.35.11.235
-23	1	Reinforcing angles	111.35.11.071
-24	1	Reinforcing angles	111.35.11.072
-25	2	Guide Flange	116.35.11.001
-26	1	Midrib (Foam)	111.35.11.176
-27	1	Midrib (Foam)	111.35.11.177
-28	1	Midrib (Foam)	111.35.11.180
-29	5	Midrib (Foam)	111.35.11.178
-30	1	Midrib (Foam)	111,35.11.179
-31	1	Felt 4 mm	111.35.11.163
-32	1	Felt 4 mm	111.35.11.245
-33	1	Midrib (Foam)	111.35.11.196
-34	1	Felt 4 mm	111.35.11.163
-35	2	Midrib (Foam)	111.35.11.197
-36	1	Midrib 6	111.35.11.123
-37	1	Midrib (Foam)	111.35.11.161
-38	1	Felt 4 mm	111.35.11.163
-39	1	Midrib (Foam)	111.35.11.164
-40	1	Midrib 7	111.35-11.125
-41	1	Midrib (Foam)	111.35.11.165
-42	1	Midrib 8	111.35.11.127
-43	1	Carrier	111.35.11.143
-44	1	Carrier	111.35.11.145
-45	2	Double	112.35.11.082
-46	1	Midrib (Foam)	111.35.11.170
-47	1	Midrib (Foam)	111.35-11.166
-48	1	Midrib 9	111.35.11.129
-49	1	Midrib (Foam)	111.35.11.171
-50	1	Midrib 10	111.35.11.131
-51		Midrib 11	111.35.11.132
-52		Left Air brake	(See Fig 1/1/5)
-53		End rib	111.35.11.062
-54		End rib	111.35.11.061
-55		End rib (Foam)	111.35.11.181
-56		Stringer	111.35.11.120

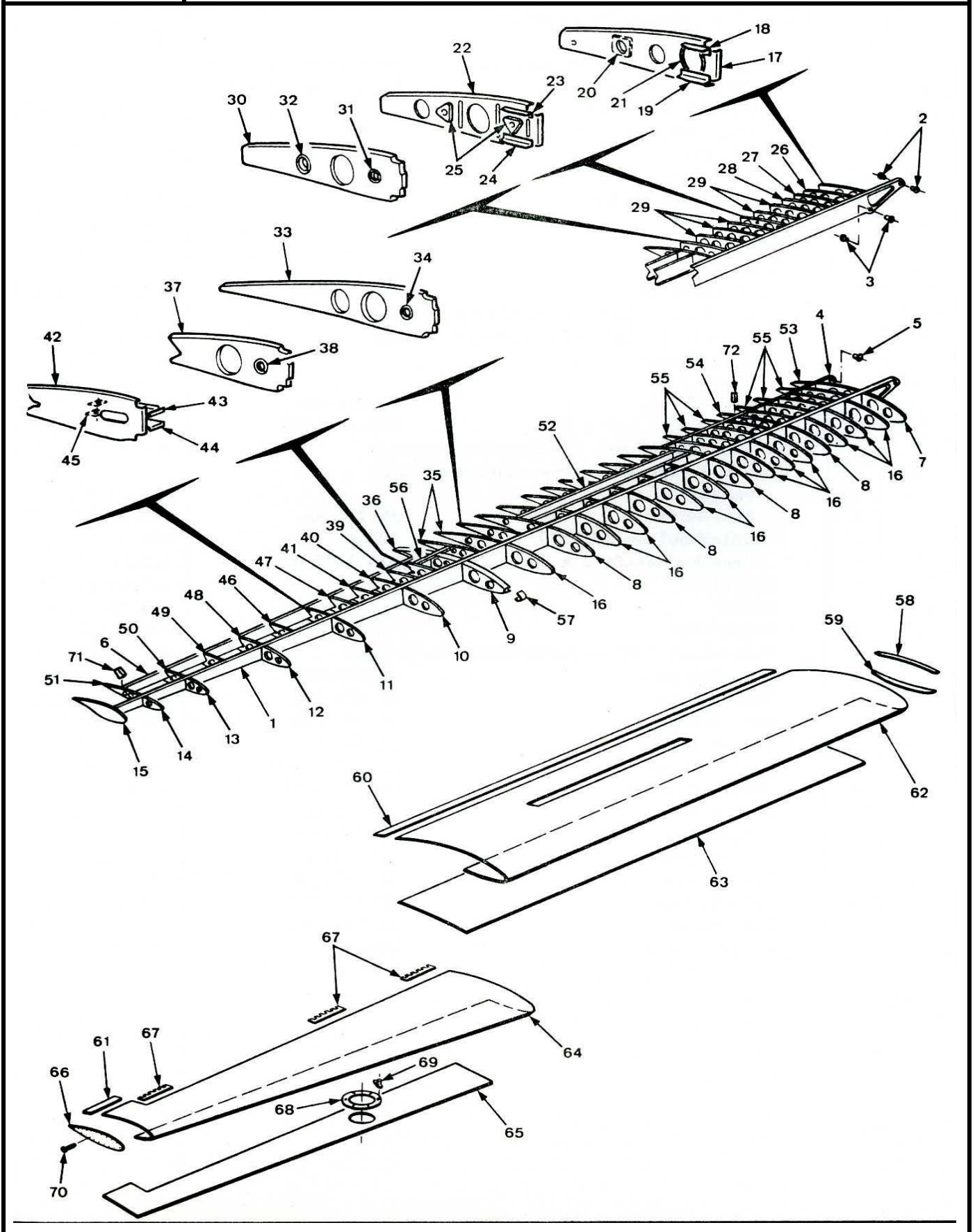
PILATUS B4-PC11

ALL METAL SAILPLANE

SPARE PARTS CATALOGUE

Figure 1/1/12

RIGHT WING



PILATUS B4-PC11

ALL METAL SAILPLANE

SPARE PARTS CATALOGUE

Figure & Pos No	No Off	Description	Part No.
1/1/12			
-57	1	Flap	111.35.11.060
-58	1	Flap top	111.35.11.066
-59	1	Flap Bottom	111.35.11.206
-60	1	Trailing edge	111.35.11.201
-61	1	Trailing edge	111.35.11.202
-62	1	Wing skin	111.35.11.188
-63	1	Wing skin	111.35.11.192
-64	1	Wing skin	111.35.11.190
-66	1	Wing skin	111.35.11.194
-66	1	End plate	111.35.11.121
-67	3	Hinge	111.35.11.020
-68	1	Cover frame	111.35.11.195
-69	6	Frame fastener	AN 366 F 632 938.42.28.101
-70	6	Countersunk head screw No 4 x 1/4"	933.83.01.103
-71	1	Connecting plate	111.35.11.246
-72	1	Connecting angle	111.35.11.185

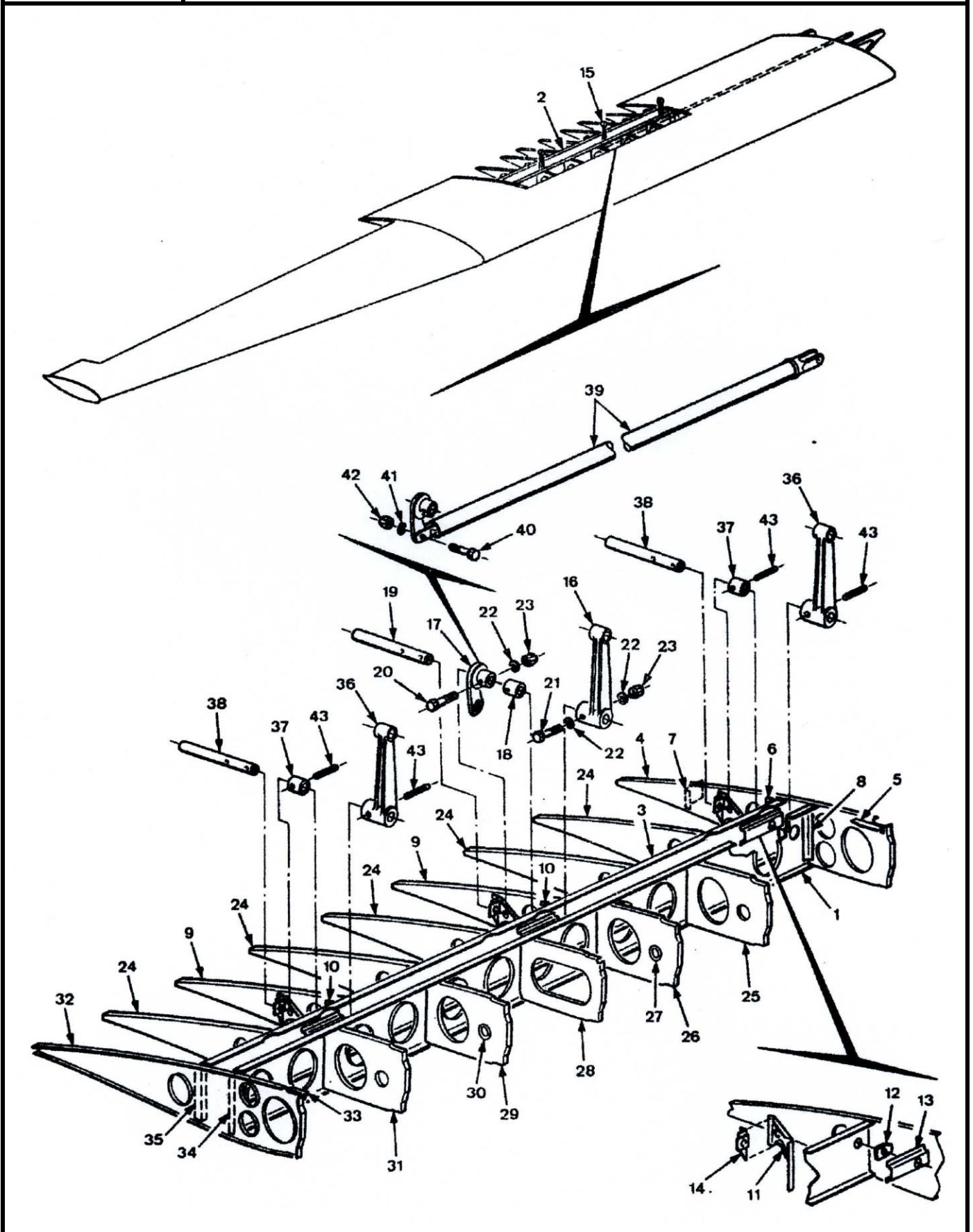
PILATUS B4-PC11

ALL METAL SAILPLANE

SPARE PARTS CATALOGUE

Figure 1/1/14

RIGHT AIRBRAKE



PILATUS B4-PC11

ALL METAL SAILPLANE

SPARE PARTS CATALOGUE

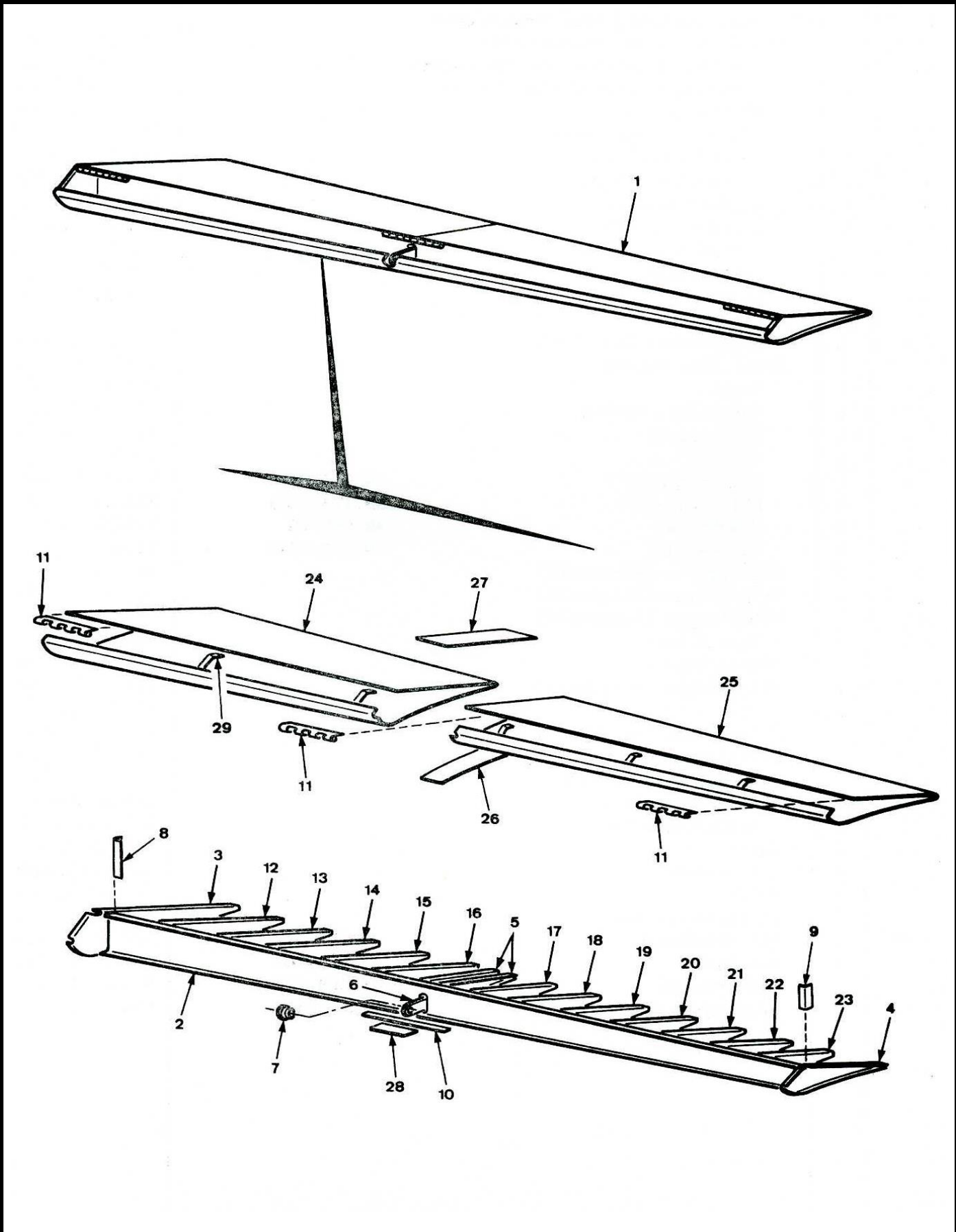
Figure & Pos No	No Off	Description	Part No.
1/1/14		Airbrake framework and skin left	
-1	1	Airbrake spar Left Front	111.35.11.207
-2	1	Airbrake spar additional Left Rear	111.35.11.241
-3	1	Airbrake spar Left Rear	111.35.11.209
-4	1	Midrib 3	111.35.11.231
-5	1	Reinforcing angles	111.35.11.072
-6	1	Connection angle	111.35.11.218
-7	1	Connection angle	111.35.11.076
-8	1	Connection angle	111.35.11.073
-9	2	End rib 3a and 4a	111.35.11.223
-10	1	Connection angle	111.35.11.219
-11	3	Angular rib	111.35.11.213
-12	3	Bearing	111.35.11.225
-13	3	Bearing cage	111.35.11.224
-14	3	Additional bearing Left	111.35.11.215
-15	1	Additional Lever Left	111.42.11.043
-16	1	Lever	111.55.11.001
-17	1	Additional Lever Left	111.42.11.043
-18	1	Spacer tube	111.42.11.048
-19	1	Shaft	111.42.11.046
-20	1	3/16-Screw	AN 173 C12 932.19.60.407
-21	1	3/16-Screw	AN 173 C14A 932.19.60.425
-22	3	Plain Washer	AN 960-10 938.77.11.113
-23	2	3/16 Nut	AN 365-1032 938.07.18.143
-24	5	End rib (Foam)	111.35.11.237
-25	1	Midrib (Foam)	111.35.11.184
-26	1	Midrib (Foam)	111.35.11.183
-27	1	Felt 4mm	111.35.11.163
-28	1	Midrib 4	111.35.11.236
-29	1	Midrib (Foam)	111.35.11.199
-30	1	Felt 4mm	111.35.11.163
-31	1	Midrib (Foam)	111.35.11.200
-32	1	Midrib 5	111.35.11.229
-33	1	Reinforcing angles	111.35.11.071
-34	1	Connecting angles	111.35.11.073
-35	1	Connecting angles	111.35.11.219
-36	2	Lever	111.55.11.001
-37	2	Spacer tube	116.42.11.048
-38	2	Shaft	116.42.11.047
-39	1	Pushrod	116.42.11.040
-40	1	3/16-Screw	AN 173 C7A 932.19.60.422
-41	1	Plain Washer	AN 960-10L 938.77.11.112
-42	1	3/16 Nut	AN 365-1032 938.07.18.143
-43	4	Collet 4 x 30	DIN 1481 940.17.55.706

PILATUS B4-PC11

ALL METAL SAILPLANE SPARE PARTS CATALOGUE

Figure 1/2/1

LEFT AILERON



PILATUS B4-PC11

ALL METAL SAILPLANE

SPARE PARTS CATALOGUE

Figure & Pos No	No Off	Description	Part No.
1/2/1	1	Ailerons	
-1	1	Aileron left Assembly	111.45.11.001
-2	1	Spar	111.45.11.003
-3	1	Rib 6A	111.45.11.005
-4	1	Rib 11A	111.45.11.011
-5	1	Connecting rib Assy.	111.45.11.017
-6	1	Connection fitting	111.45.11.015
-7	1	Aligning ball bearings AN 200 KS 3	940.83.28.607
-8	1	Angle inner	111.45.11.013
-9	1	Angle outer	111.45.11.014
-10	1	Double	111.45.11.019
-11	3	Hinge	111.45.11.020
-12	1	End rib (Klegecell foam)	111.45.11.023
-13	1	End rib (Klegecell foam)	111.45.11.025
-14	1	End rib (Klegecell foam)	111.45.11.027
-15	1	End rib (Klegecell foam)	111.45.11.029
-16	1	End rib (Klegecell foam)	111.45.11.031
-17	1	End rib (Klegecell foam)	111.45.11.033
-18	1	End rib (Klegecell foam)	111.45.11.035
-19	1	End rib (Klegecell foam)	111.45.11.037
-20	1	End rib (Klegecell foam)	111.45.11.039
-21	1	End rib (Klegecell foam)	111.45.11.041
-22	1	End rib (Klegecell foam)	111.45.11.043
-23	1	End rib (Klegecell foam)	111.45.11.045
-24	1	Planking	111.45.11.021
-25	1	Planking	111.45.11.048
-26	1	Tab lower	111.45.11.050
-27	1	Tab upper	111.45.11.051
-28	1	Double	111.45.11.052
-29	5	Brace	111.45.11.053

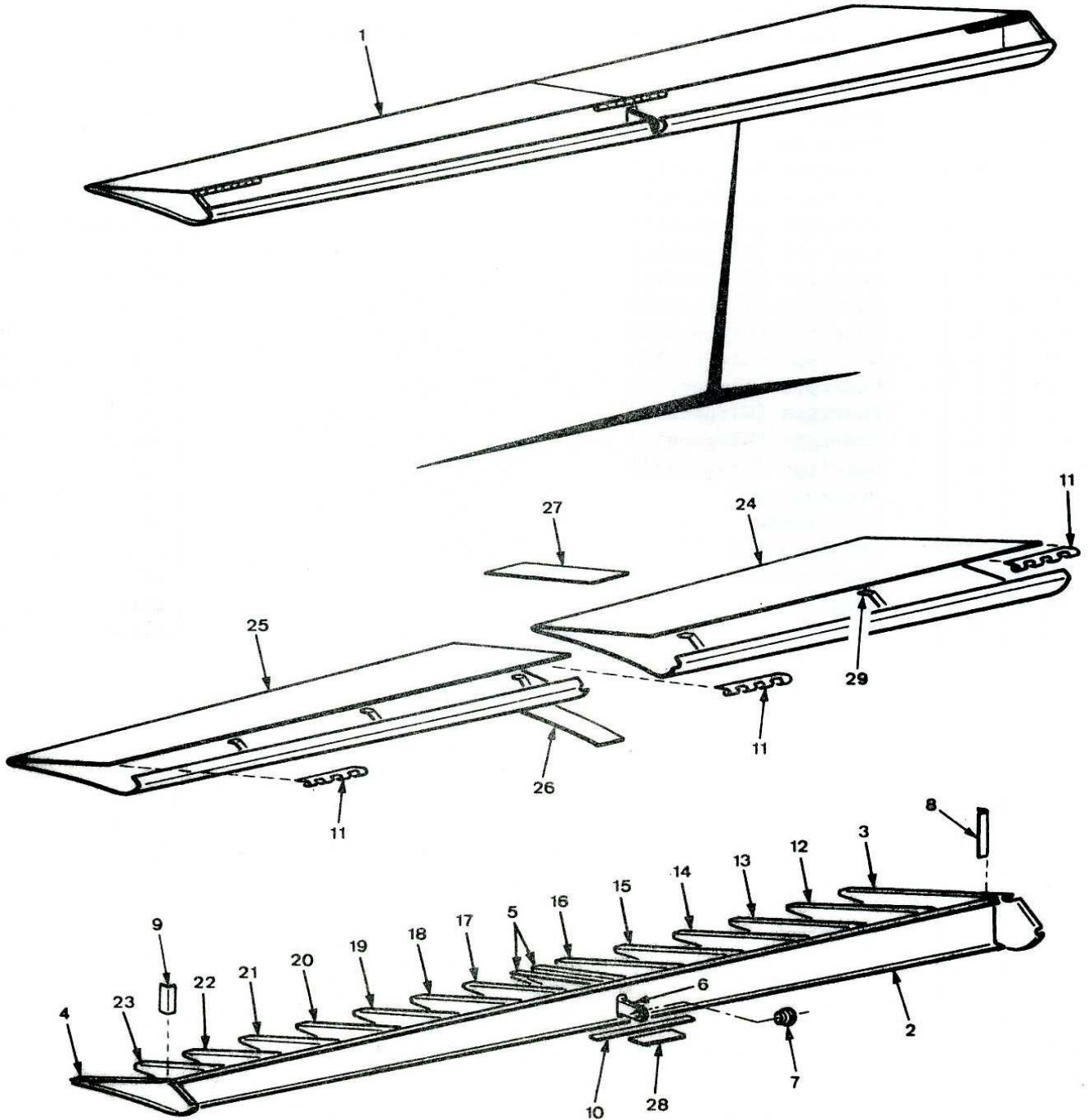
PILATUS B4-PC11

ALL METAL SAILPLANE

SPARE PARTS CATALOGUE

Figure 1/2/3

RIGHT AILERON



PILATUS B4-PC11

ALL METAL SAILPLANE

SPARE PARTS CATALOGUE

Figure & Pos No	No Off	Description	Part No.
1/2/3		Ailerons	
-1	1	Aileron Right Assembly	111.45.11.001
-2	1	Spar	111.45.11.003
-3	1	Rib 6A	111.45.11.005
-4	1	Rib 11A	111.45.11.011
-5	1	Connecting rib Assy.	111.45.11.017
-6	1	Connection fitting	111.45.11.015
-7	1	Aligning ball bearings	AN 200 KS 3 940.83.28.607
-8	1	Angle inner	111.45.11.013
-9	1	Angle outer	111.45.11.014
-10	1	Double	111.45.11.019
-11	3	Hinge	111.45.11.020
-12	1	End rib (Klegecell foam)	111.45.11.023
-13	1	End rib (Klegecell foam)	111.45.11.025
-14	1	End rib (Klegecell foam)	111.45.11.027
-15	1	End rib (Klegecell foam)	111.45.11.029
-16	1	End rib (Klegecell foam)	111.45.11.031
-17	1	End rib (Klegecell foam)	111.45.11.033
-18	1	End rib (Klegecell foam)	111.45.11.035
-19	1	End rib (Klegecell foam)	111.45.11.037
-20	1	End rib (Klegecell foam)	111.45.11.039
-21	1	End rib (Klegecell foam)	111.45.11.041
-22	1	End rib (Klegecell foam)	111.45.11.043
-23	1	End rib (Klegecell foam)	111.45.11.045
-24	1	Planking	111.45.11.021
-25	1	Planking	111.45.11.048
-26	1	Tab lower	111.45.11.050
-27	1	Tab upper	111.45.11.051
-28	1	Double	111.45.11.052
-29	5	Brace	111.45.11.053

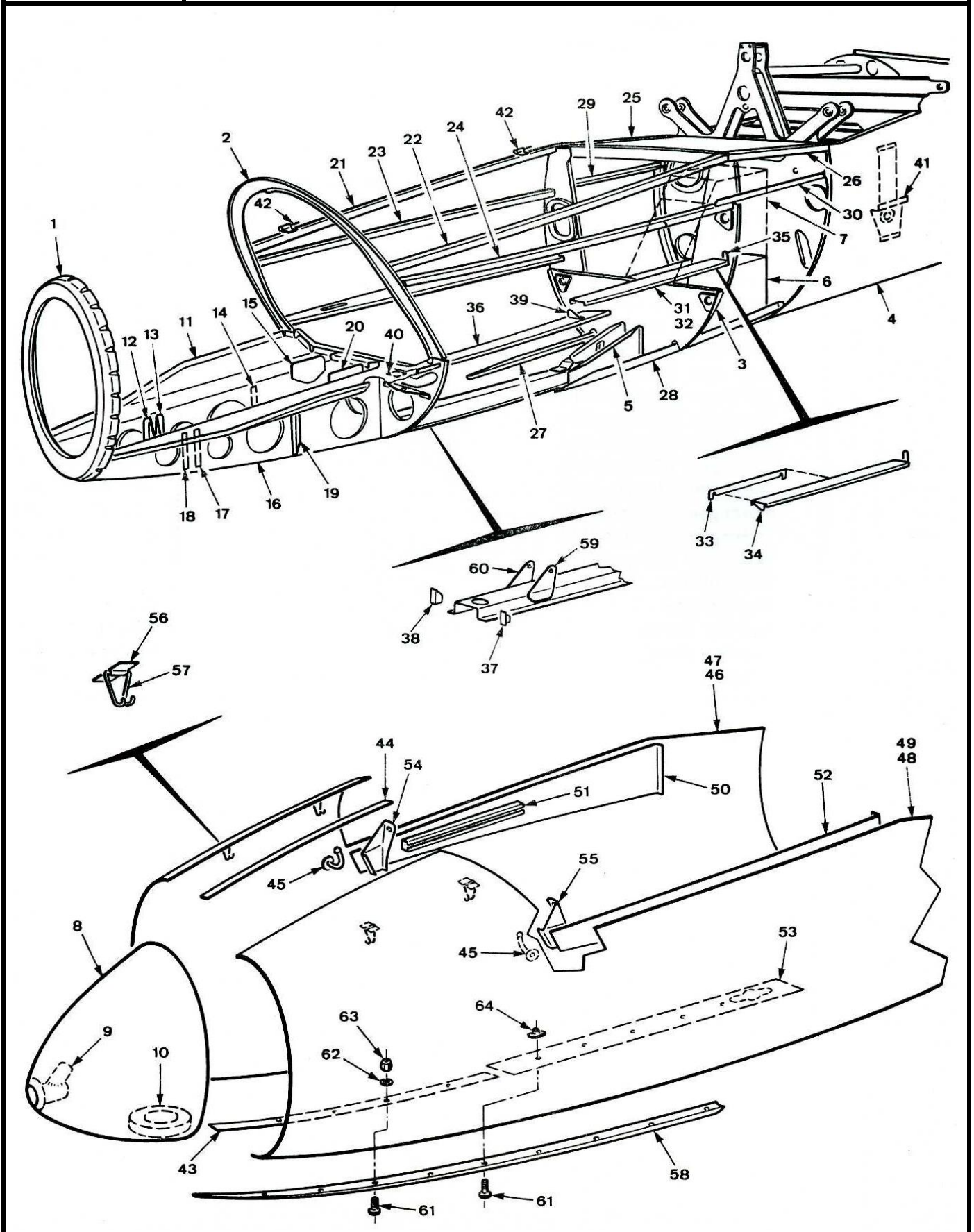
PILATUS B4-PC11

ALL METAL SAILPLANE

SPARE PARTS CATALOGUE

Figure 2/1/1

FRONT FUSELAGE AND SKIN



PILATUS B4-PC11

ALL METAL SAILPLANE

SPARE PARTS CATALOGUE

Figure & Pos No	No Off	Description	Part No.
2/1/1		Fuselage assembly and skin (Fixed undercarriage)	112.35.11.263
		Fuselage assembly and skin (Retract undercarriage)	112.35.11.146
-1	1	Bulkhead 1	112.35.11.012
-2	1	Bulkhead 2 (See Fig. 2/1/11)	
-3	1	Bulkhead 3 (See Fig. 2/1/13)	
-4	1	Rear Fuselage (See Fig. 2/1/15)	
-5	1	Floor fittings (See Fig. 2/1/3)	
-6	1	Wheel Well (Fixed U/C) (See Fig. 2/1/5)	
-7	1	Wheel Well (Retract U/C) (See Fig. 2/1/7)	
-8	1	Nose	112.35.11.144
-9	1	Pitot connection with fresh air inlet	119.99.11.001
-10	1	Ring (Foam)	112.35.11.152
-11	1	Floor Left	112.35.11.024
-12	1	Bearing bracket	112.35.11.026
-13	1	Bearing bracket	112.35.11.027
-14	1	Gussets	112.35.11.028
-15	1	Support	112.35.11.175
-16	1	Floor right	112.35.11.025
-17	1	Bearing bracket	112.35.11.026
-18	1	Bearing bracket	112.35.11.027
-19	1	Gussets	112.35.11.028
-20	1	Support	112.35.11.175
-21	1	Longitudinal beam upper Right	112.35.11.030
-22	1	Longitudinal beam upper Left	112.35.11.031
-23	1	Longitudinal beam lower Right	112.35.11.102
-24	1	Longitudinal beam lower Left	112.35.11.033
-25	1	Longitudinal beam Right	112.35.11.102
-26	1	Longitudinal beam Left	112.35.11.103
-27	1	Stringer Right	112.35.11.204
-28	1	Stringer Left	112.35.11.205
-29	1	Stringer Right	112.35.11.238
-30	1	Stringer Left	112.35.11.239
-31	1	Channel section (Only valid for fixed U/C)	112.35.11.210
-32	1	Carrier (Only valid for retract U/C)	112.35.11.240
-33	1	Locking plate (Only valid for retract U/C)	112.35.11.036
-34	1	Angle (Only valid for retract U/C)	112.35.11.032
-35	1	Angle	112.35.11.040
-36	1	U Profile	112.35.11.211
-37	1	Angle Left	112.35.11.083
-38	1	Angle Right	112.35.11.084
-39	1	Angle (Only valid for retract U/C)	112.35.11.032
-40	1	Doubler	112.35.11.082
-41	1	Holder assembly	112.35.11.169
-42	2	Hinge	112.38.11.030
-43	1	Metal strip lower	112.35.11.221
-44	1	Metal strip upper	112.35.11.222
-45	2	Hook	6250.0014.00

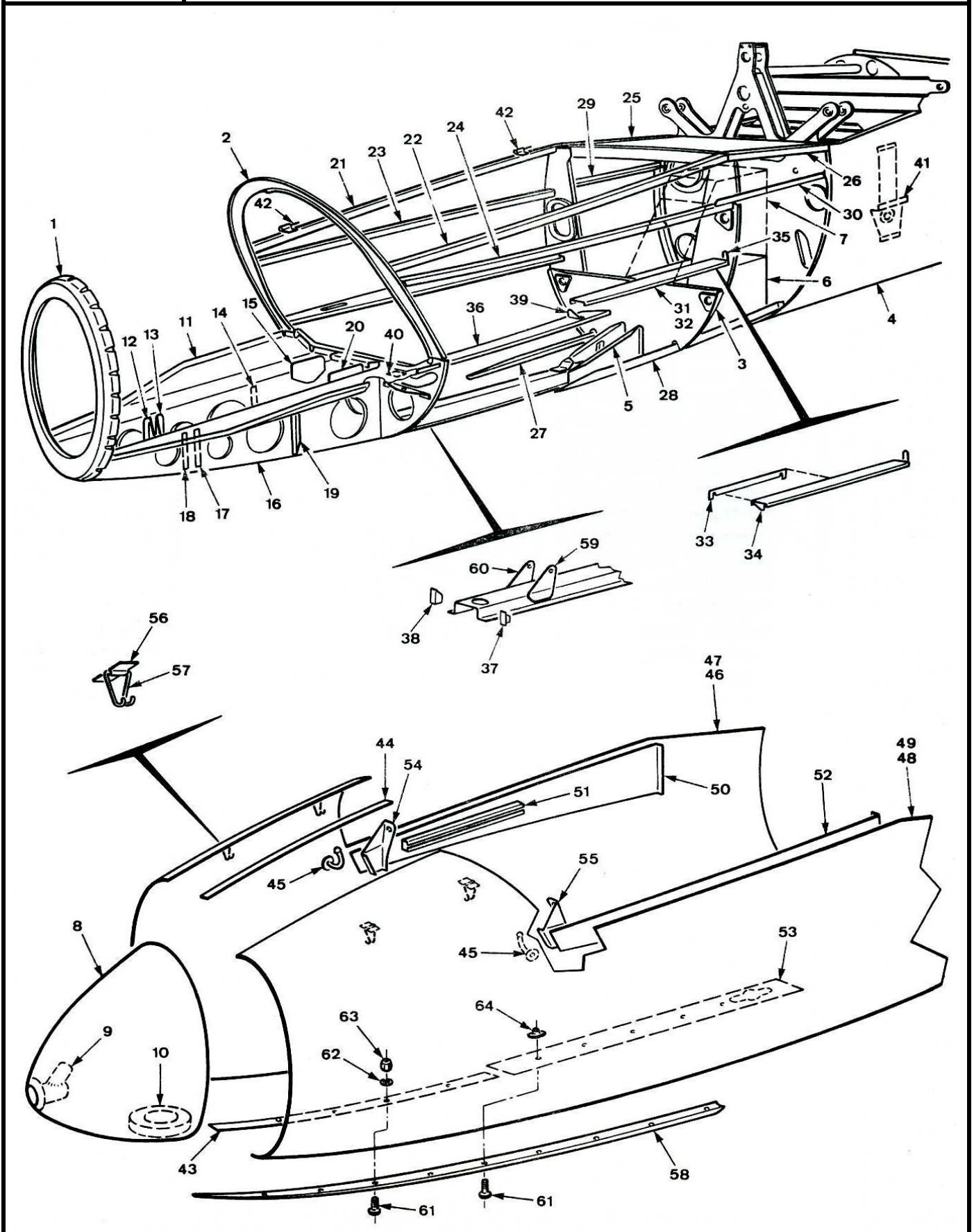
PILATUS B4-PC11

ALL METAL SAILPLANE

SPARE PARTS CATALOGUE

Figure 2/1/1

FRONT FUSELAGE AND SKIN



PILATUS B4-PC11

ALL METAL SAILPLANE

SPARE PARTS CATALOGUE

Figure & Pos No	No Off	Description	Part No.
2/1/1		Body assembly and paneling (Continued)	
-46	1	Panelling right (Only valid for fixed U/C)	112.35.11.276
-47	1	Panelling right (Only valid for retract U/C)	112.35.11.274
-48	1	Panelling left (Only valid for fixed U/C)	112.35.11.277
-49	1	Panelling left (Only valid for retract U/C)	112.35.11.275
-50	1	Panelling inner right	112.35.11.234
-51	1	Channel	112.35.11.246
-52	1	Panelling inner left	112.35.11.235
-53	1	Flap	112.35.11.120
-54	1	Support right	119.32.11.022
-55	1	Support left	119.32.11.023
-56	4	Holder	112.35.11.284
-57	4	Hook	112.35.11.285
-58	1	Rubbing strip	112.35.11.237
-59	1	Anchor point left	112.35.11.297
-60	1	Anchor point right	112.35.11.298
-61	10	Countersunk screw 100 Deg MS 24693-PC52	933.71.61.043
-62	5	Washer AN 960-8L	938.77.11.110
-63	5	3/16 Nut AN364-832	938.07.18.122
-64	5	3/16 Rivet nut AN 366 F 832	938.42.28.102

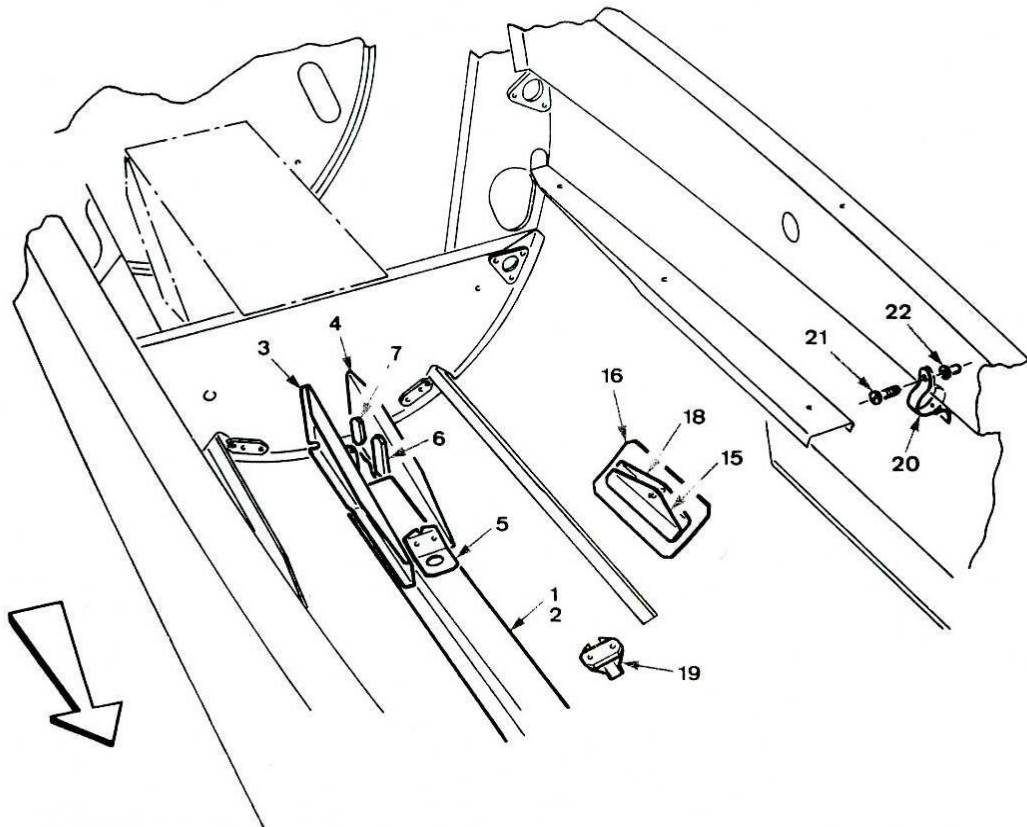
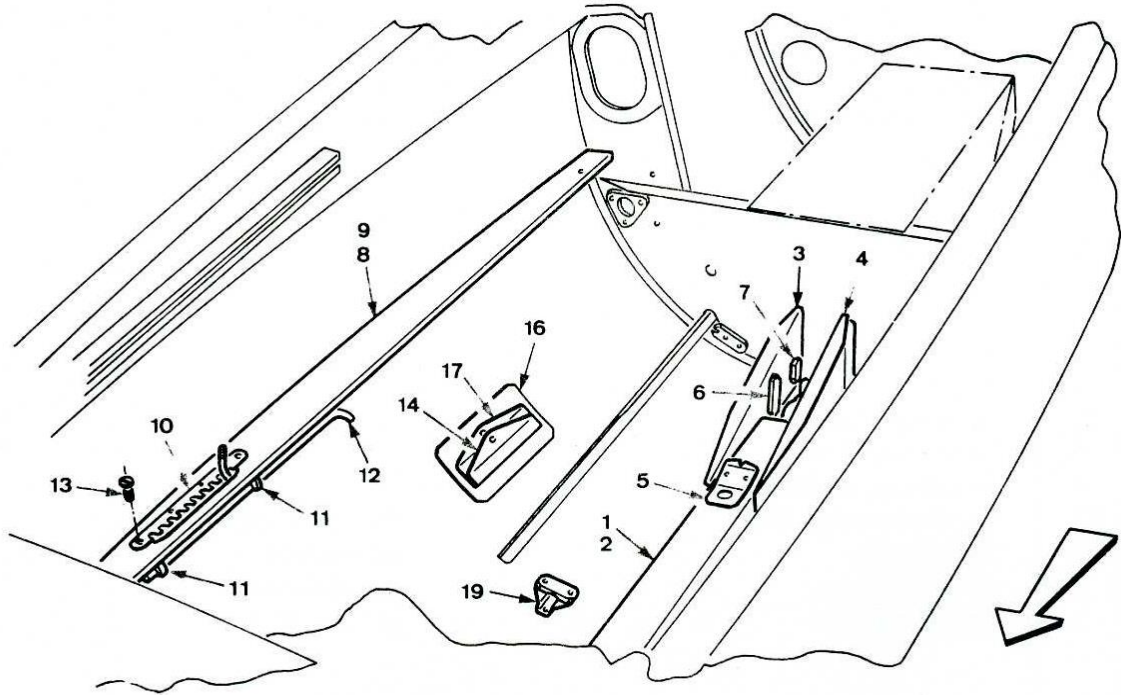
PILATUS B4-PC11

ALL METAL SAILPLANE

SPARE PARTS CATALOGUE

Figure 2/1/3

FUSELAGE BETWEEN FRAMES 2 & 3



PILATUS B4-PC11

ALL METAL SAILPLANE

SPARE PARTS CATALOGUE

Figure & Pos No	No Off	Description	Part No.
2/1/3		Fuselage between frames 2 & 3	
-1	1	Floor fittings	112.35.11.128
-2	1	Channel	112.35.11.067
-3	1	Tow hook support right	112.35.11.142
-4	1	Tow hook support left	112.35.11.143
-5	1	Release cable bracket	119.68.11.001
-6	2	Tow hook spacer	112.35.11.123
-7	2	Tow hook spacer	112.35.11.124
-8	1	Channel with trim assembly	112.35.11.212
-9	1	Channel	112.35.11.213
-10	1	Trim selector plate	116.40.11.003
-11	2	Bearing	116.40.11.004
-12	1	Trim control rod	116.40.11.002
-13	4	Screw No.4 x 3/8"	935.83.01.002
-14	1	Harness mounting bracket inner right	112.35.11.186
-15	1	Harness mounting bracket inner left	112.35.11.187
-16	2	Strengthening plate	112.35.11.188
-17	1	Harness mounting bracket outer right	112.35.11.190
-18	1	Harness mounting bracket outer left	112.35.11.191
-19	2	Rudder cable guide	116.35.11.094
-20	1	Support bracket	116.35.11.039
-21	1	Screw	AN 526-632-8 935.45.16.104
-22	1	Rivnut GOODRICH	AK6 120LM 938.46.81.108

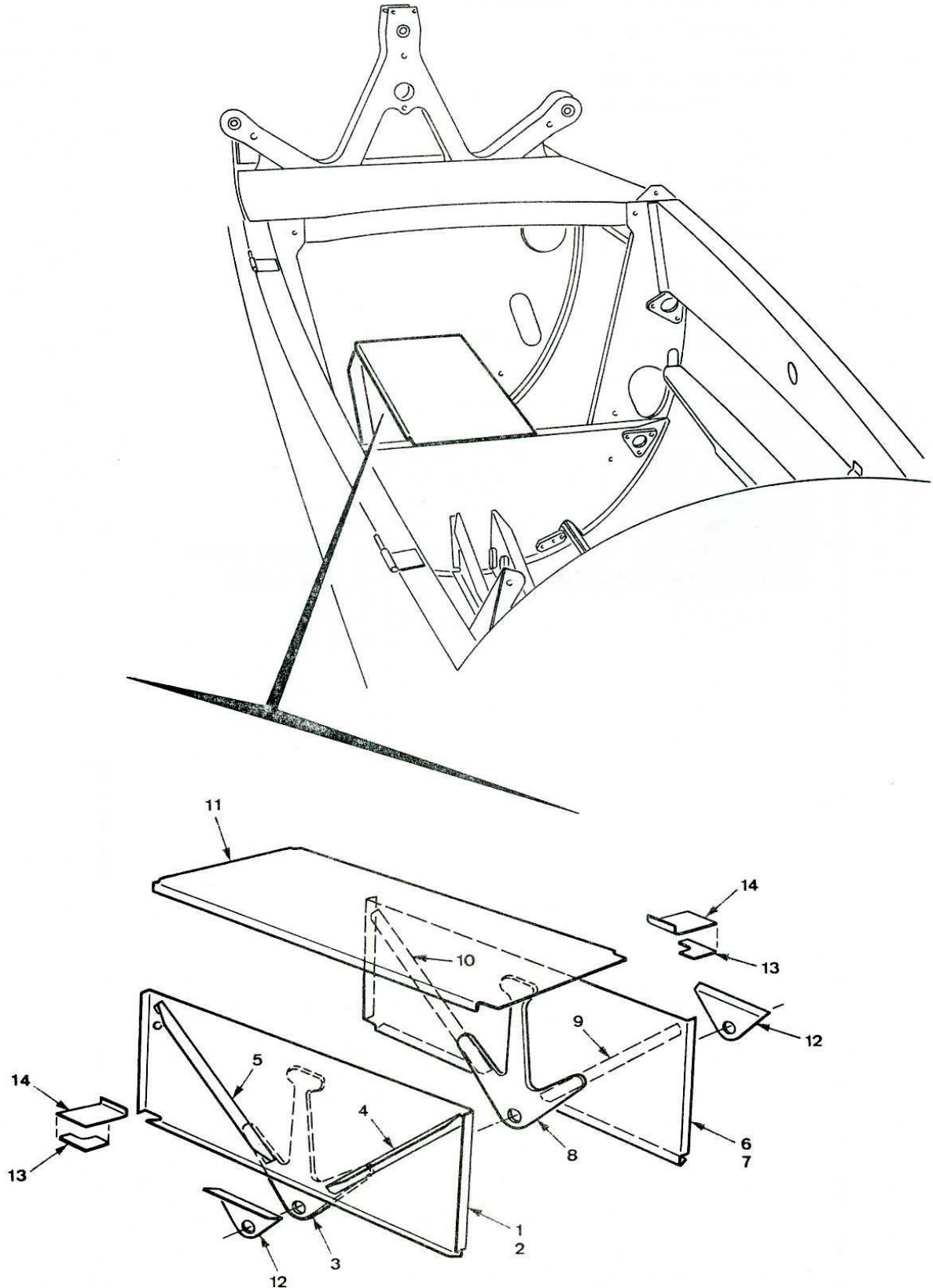
PILATUS B4-PC11

ALL METAL SAILPLANE

SPARE PARTS CATALOGUE

Figure 2/1/5

WHEELHOUSE (FIXED UNDERCARRAGE)



PILATUS B4-PC11

ALL METAL SAILPLANE

SPARE PARTS CATALOGUE

Figure & Pos No	No Off	Description	Part No.
2/1/5		Wheelhouse assembly (Fixed undercarriage)	
-1	1	Side panel assembly right	112.35.11.258
-2	1	Side panel right	112.35.11.266
-3	1	Axel bracket	114.35.11.045
-4	1	Support angle	112.35.11.267
-5	1	Support angle	112.35.11.268
-6	1	Side panel assembly left	112.35.11.259
-7	1	Side panel left	112.35.11.265
-8	1	Axel bracket	114.35.11.045
-9	1	Support angle	112.35.11.267
-10	1	Support angle	112.35.11.268
-11	1	Top cover	112.35.11.257
-12	2	Axel bracket	114.35.11.044
-13	2	Backing piece	112.35.11.260
-14	2	Flap	112.35.11.261

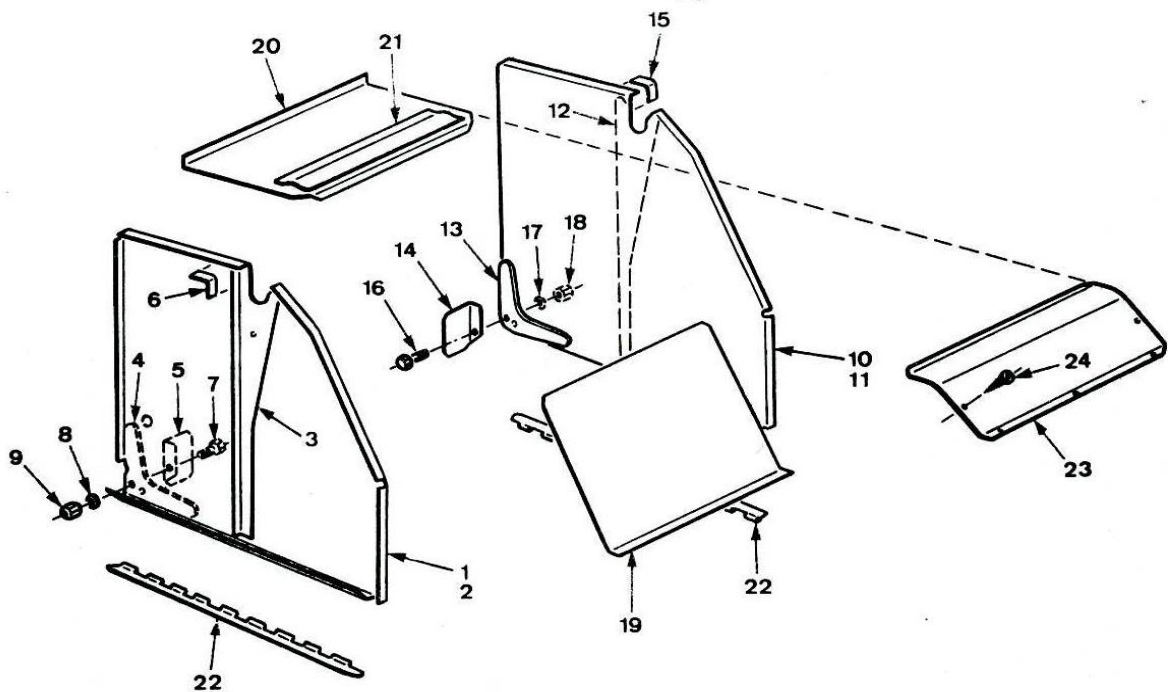
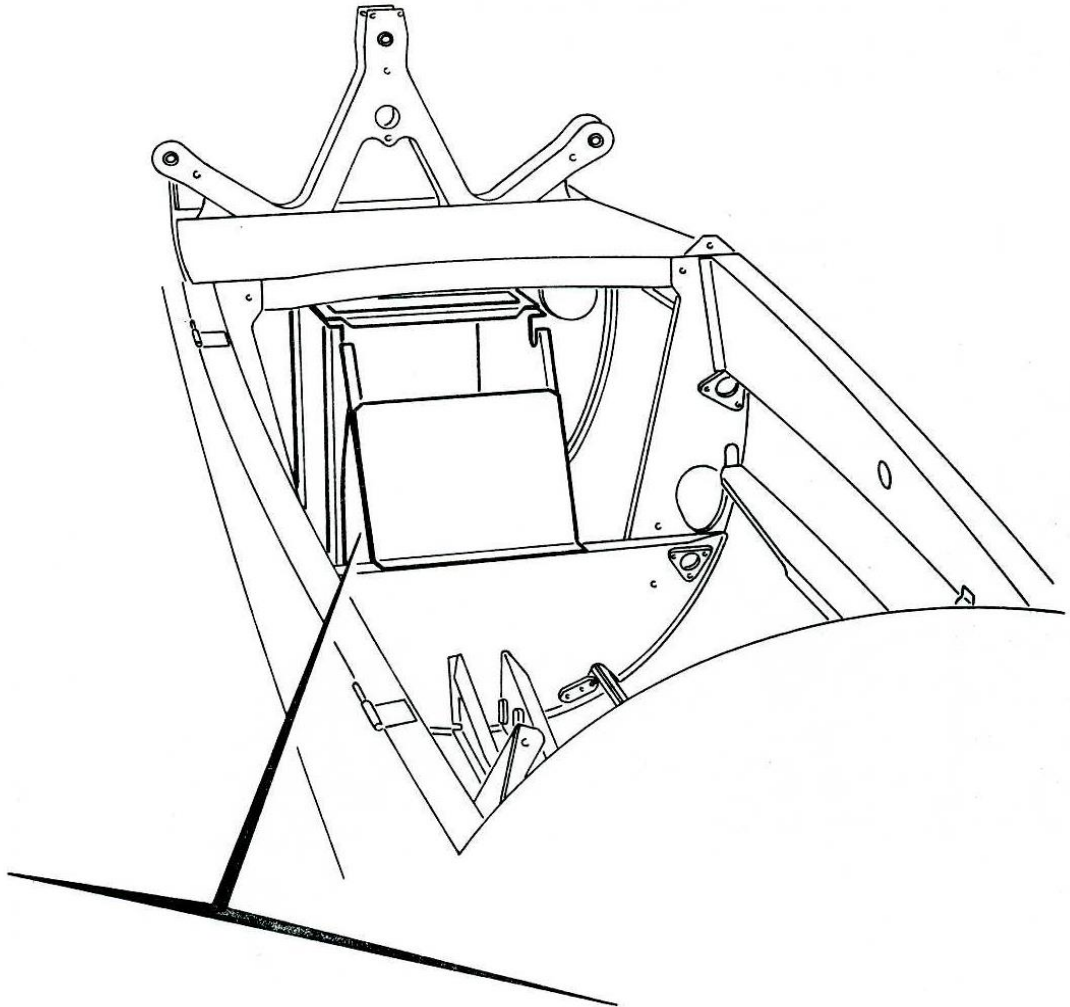
PILATUS B4-PC11

ALL METAL SAILPLANE

SPARE PARTS CATALOGUE

Figure 2/1/7

WHEELHOUSE (RETRACABLE UNDERCARRAGE)



PILATUS B4-PC11

ALL METAL SAILPLANE

SPARE PARTS CATALOGUE

Figure & Pos No	No Off	Description	Part No.
2/1/7		Wheelhouse assembly (Retract undercarriage)	
-1	1	Side panel assembly right	
-2	1	Side panel	
-3	1	Reinforcing plate	
-4	1	Rear mounting	
-5	1	Bracket	
-6	1	Bracket	
-7	1	3/16 Screw	AN 3-5A
-8	1	Washer	AN 960-10L
-9	1	3/16 nut	AN 365-1032C
-10	1	Side panel assembly left	
-11	1	Side panel	
-12	1	Reinforcing plate	
-13	1	Rear mounting	
-14	1	Bracket	
-15	1	Bracket	
-16	1	3/16 Screw	AN 3-5A
-17	1	Washer	AN 960-10L
-18	1	3/16 nut	AN 365-1032C
-19	1	Front plate	
-20	1	Top plate	
-21	1	Retainer strip	
-22	2	Hinge	
-23	1	Access cover	
-24	5	Screw No. 4 x 1/4"	

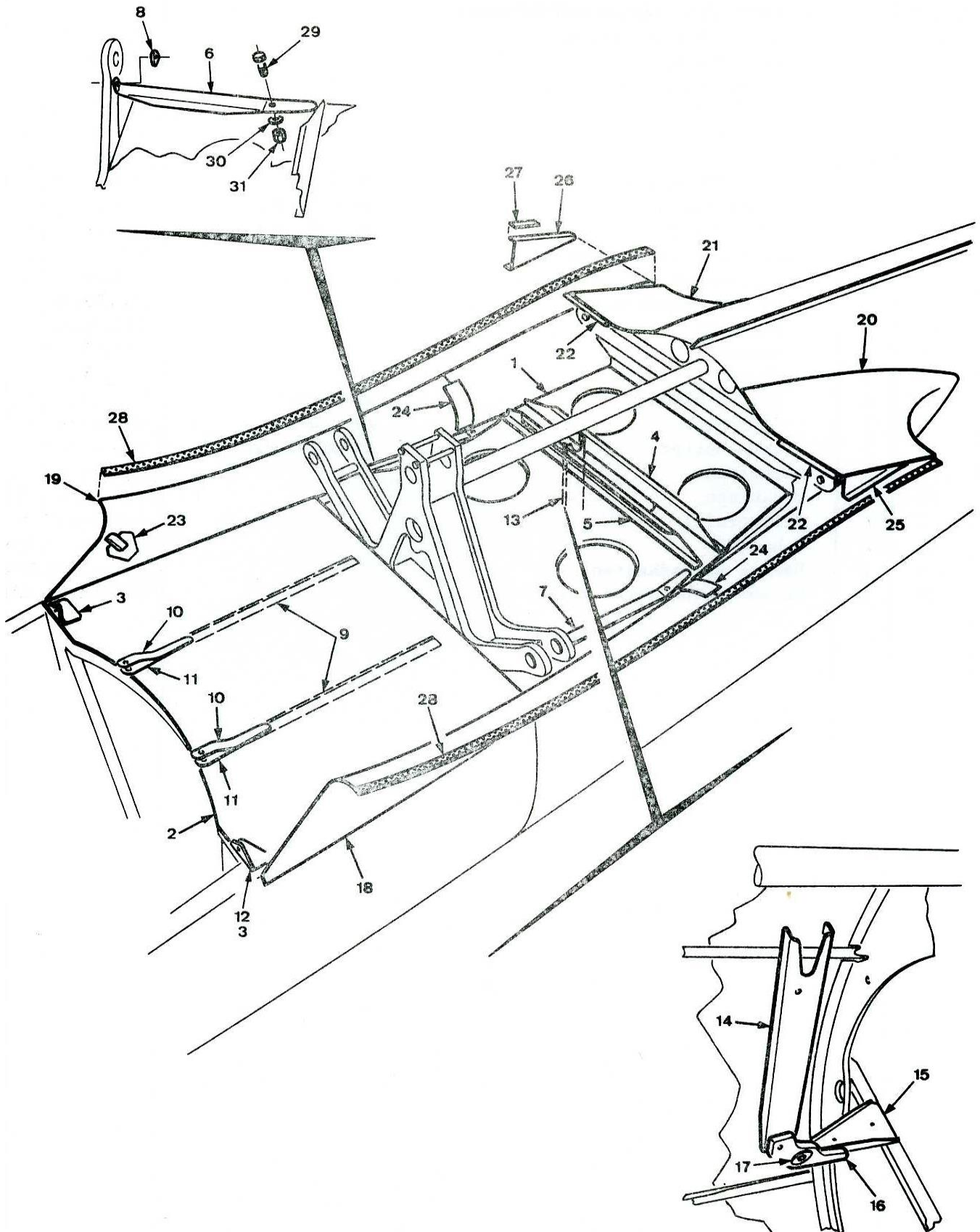
PILATUS B4-PC11

ALL METAL SAILPLANE

SPARE PARTS CATALOGUE

Figure 2/1/9

FUSELAGE BETWEEN FRAMES 3 & 5



PILATUS B4-PC11

ALL METAL SAILPLANE

SPARE PARTS CATALOGUE

Figure & Pos No	No Off	Description	Part No.
2/1/9		Fuselage between frames 3 & 5	
-1	1	Cover plate (Frame 4-5)	112.35.11.172
-2	1	Cover plate (Frame 3-4)	112.35.11.179
-3	2	Guide bracket (Valid from manufacture no 35)	112.35.11.318
-4	1	Support channel	112.35.11.269
-5	1	Support channel	112.35.11.270
-6	1	Strut right	112.35.11.166
-7	1	Strut left	112.35.11.167
-8	2	Insert	112.35.11.161
-9	2	Support angle	112.35.11.180
-10	2	Strap upper	112.35.11.181
-11	2	Strap lower	112.35.11.182
-12	1	Guide bracket (Valid from manufacture no 34)	112.35.11.236
-13	1	Support bracket assembly	112.35.11.168
-14	1	Channel	112.35.11.157
-15	1	Support	112.35.11.158
-16	1	Bearing holder	112.35.11.164
-17	1	Self-aligning bearing AN 200 KS 4	940.83.28.608
-18	1	Transition fairing front left	112.35.11.227
-19	1	Transition fairing front right	112.35.11.228
-20	1	Transition fairing rear left	112.35.11.219
-21	1	Transition fairing rear right	112.35.11.220
-22	2	Locating profile	112.35.11.209
-23	2	Top cover catch (See Fig 2/1/25)	
-24	2	Joint flap	112.35.11.214
-25	1	Rib left	112.35.11.225
-26	1	Rib right	112.35.11.226
-27	2	Joint flap	112.35.11.286
-28	2	Fiberglass tape 19mm 1.05 m long	917.40.80.004
-29	2	3/16 Screw AN 3-5A	932.19.21.027
-30	2	Washer AN 960-10L	938.77.11.112
-31	2	3/16 nut AN 365-1032C	938.07.18.163

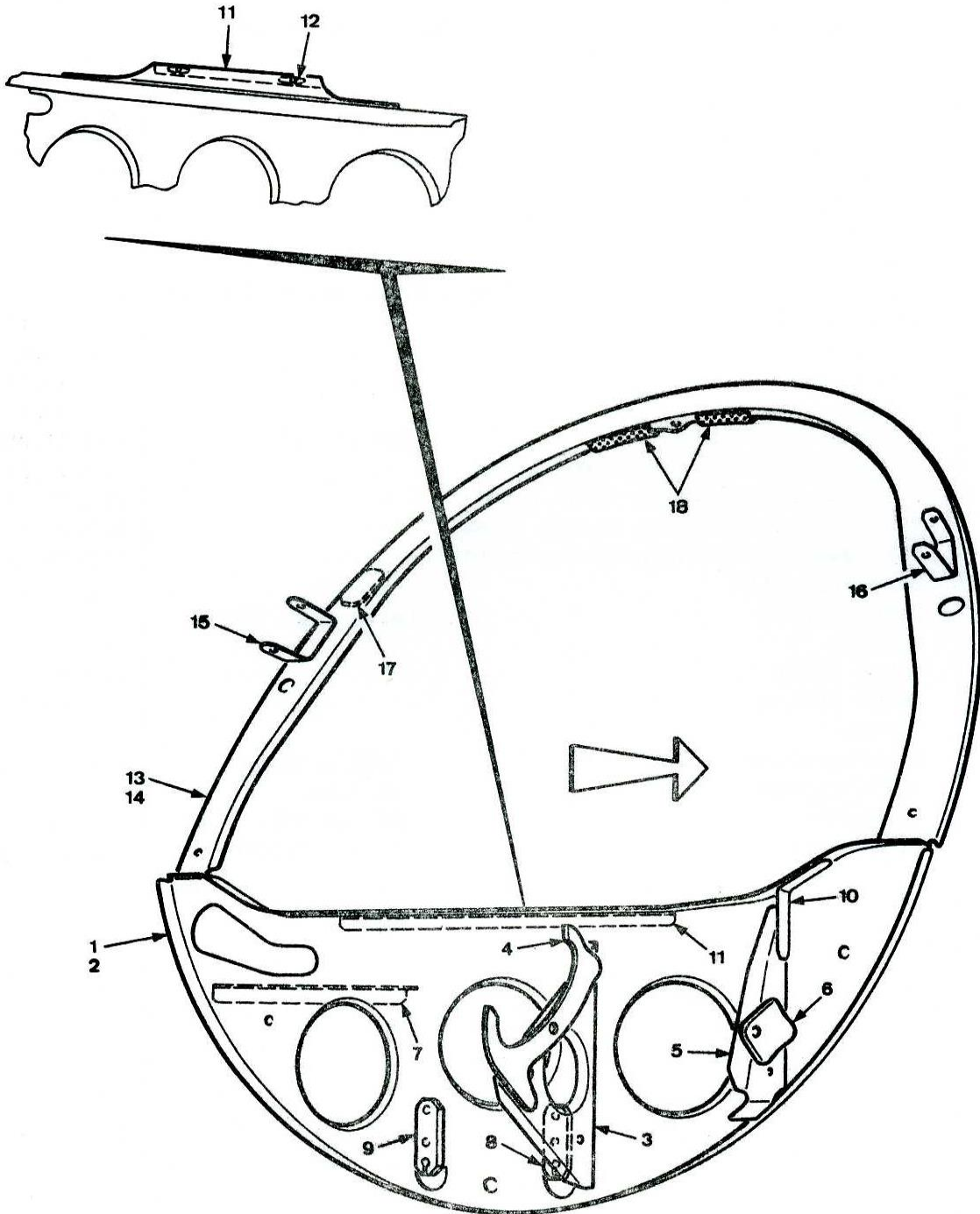
PILATUS B4-PC11

ALL METAL SAILPLANE

SPARE PARTS CATALOGUE

Figure 2/1/11

FRAME 2



PILATUS B4-PC11

ALL METAL SAILPLANE

SPARE PARTS CATALOGUE

Figure & Pos No	No Off	Description	Part No.
2/1/11		Frame 2	
-1		Frame 2 lower part	
-2		Frame plate	
-3		Support bracket	
-4		Stop plate	
-5		Support bracket	
-6		Bearing plate	
-7		Bearing bracket	
-8		Cable guide right	
-9		Cable guide left	
-10		Flap	
-11		Angle support	
-12		Rivnut	AN 366 F 832
-13		Frame 2 upper part	
-14		Frame plate	
-15		Angle support	
-16		Angle support	
-17		Plastic plate	
-18		Edge protector A 671 N.4 PVC 105mm long	

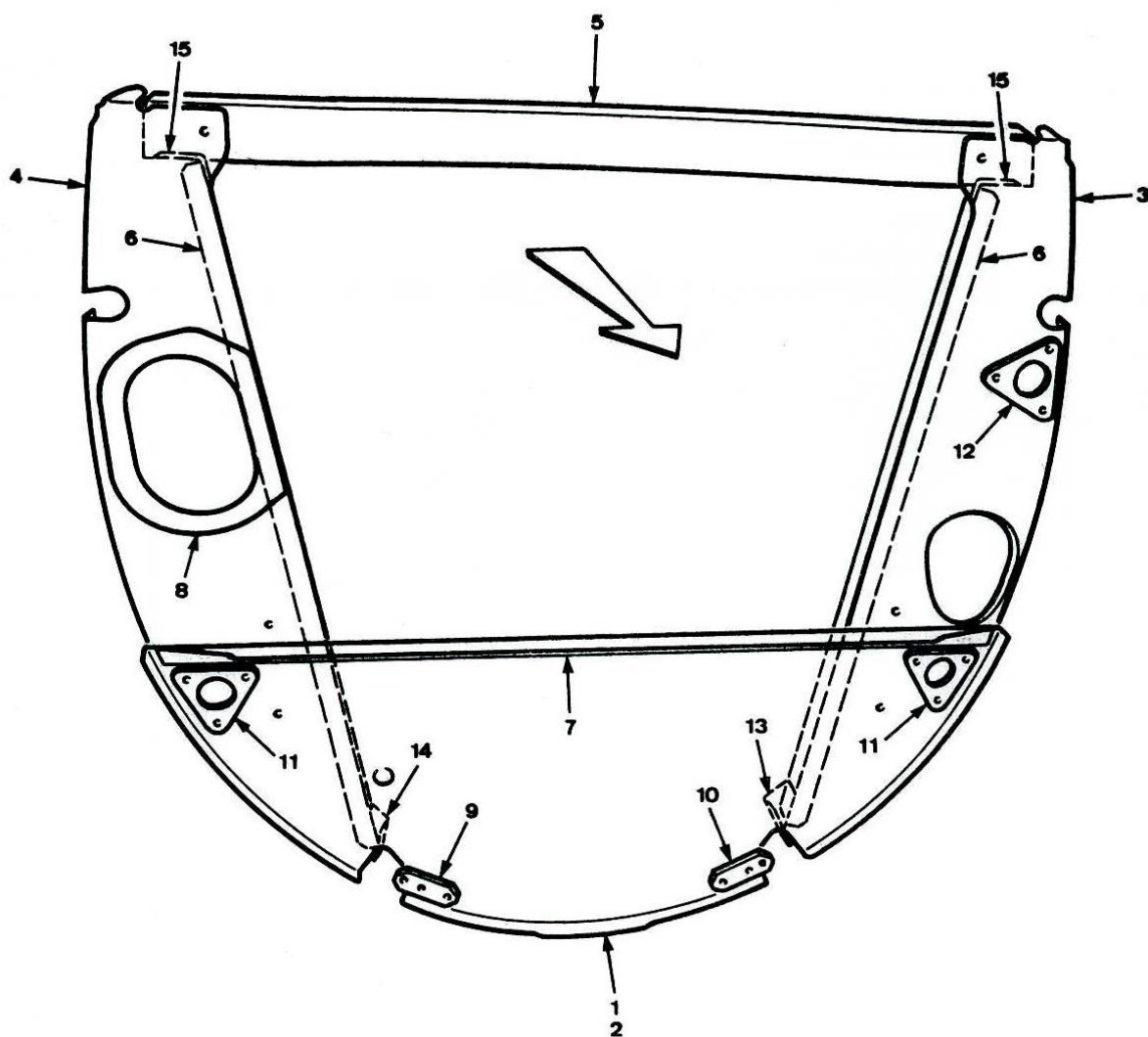
PILATUS B4-PC11

ALL METAL SAILPLANE

SPARE PARTS CATALOGUE

Figure 2/1/13

FRAME 3



PILATUS B4-PC11

ALL METAL SAILPLANE

SPARE PARTS CATALOGUE

Figure & Pos No	No Off	Description	Part No.
2/1/13		Frame 3	
-1	1	Frame 2 assembly	112.35.11.018
-2	1	Frame plate	112.35.11.023
-3	1	Frame plate	112.35.11.034
-4	1	Frame plate	112.35.11.035
-5	1	Tie beam	112.35.11.020
-6	2	Strengthener	112.35.11.014
-7	1	Strengthener	112.35.11.015
-8	1	Round strengthener	112.35.11.283
-9	1	Cable guide right	116.35.11.002
-10	1	Cable guide left	116.35.11.131
-11	2	Fibre bearing	116.35.11.001
-12	1	Fibre bearing	116.35.11.003
-13	1	Flap	112.35.11.021
-14	1	Flap	112.35.11.022
-15	2	Angle bracket	112.35.11.029

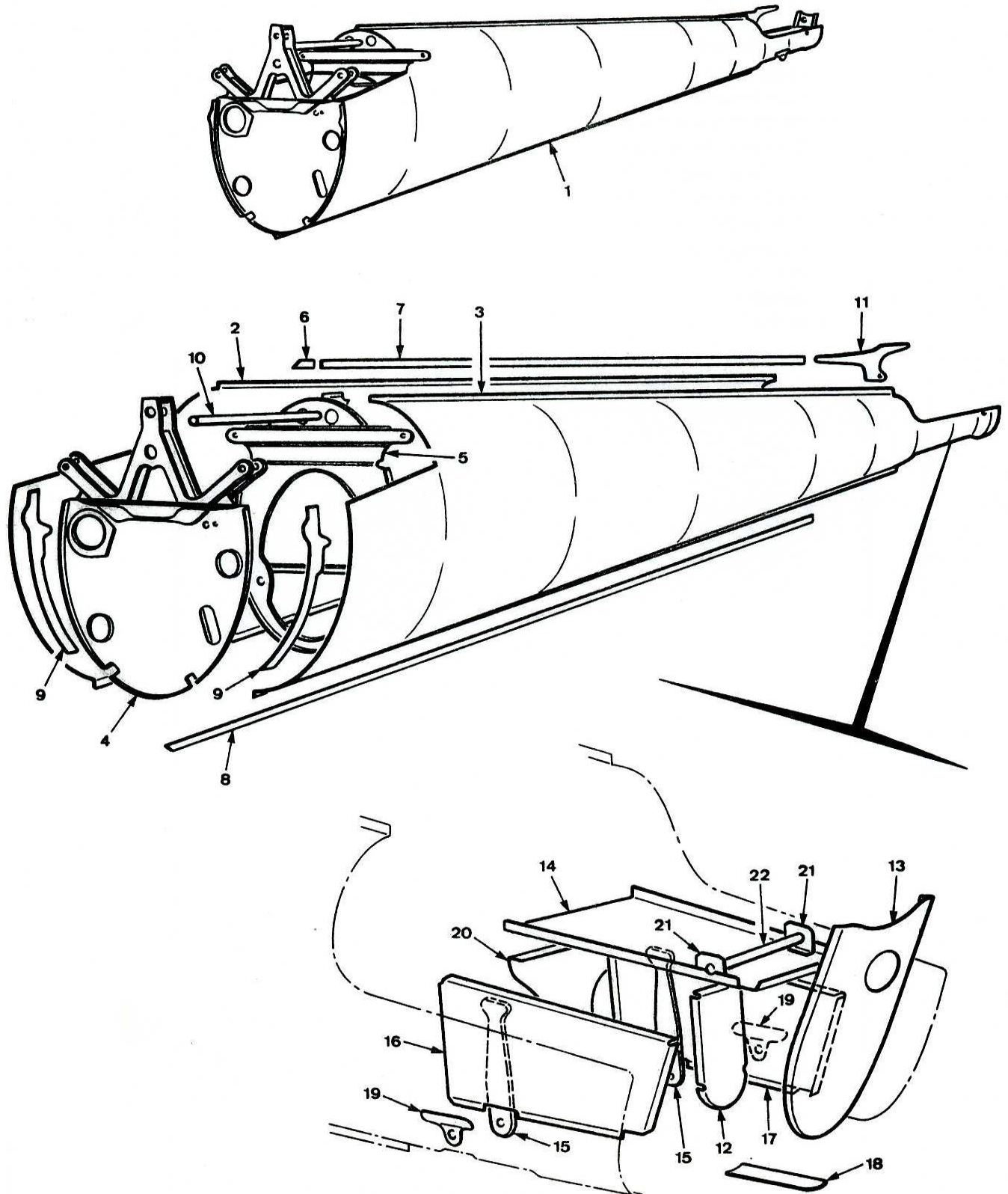
PILATUS B4-PC11

ALL METAL SAILPLANE

SPARE PARTS CATALOGUE

Figure 2/1/15

REAR FUSELAGE



PILATUS B4-PC11

ALL METAL SAILPLANE

SPARE PARTS CATALOGUE

Figure & Pos No	No Off	Description	Part No.
2/1/15		Rear fuselage assembly	
-1	1	Rear fuselage	112.35.11.097
-2	1	Fuselage shell right (See Fig. 2/1/17)	
-3	1	Fuselage shell left (See Fig. 2/1/19)	
-4	1	Frame 4 assembly (See Fig. 2/1/21)	
-5	1	Frame 5 assembly (See Fig. 2/1/23)	
-6	1	Cam	112.35.11.132
-7	1	Stringer top	112.35.11.133
-8	1	Stringer bottom	112.35.11.135
-9	2	Doubler	112.35.11.131
-10	1	Support tube	112.35.11.154
-11	1	Connecting plate	112.35.11.177
-12	1	Frame 9a	112.35.11.176
-13	1	Frame 10	112.35.11.011
-14	1	Rear wheel arch plate top	112.35.11.039
-15	2	Rear wheel mounting bracket	112.35.11.040
-16	1	Rear wheel arch plate left	112.35.11.041
-17	1	Rear wheel arch plate right	112.35.11.042
-18	1	Connecting strip	112.35.11.045
-19	2	Rear wheel mounting plate	112.35.11.046
-20	1	Connecting plate	112.35.11.178
-21	2	Reinforcing plate	112.35.11.288
-22	1	Tube	112.35.11.289

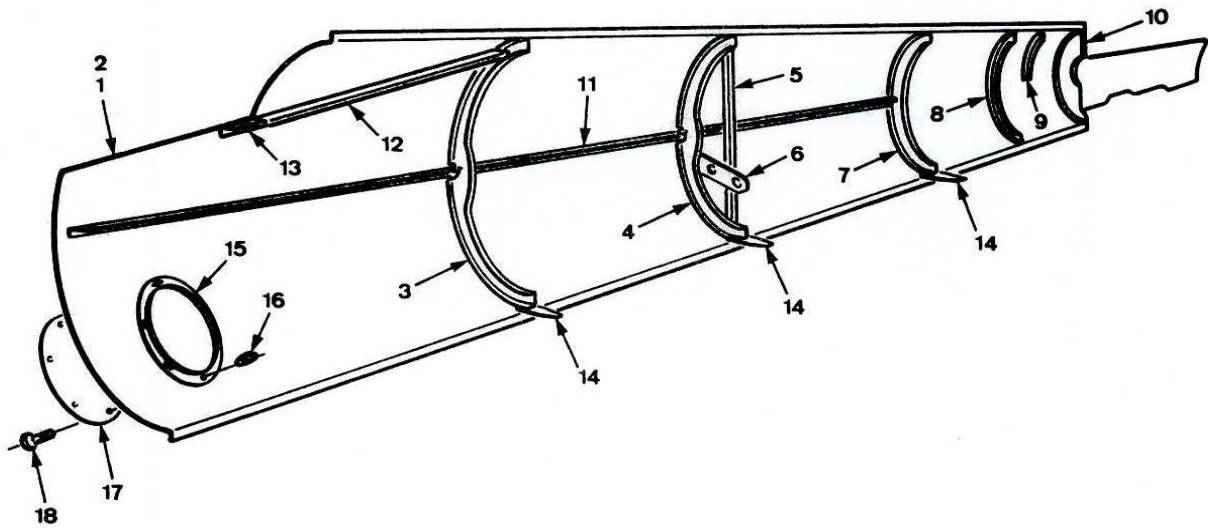
PILATUS B4-PC11

ALL METAL SAILPLANE

SPARE PARTS CATALOGUE

Figure 2/1/17

RIGHT FUSELAGE SHELL



PILATUS B4-PC11

ALL METAL SAILPLANE

SPARE PARTS CATALOGUE

Figure & Pos No	No Off	Description	Part No.
2/1/17		Rear fuselage assembly	
-1	1	Rear half right	112.35.11.136
-2	1	Skin	112.35.11.140
-3	1	Frame 6	112.35.11.003
-4	1	Frame 7	112.35.11.005
-5	1	Angle support	112.35.11.007
-6	1	Guide bracket	112.35.11.006
-7	1	Frame 8	112.35.11.008
-8	1	Additional frame 8a	112.35.11.141
-9	1	Additional frame 8b right	112.35.11.290
-10	1	Frame 9 right	112.35.11.010
-11	1	Stringer	112.35.11.138
-12	1	Channel right	112.35.11.086
-13	1	Angle bracket	112.35.11.087
-14	3	Flap	112.35.11.013
-15	1	Inspection hatch frame	112.35.11.125
-16	6	3/16 Rivnut	AN 366 F 632 938.42.28.101
-17	1	Inspection cover	110.65.11.001
-18	6	Screw	AN 507-632-8 933.45.16.126

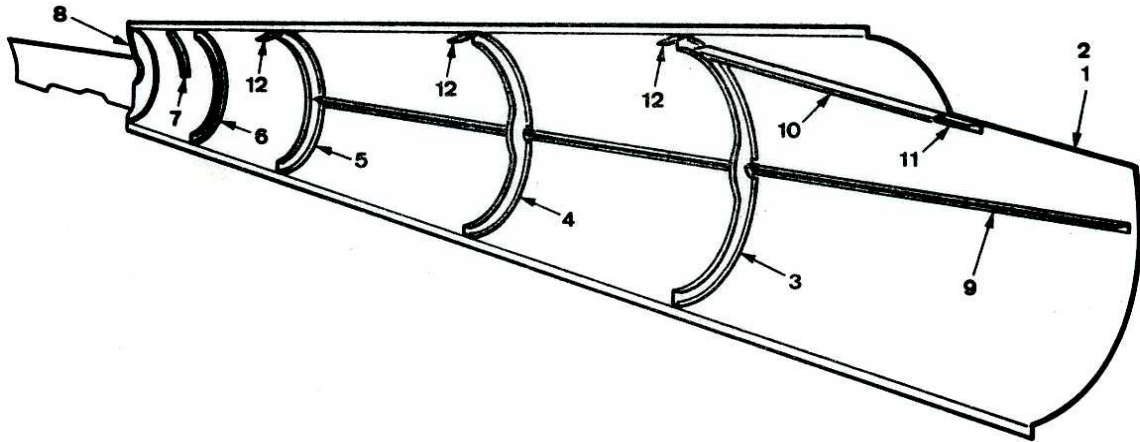
PILATUS B4-PC11

ALL METAL SAILPLANE

SPARE PARTS CATALOGUE

Figure 2/1/19

LEFT FUSELAGE SHELL



PILATUS B4-PC11

ALL METAL SAILPLANE

SPARE PARTS CATALOGUE

Figure & Pos No	No Off	Description	Part No.
2/1/19		Rear fuselage assembly	
-1	1	Rear half left	112.35.11.137
-2	1	Skin	112.35.11.139
-3	1	Frame 6	112.35.11.003
-4	1	Frame 7	112.35.11.004
-5	1	Frame 8	112.35.11.008
-6	1	Additional frame 8a	112.35.11.141
-7	1	Additional frame 8b left	112.35.11.291
-8	1	Frame 9 left	112.35.11.009
-9	1	Stringer	112.35.11.138
-10	1	Channel left	112.35.11.085
-11	1	Angle bracket	112.35.11.087
-12	3	Flap	112.35.11.013

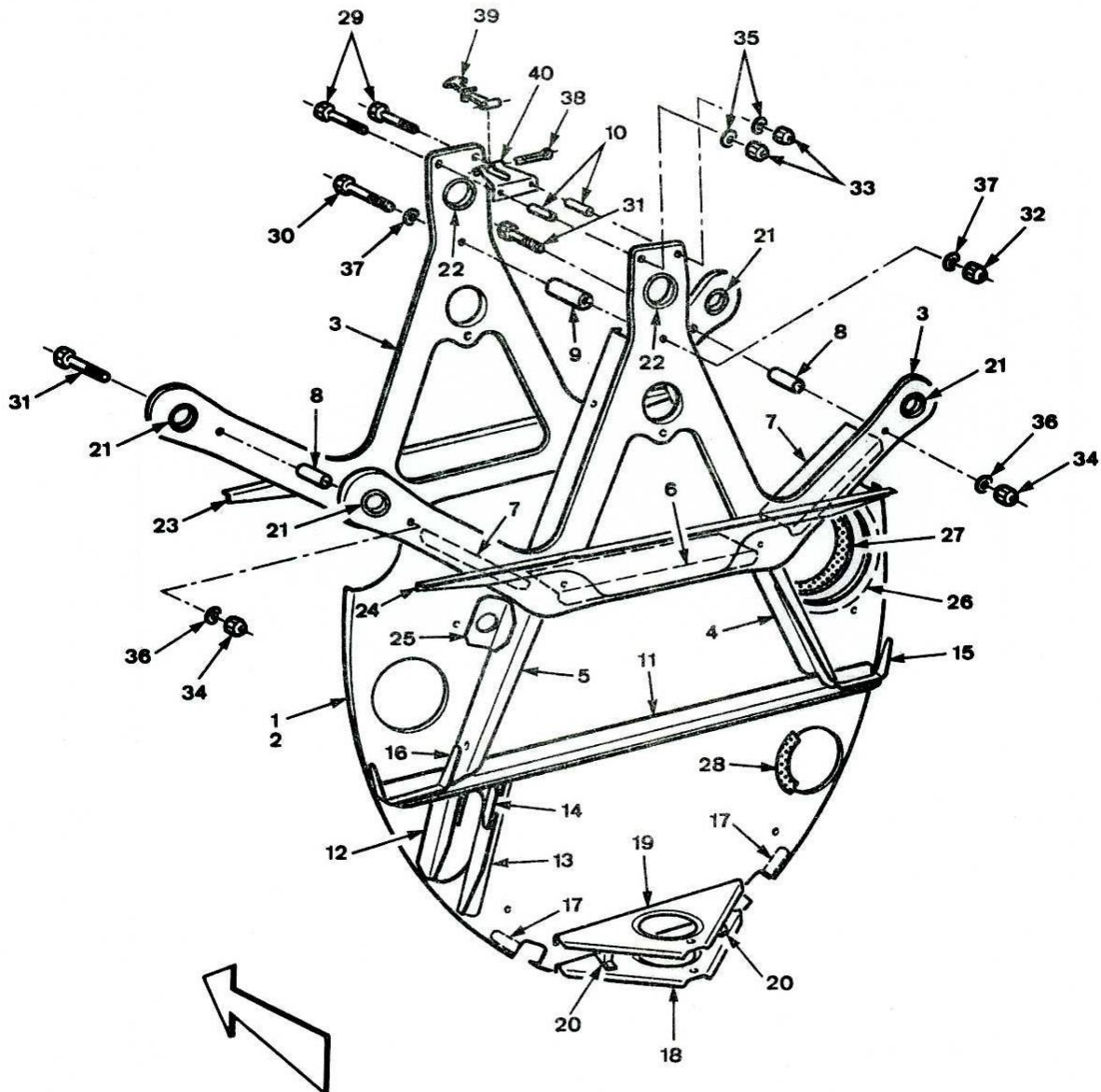
PILATUS B4-PC11

ALL METAL SAILPLANE

SPARE PARTS CATALOGUE

Figure 2/1/21

FRAME 4



PILATUS B4-PC11

ALL METAL SAILPLANE

SPARE PARTS CATALOGUE

Figure & Pos No	No Off	Description	Part No.
2/1/21		Hull rear part	
-1	1	Bulkhead frame 4	
-2	1	Frame panel	
-3	2	Main frame fitting	
-4	1	Channel right	
-5	1	Channel left	
-6	1	Channel	
-7	2	Channel	
-8	2	Distance bush	
-9	1	Distance bush	
-10	2	Distance tube	
-11	1	Stringer	
-12	1	Bearing bracket	
-13	1	Bearing bracket	
-14	1	Channel	
-15	1	Flap right	
-16	1	Flap left	
-17	2	Angle	
-18	1	Support	
-19	1	Support	
-20	2	Stop plate	
-21	4	Bush	
-22	2	Bush	
-23	1	Angle plate	
-24	1	Angle plate	
-25	1	Reinforcing bracket	
-26	1	Support flange	
-27	1	Felt 4mm	
-28	1	Edge protector A-614 Nr. 4 PVC 75mm long	
-29	2	3/16 screw	AN 3-26A
-30	1	1/4 screw	AN 4-30A
-31	2	1/4 screw	AN 4-32
-32	1	3/16 nut	AN 316-4RE
-33	2	3/16 nut	AN 364-1032
-34	2	3/16 nut	AN 365-428C
-35	2	Lock washer	AN 960-10L
-36	2	Lock washer	AN 960-416L
-37	2	Lock washer	AN 960-416
-38	1	Split pin 5 x 50	DIN 94
-39	1	Canopy restraint	6020191
-40	1	Support	

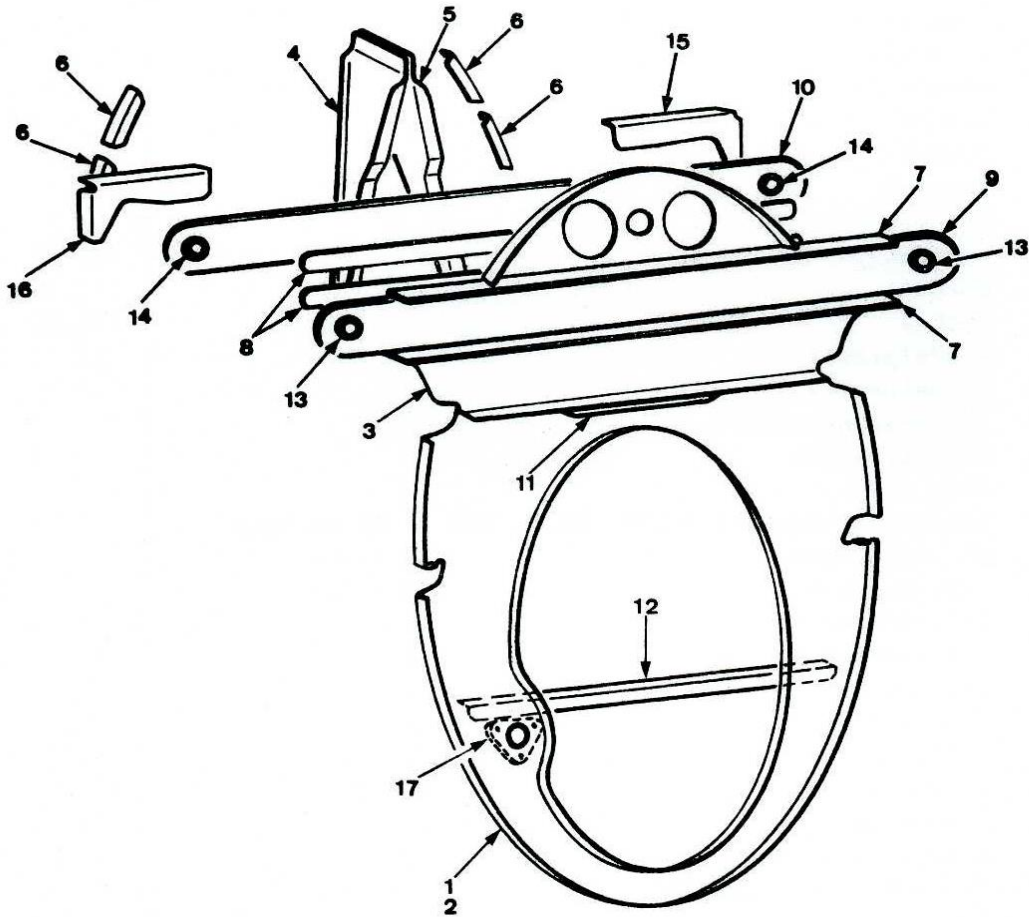
PILATUS B4-PC11

ALL METAL SAILPLANE

SPARE PARTS CATALOGUE

Figure 2/1/23

FRAME 5



PILATUS B4-PC11

ALL METAL SAILPLANE

SPARE PARTS CATALOGUE

Figure & Pos No	No Off	Description	Part No.
2/1/23		Hull rear part	
-1	1	Bulkhead frame 5	112.35.11.088
-2	1	Frame panel	112.35.11.099
-3	1	Frame panel	112.35.11.089
-4	1	Bracket right	112.35.11.090
-5	1	Bracket left	112.35.11.091
-6	5	Angle	112.35.11.092
-7	2	Angle profile	112.35.11.093
-8	2	Distance piece	112.35.11.094
-9	1	Fishplate with holes	112.35.11.095
-10	1	Fishplate without holes	112.35.11.096
-11	1	Angle profile	112.35.11.098
-12	1	Angle	112.35.11.100
-13	2	Bush	112.35.11.101
-14	2	Bush	111.35.11.009
-15	1	Support left	112.35.11.229
-16	1	Support right	112.35.11.230
-17	1	Guide	116.35.11.001

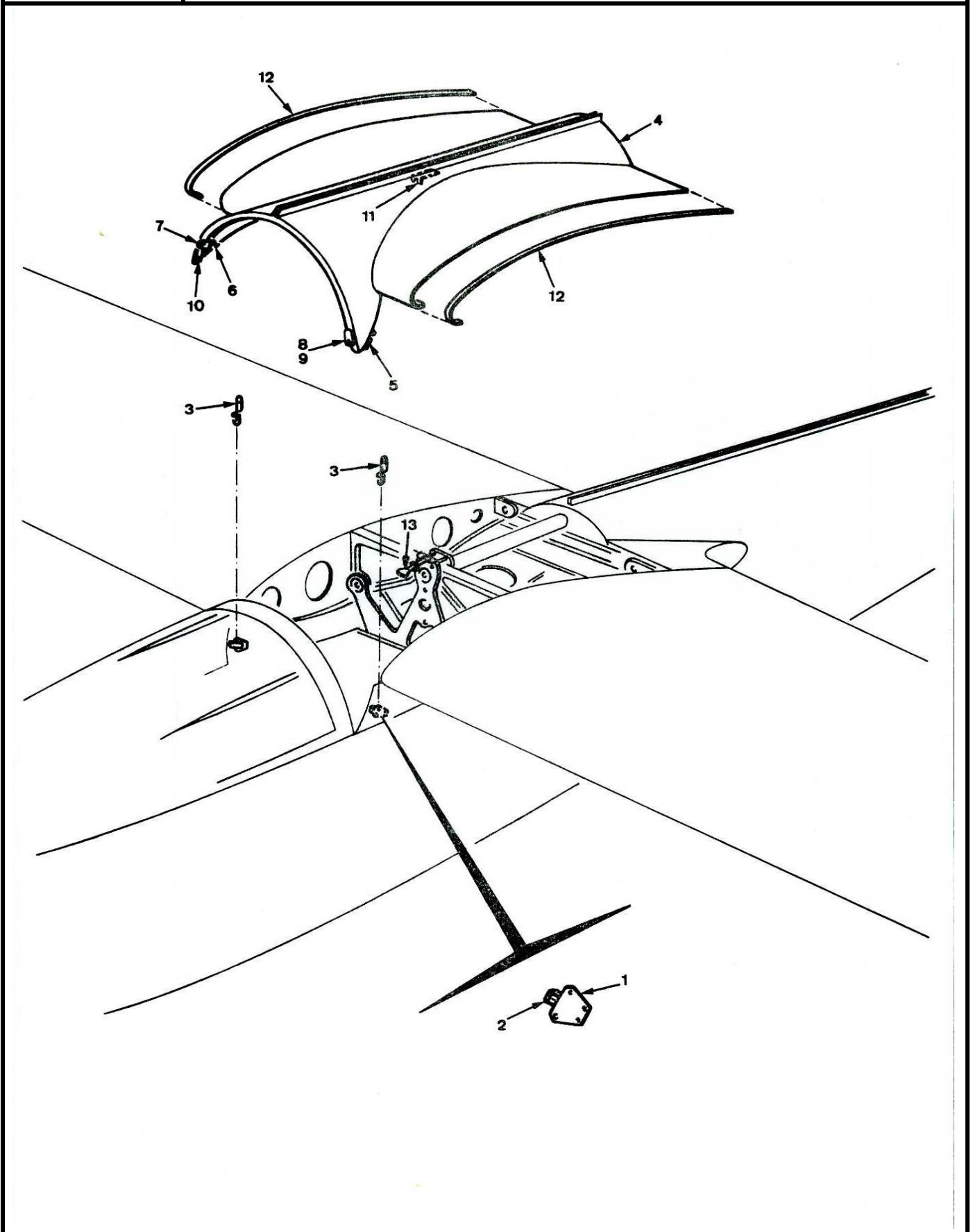
PILATUS B4-PC11

ALL METAL SAILPLANE

SPARE PARTS CATALOGUE

Figure 2/1/25

CENTRE COVER



PILATUS B4-PC11

ALL METAL SAILPLANE

SPARE PARTS CATALOGUE

Figure & Pos No	No Off	Description	Part No.
2/1/25		Centre Cover	
-1	2	Catch support	112.35.11.314
-2	1	Cover catch	944.51.20.009
		4488/42	
-3	2	Retaining pin	940.17.29.202
		NB 1110	
-4	1	Cover skin	112.35.11.280
-5	1	Locating strip left	112.35.11.295
-6	1	Locating strip right	112.35.11.296
-7	1	Canopy strap anchor point	112.35.11.207
-8	1	Reinforcing plate	112.35.11.233
		(Valid until No 34)	
-9	1	Reinforcing plate left	112.35.11.319
		(Valid from No 35)	
-10	1	Reinforcing plate right	112.35.11.320
		(Valid from No 35)	
-11	1	Cover catch	112.35.11.217
-12	div	Glass fibre tape 19mm	917.40.80.004
-13	1	Cover catch (rubber)	
		(See Fig. 2/1/21)	

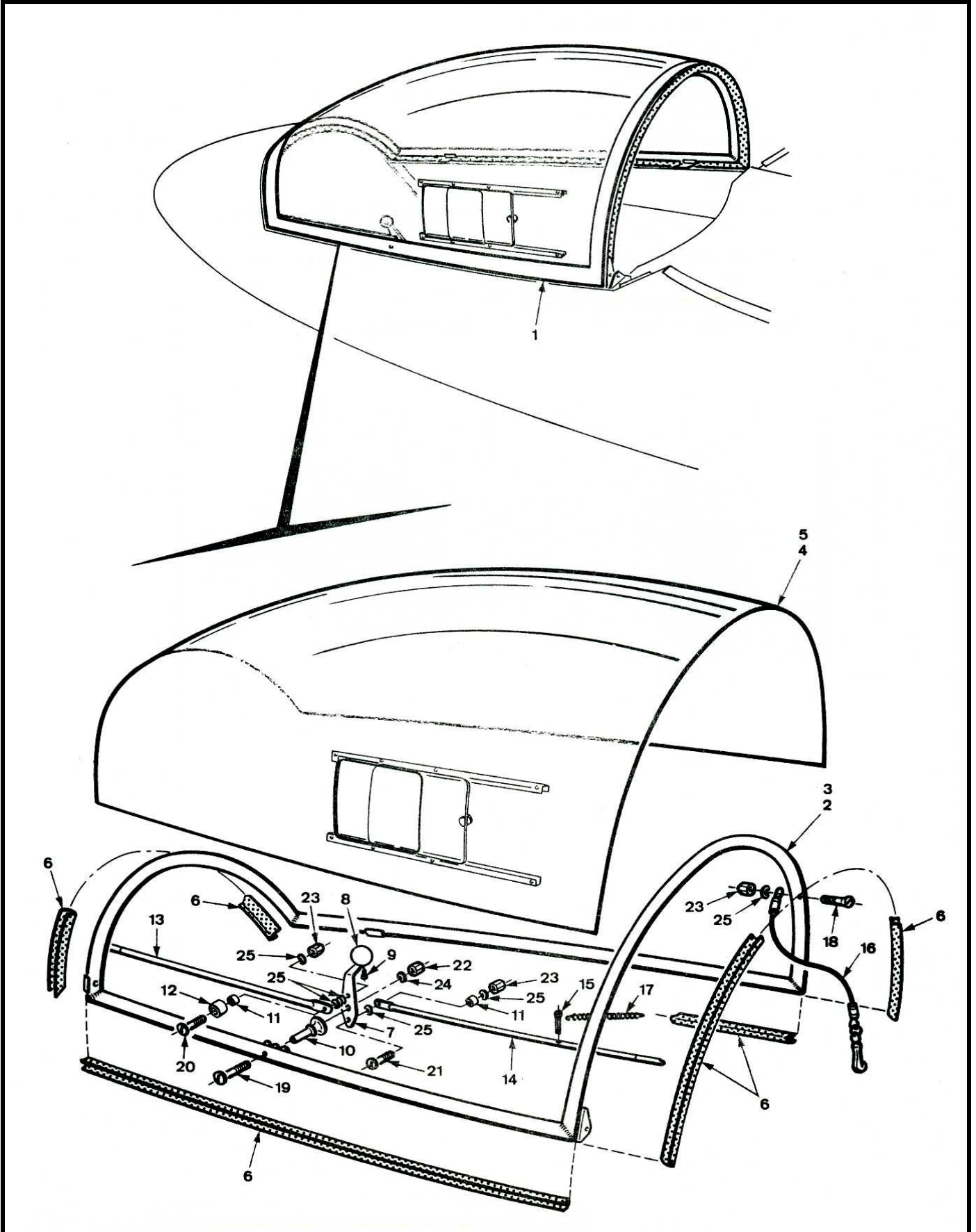
PILATUS B4-PC11

ALL METAL SAILPLANE

SPARE PARTS CATALOGUE

Figure 2/2/1

CANOPY



PILATUS B4-PC11

ALL METAL SAILPLANE

SPARE PARTS CATALOGUE

Figure & Pos No	No Off	Description	Part No.
2/2/1		Canopy arrangement	
-1	1	Canopy assembly	112.38.11.001
-2	1	Canopy support frame	112.38.11.002
-3	1	Tubular frame assembly	112.38.11.004
-4	1	Canopy glass complete (not tinted)	112.45.11.001
-5	1	Canopy glass complete (blue tinted)	112.45.11.002
-6	div.	Soft rubber section	112.38.11.003
-7	1	Release lever assembly	112.38.11.022
-8	1	Threaded knob 24mm dia M4	944.31.10.125
-9	1	Countersunk screw M4 x 12	933.11.31.024
-10	1	Spacer bush	112.38.11.023
-11	2	Bush	112.38.11.024
-12	1	Bush	112.38.11.025
-13	1	Locking bar front	112.38.11.026
-14	1	Locking bar rear	112.38.11.027
-15	1	Split pin 2 x 15	DIN 94 940.17.00.362
-16	1	Canopy stop wire complete	112.38.11.033
-17	1	Return spring	MS 24586-558
-18	1	Countersunk screw	AN 507-832-20
-19	1	Fl.R. Washer	AN 526-1032-26
-20	1	Fl.R. Washer	AN 526-832-12
-21	1	Fl.R. Washer	AN 526-832-8
-22	1	3/16 nut	AN 364-1032
-23	3	3/16 nut	AN 364-832
-24	1	Washer	AN 960-10
-25	7	Washer	AN 960-8

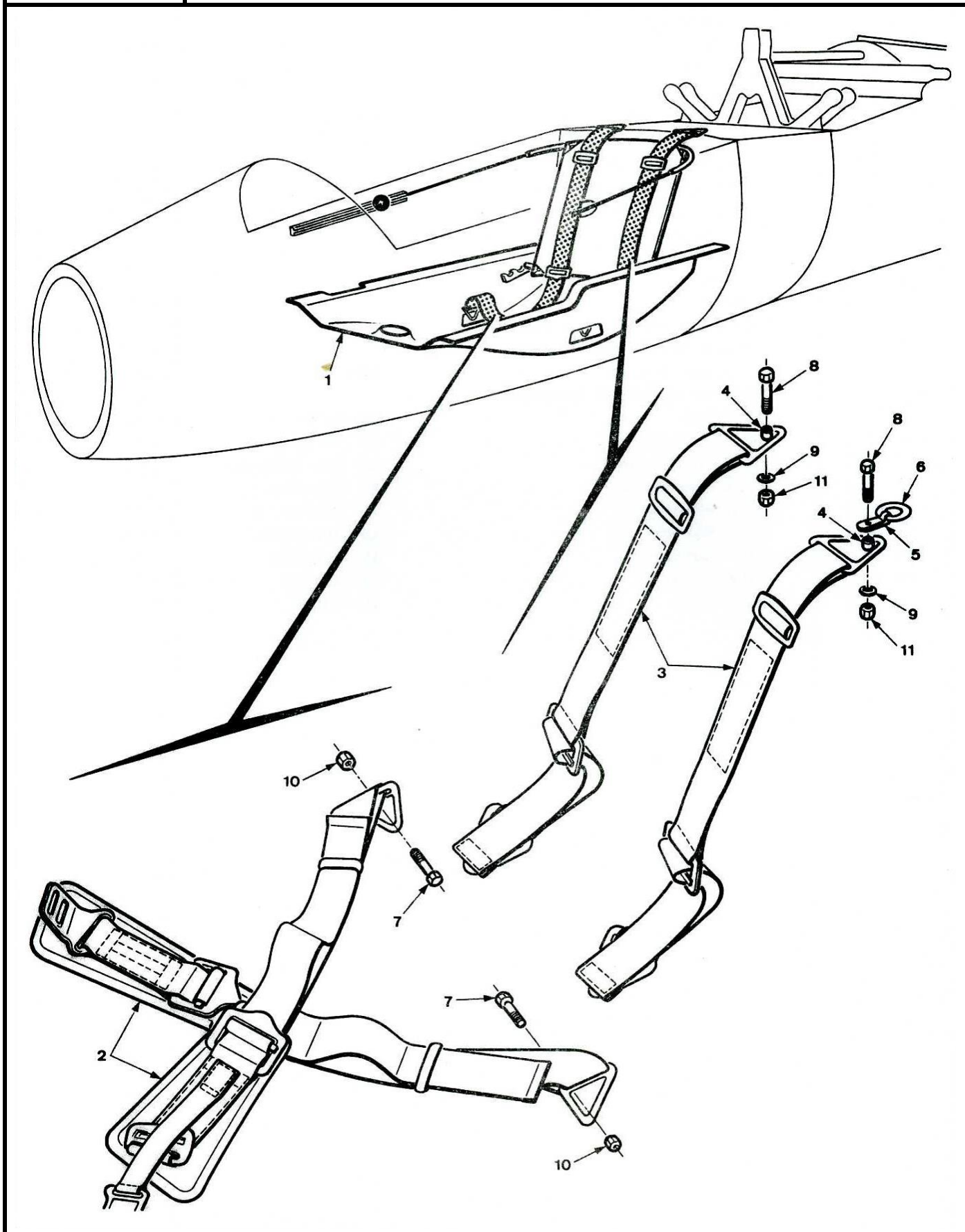
PILATUS B4-PC11

ALL METAL SAILPLANE

SPARE PARTS CATALOGUE

Figure 2/3/1

HARNESS 4 POINT



PILATUS B4-PC11

ALL METAL SAILPLANE

SPARE PARTS CATALOGUE

Figure & Pos No	No Off	Description	Part No.
2/3/1		Seat and harness assembly (Gadringer belts 4 point)	112.50.11.016
-1	1	Seat pan assembly with backrest (See Fig. 2/3/7)	
-2	1	Lap strap (pair) BAGU IV-D GADRINGER	959.11.31.205
-3	1	Shoulder strap (pair) SCHUGU II GADRINGER	959.11.31.211
-4	2	Tube	112.50.11.049
-5	1	Ring holder Nr. 12005A TOST	941.91.88.705
-6	1	Ring (red) Nr. 6420 Ø 2305 x 7 TOST	112.50.11.050
-7	2	1/4 screw AN 4C6A	932.19.60.128
-8	2	1/4 screw AN 4-11	932.19.21.130
-9	2	Washer AN 960-416L	938.77.11.114
-10	2	1/4 nut AN 364-428	938.07.18.124
-11	2	1/4 nut AN 365-428	938.07.18.144

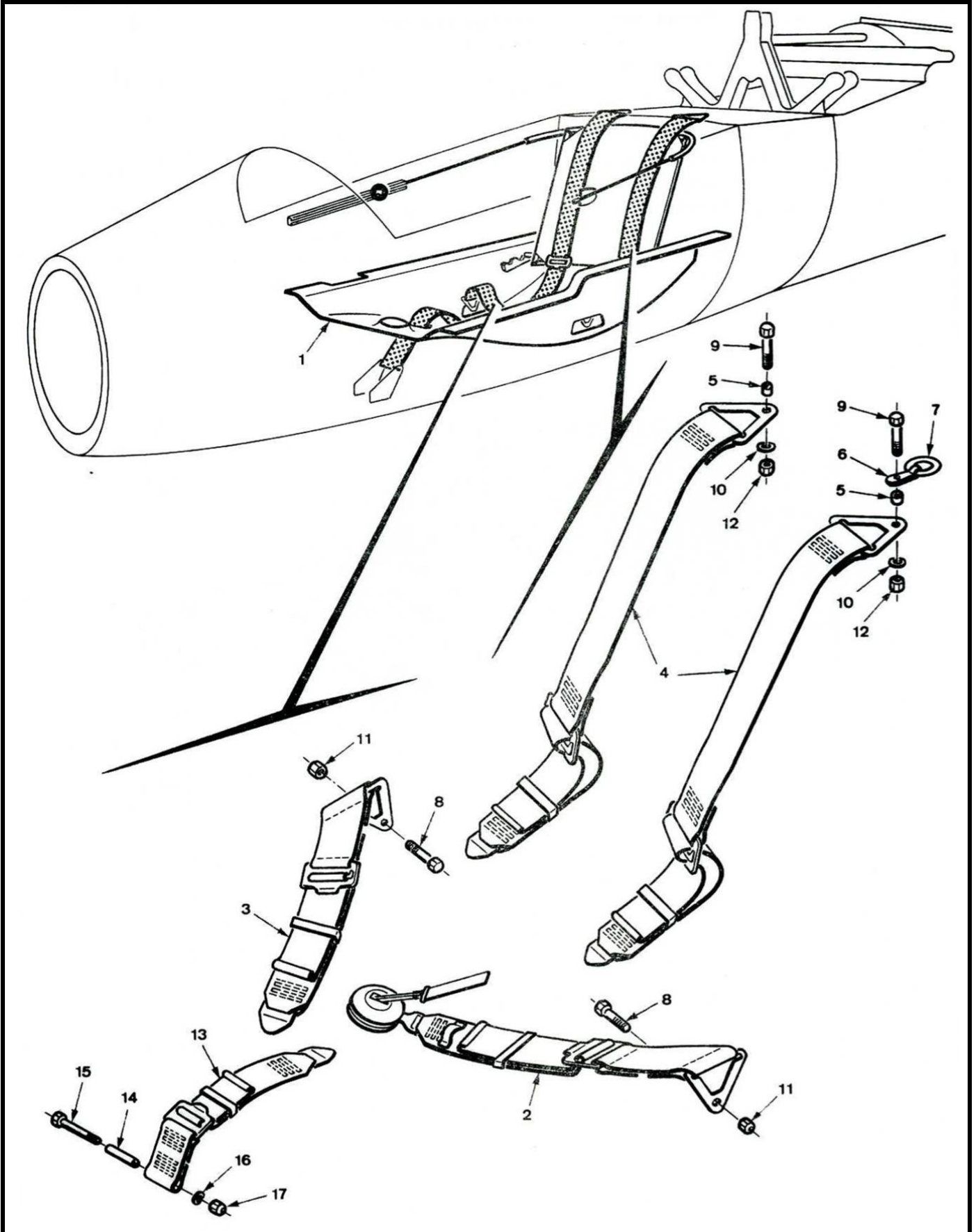
PILATUS B4-PC11

ALL METAL SAILPLANE

SPARE PARTS CATALOGUE

Figure 2/3/3

HARNESS 5 POINT



PILATUS B4-PC11

ALL METAL SAILPLANE

SPARE PARTS CATALOGUE

Figure & Pos No	No Off	Description	Part No.
2/3/3		Seat and harness assembly (Autoflug belts 4 point)	112.50.11.061
		Seat and harness assembly (Autoflug belts 5 point)	112.50.11.060
-1		Seat pan assembly with backrest (See Fig. 2/3/7)	
-2		Waist strap left AFG-04-156-02-04-02	959.11.31.242
-3		Waist strap right AFG-04-156-02-04-01	959.11.31.231
-4		Shoulder straps AFG-04-157-02-04-01	959.11.31.241
-5		Tube	112.50.11.049
-6		Ring holder Nr. 12005A TOST	941.91.88.705
-7		Ring (red) Nr. 6420 Ø 2305 x 7 TOST	112.50.11.050
-8		1/4 screw AN 4C6A	936.18.60.128
-9		1/4 screw AN 4-11	932.19.21.130
-10		Washer AN 960-416L	938.77.11.114
-11		1/4 nut AN 364-428	938.07.18.124
-12		1/4 nut AN 365-428	938.07.18.144
-13		* Crotch strap AFG-04-158-02-04-01	959.11.31.250
-14		* Distance tube	112.50.11.057
-15		* 3/16 bolt AN 3-23	932.19.21.016
-16		* Washer AN 960-10L	938.77.11.112
-17		* 3/16 nut AN 364-1032	938.07.18.123

* (Only valid for Autoflug belts 5 point)

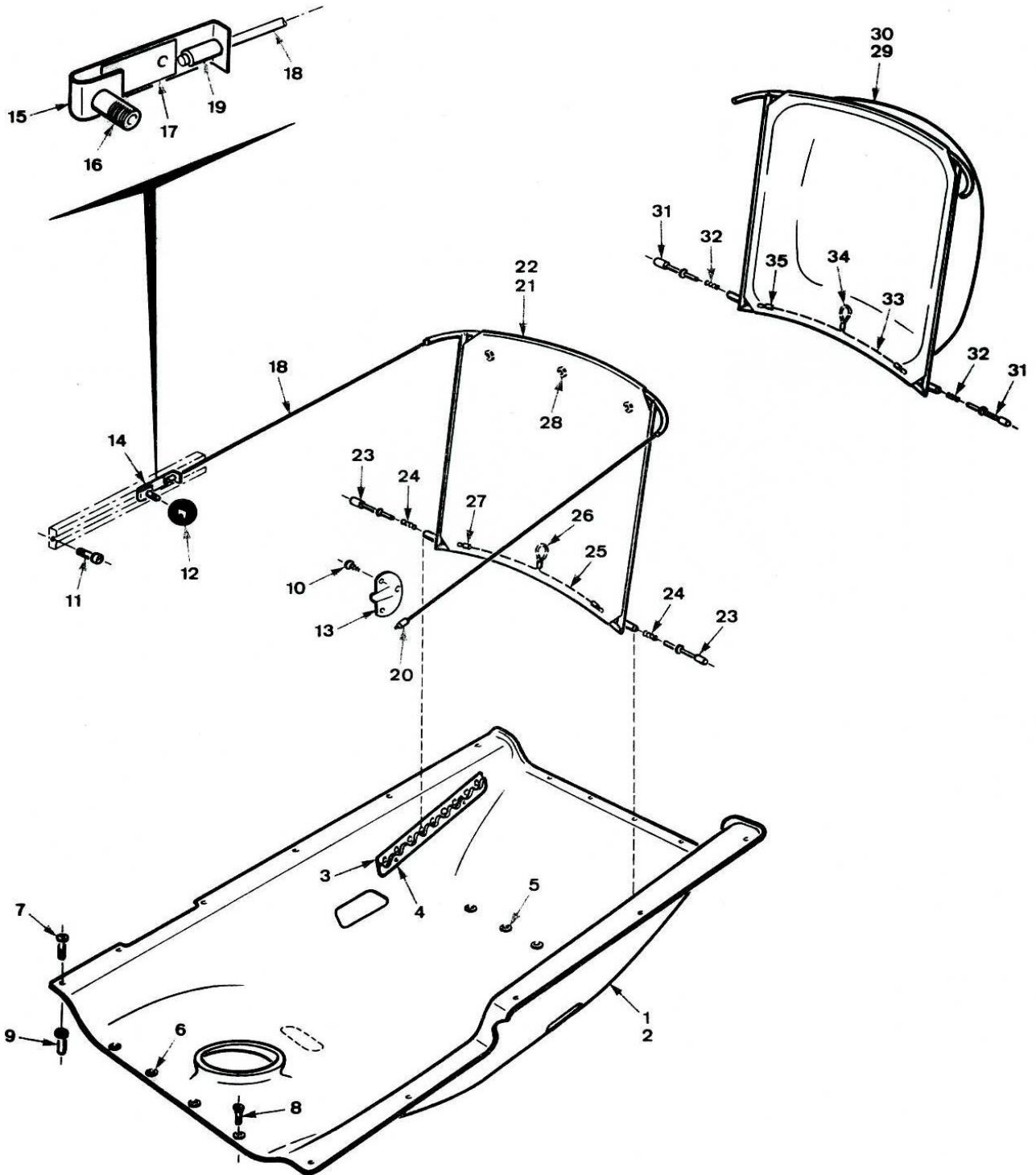
PILATUS B4-PC11

ALL METAL SAILPLANE

SPARE PARTS CATALOGUE

Figure 2/3/7

SEAT PAN WITH BACKREST



PILATUS B4-PC11

ALL METAL SAILPLANE

SPARE PARTS CATALOGUE

Figure & Pos No	No Off	Description	Part No.
2/3/7		Seat pan assembly and backrest	
-1	1	Seat pan assembly	112.50.11.026
-2	1	Seat pan	112.50.11.017
-3	2	Locating plate	112.50.11.011
-4	2	Back support plate	112.50.11.025
-5	3	Press stud No. 550	939.79.22.013
-6	4	Press stud No. 550	939.79.22.013
-7	15	FL.R. screw	AN 526-632-8 935.45.16.104
-8	4	Countersunk screw	AN 507-362-8 935.45.16.126
-9	15	Rivet nut GOODRICH	A6K75 LM 938.46.81.107
-10	3	Hr.-screw No.6 x 3/8"	935.83.01.018
-11	1	Zyl.K.- screw No.6 x 1/2"	930.83.01.119
-12	1	Knob black Ø 32 M8	944.31.10.106
-13	1	Cable holder	112.50.11.031
-14	1	Adjusting slide	112.50.11.027
-15	1	Screw	112.50.11.028
-16	1	Bolt	112.50.11.030
-17	1	Spring	112.50.11.029
-18	1	Steel cable Ø 3.4	1500mm long 919.12.58.002
-19	1	Cable clamp	18-1-C Cu 941.91.31.201
-20	1	Cable clamp	18-3-M Cu 941.91.31.203
-21	1	Backrest assembly	112.50.11.002
-22	1	Backrest	112.50.11.001
-23	2	Bolt	112.50.11.003
-24	2	Spring	6266.0045.01
-25	1	Steel cable Ø 1.8	460mm long 919.12.55.002
-26	1	Hose PVC clear	100mm long 917.96.38.102
-27	3	Cable clamp	18-1-C Cu 941.91.31.201
-28	3	Press stud No. 550	939.79.22.013
-29	1	Backrest assembly (on request only)	112.50.11.053
-30	1	Backrest	112.50.11.052
-31	2	Bolt	112.50.11.003
-32	2	Spring	6266.0045.01
-33	1	Steel cable Ø 1.8	460mm long 919.12.55.002
-34	1	Hose PVC clear	100mm long 917.96.38.102
-35	3	Cable clamp	18-1-C Cu 941.91.31.201

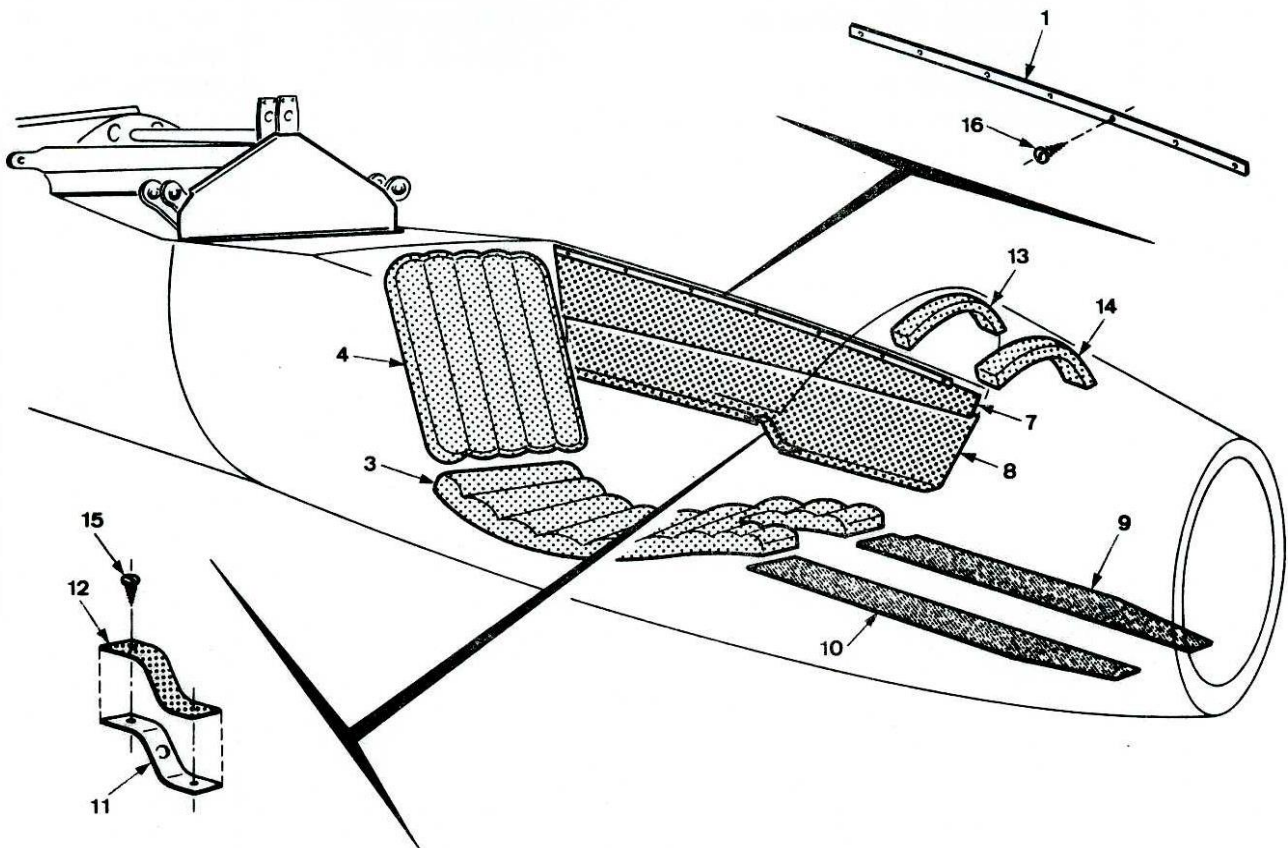
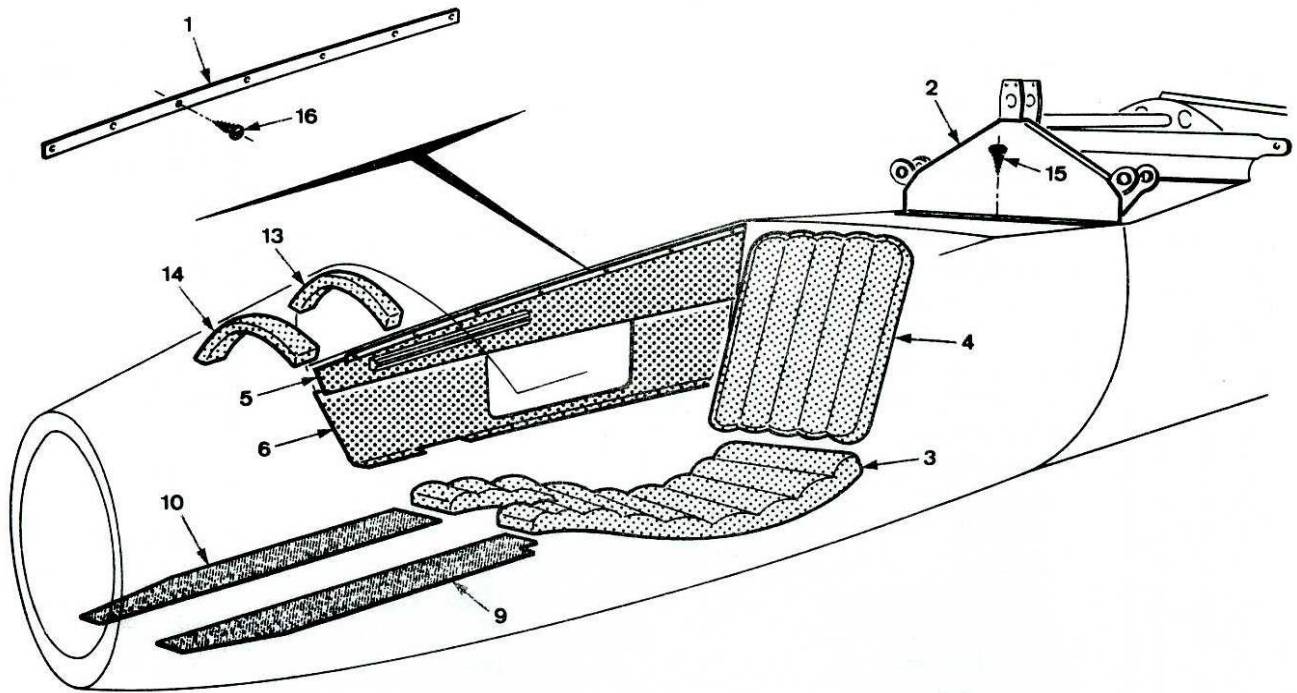
PILATUS B4-PC11

ALL METAL SAILPLANE

SPARE PARTS CATALOGUE

Figure 2/4/1

INTERIOR TRIM



PILATUS B4-PC11

ALL METAL SAILPLANE

SPARE PARTS CATALOGUE

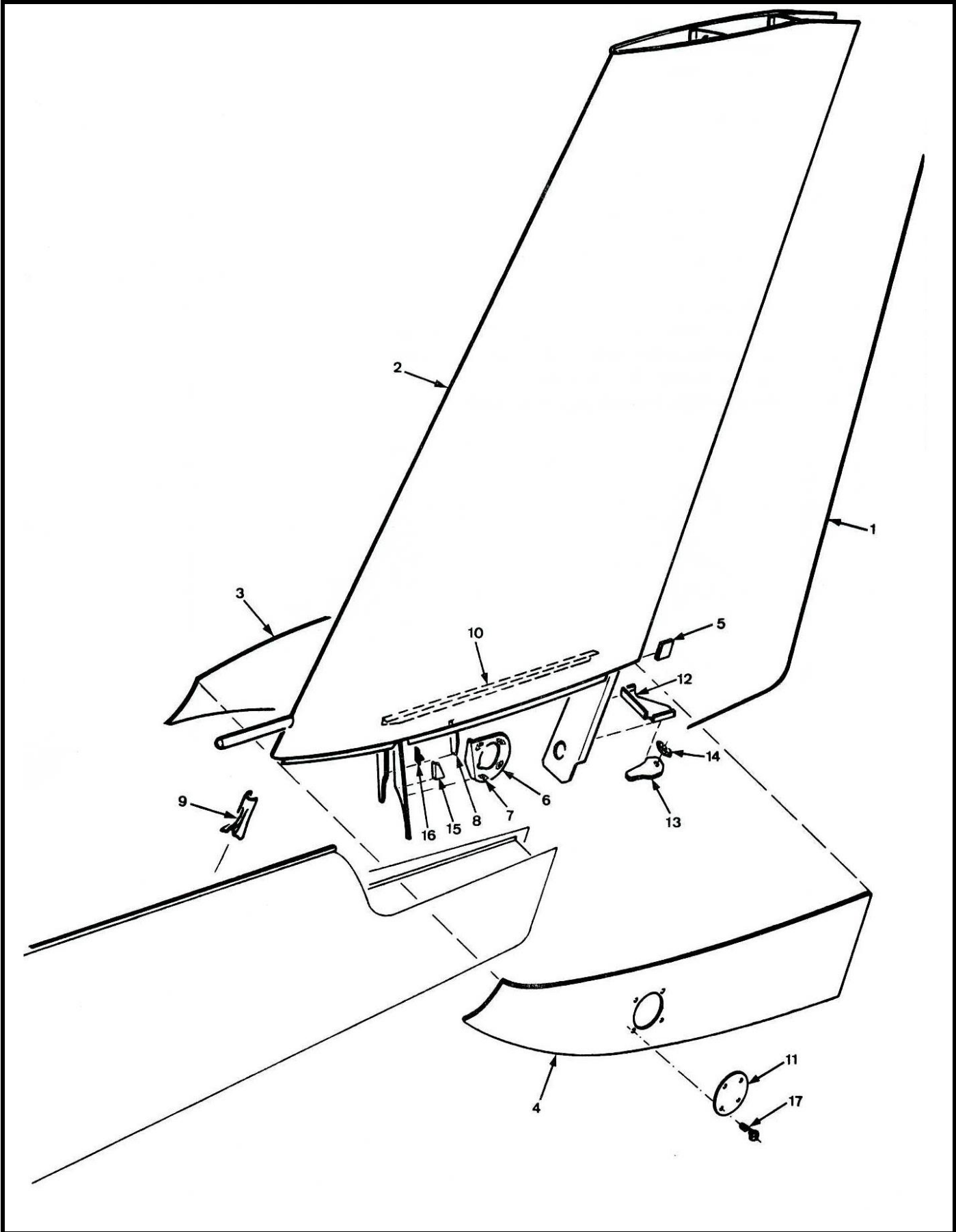
Figure & Pos No	No Off	Description	Part No.
2/4/1		Interior trim assembly	
-1	2	Edge protector	112.60.11.005
-2	1	Cover plate	112.60.11.018
-3	1	Seat cushion	112.50.11.033
-4	1	Back rest cushion	112.50.11.034
-5	1	Lining right	112.60.11.007
-6	1	Lining right	112.60.11.008
-7	1	Lining left	112.60.11.013
-8	1	Lining left	112.60.11.014
-9	1	Floor cover left Teflon	112.60.11.021
-10	1	Floor cover right Teflon	112.60.11.020
-11	1	Cover plate	112.60.11.017
-12	1	Lining	112.60.11.019
-13	1	Polyurethane foam 30 x 40 x 240	917.12.32.029
-14	1	Polyurethane foam 30 x 60 x 240	917.12.32.029
-15	5	Self-tapping screw No. 4 x 1/4"	935.83.01.001
-16	14	Countersunk screw No. 4 x 1/4"	933.83.01.101

PILATUS B4-PC11

ALL METAL SAILPLANE

SPARE PARTS CATALOGUE

Figure 3/0/1 VERTICAL STABILISER ASSEMBLY



PILATUS B4-PC11

ALL METAL SAILPLANE

SPARE PARTS CATALOGUE

Figure & Pos No	No Off	Description	Part No.
3/0/1		Vertical stabiliser assembly	112.35.11.184
-1		Rudder assembly (See Fig. 3/1/3)	
-2		Fin assembly (See Fig. 3/1/1)	
-3		Fairing right	113.35.11.056
-4		Fairing left	113.35.11.057
-5		Strengtheners	113.35.11.051
-6		Inspection hatch frame	113.35.11.054
-7		3/16 Rivet nut AN 366 F 632	938.42.28.101
-8		Reinforcement bracket	113.35.11.047
-9		Nose cone	113.35.11.050
-10		Stringer	113.35.11.048
-11		Cover	110.65.11.008
-12		Support	113.35.11.052
-13		Mounting plate	113.35.11.053
-14		3/16 Rivet nut AN 366-F-428	938.42.28.104
-15		Support bracket	113.35.11.063
-16		Support bracket	113.35.11.064
-17		Countersunk screw AN 507-632-8	933.45.16.126

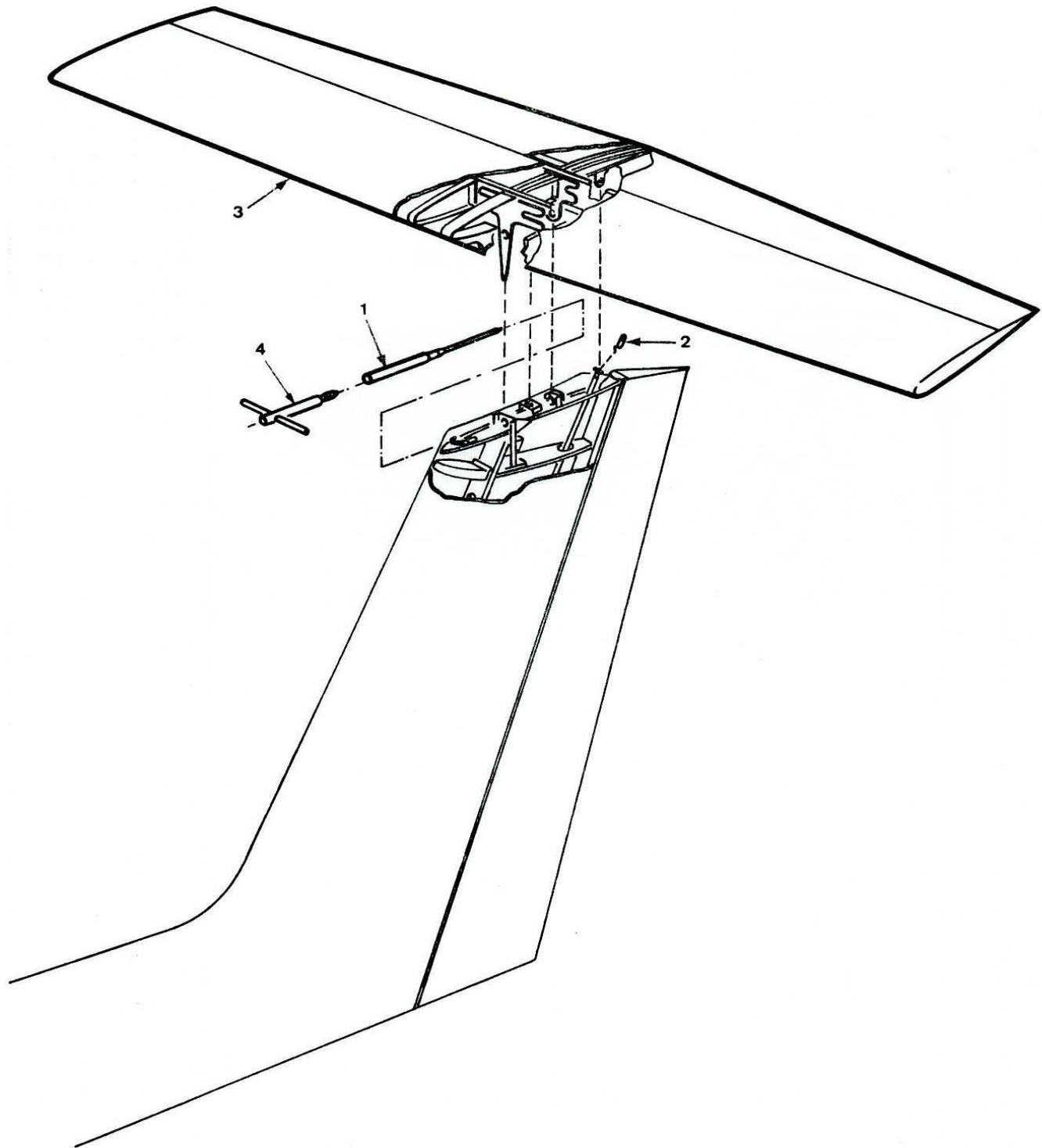
PILATUS B4-PC11

ALL METAL SAILPLANE

SPARE PARTS CATALOGUE

Figure 3/0/3

HORIZONTAL STABILISER ASSEMBLY



PILATUS B4-PC11

ALL METAL SAILPLANE

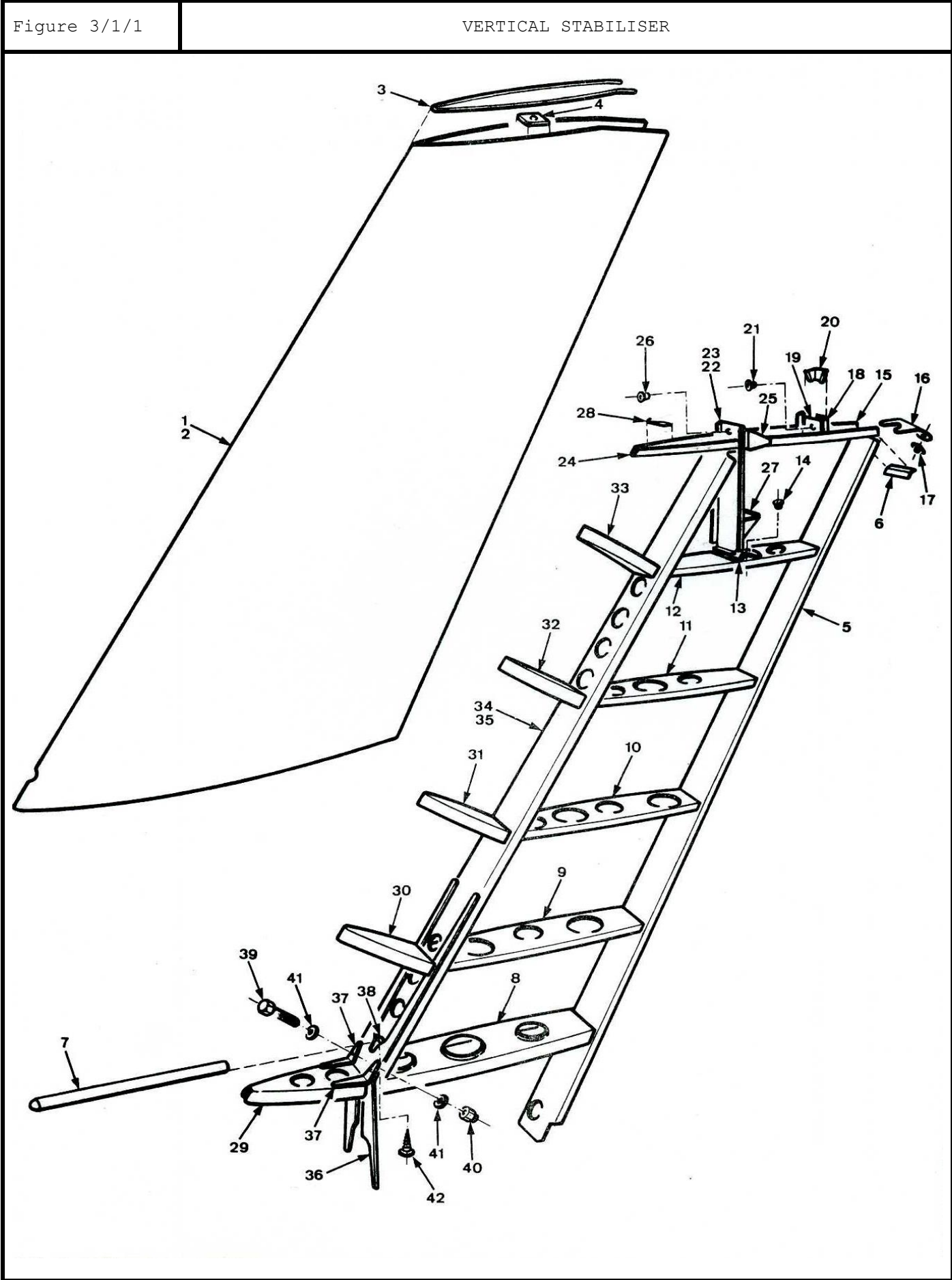
SPARE PARTS CATALOGUE

Figure & Pos No	No Off	Description	Part No.
3/0/3		Horizontal stabiliser mounting	
-1	1	Locating pin	113.35.11.030
-2	1	Safety pin	940.17.29.201
-3	1	Horizontal stabiliser assembly	
-4	1	Extraction device	110.85.11.001

PILATUS B4-PC11

ALL METAL SAILPLANE

SPARE PARTS CATALOGUE



PILATUS B4-PC11

ALL METAL SAILPLANE

SPARE PARTS CATALOGUE

Figure & Pos No	No Off	Description	Part No.
3/1/1		Fin frame and skin	
-1	1	Fin frame assembly	113.35.11.037
-2	1	Skin	113.35.11.040
-3	1	Edge protector	A-671 Nr. PVC 113.35.11.041
-4	1	Locating plate assembly	113.35.11.039
-5	1	Rear spar	113.35.11.035
-6	1	Angle bracket	113.35.11.031
-7	1	Handle	113.35.11.044
-8	1	Midrib 2	113.35.11.024
-9	1	Midrib 3	113.35.11.025
-10	1	Midrib 4	113.35.11.004
-11	1	Midrib 5	113.35.11.003
-12	1	Midrib 6 assembly	113.35.11.036
-13	1	Plate	113.35.11.012
-14	1	Bush	113.35.11.023
-15	1	Midrib 7 assembly	113.35.11.033
-16	1	Fitting	113.35.11.029
-17	1	3/16 Rivet nut	AN 366 F 428 938.42.28.104
-18	1	Support	113.35.11.011
-19	1	Doubler	113.35.11.014
-20	1	Tapered guide	113.35.11.013
-21	1	Bush	113.35.11.021
-22	1	Auxiliary spar assembly	113.35.11.038
-23	1	Auxiliary spar	113.35.11.009
-24	1	Front rib 7	113.35.11.016
-25	1	Strengtheners	113.35.11.019
-26	1	Bush	113.35.11.022
-27	1	Tapered guide	113.35.11.010
-28	1	Retaining spring	113.35.11.032
-29	1	Front rib 2	113.35.11.043
-30	1	Front rib 3 (Foam)	113.35.11.005
-31	1	Front rib 4 (Foam)	113.35.11.006
-32	1	Front rib 5 (Foam)	113.35.11.007
-33	1	Front rib 6 (Foam)	113.35.11.008
-34	1	Main spar assembly	113.35.11.042
-35	1	Main spar	113.35.11.034
-36	1	Connection plate	113.35.11.060
-37	2	Flap	113.35.11.059
-38	1	Angle bracket	113.35.11.058
-39	2	3/16 screw	AN 3-6A 932.19.21.028
-40	2	3/16 nut	AN 365-1032 938.07.18.143
-41	4	Washer	AN 960-10L 938.77.11.112
-42	1	Hr. washer No. 6 x 1/4	935.83.01.019

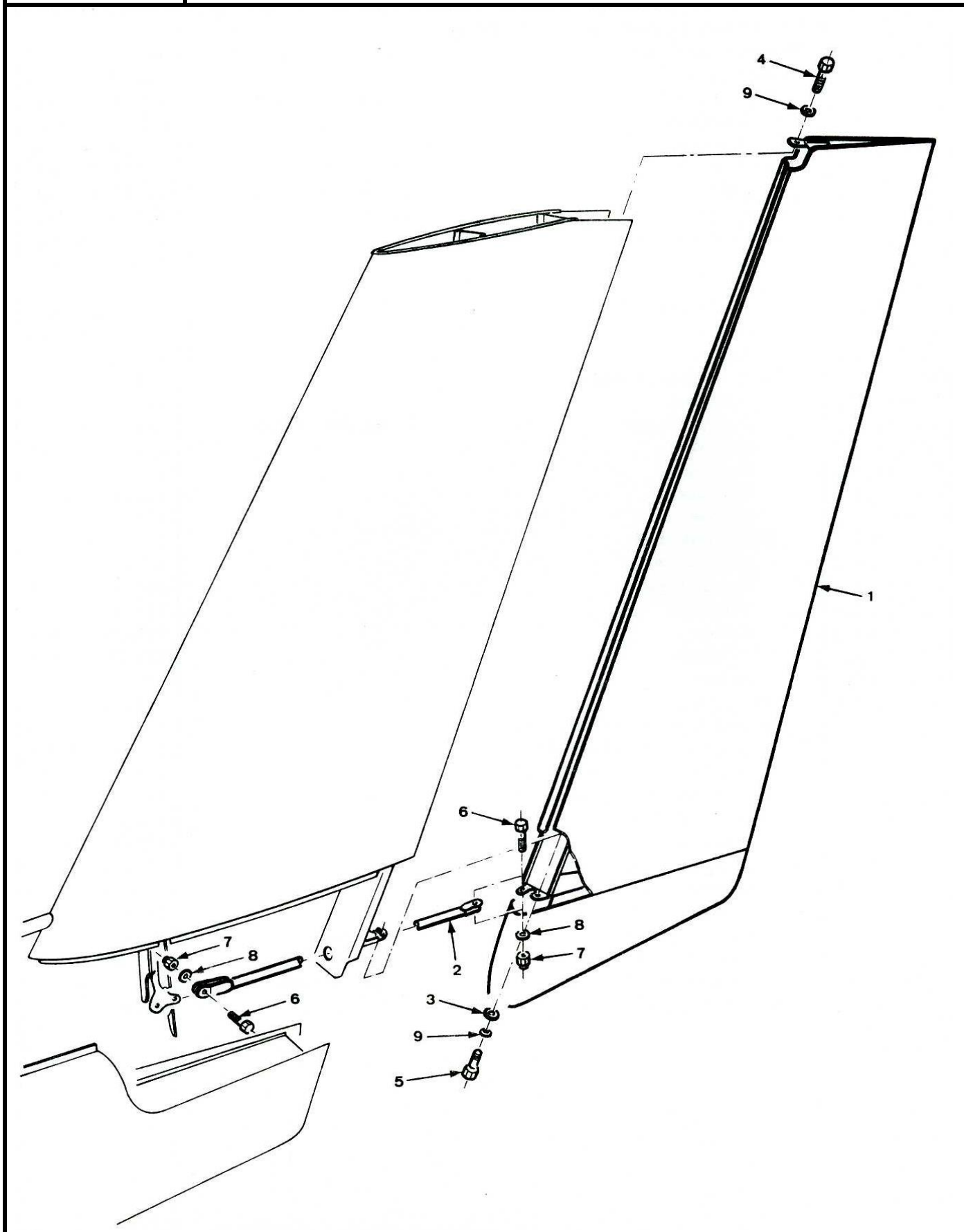
PILATUS B4-PC11

ALL METAL SAILPLANE

SPARE PARTS CATALOGUE

Figure 3/1/3

RUDDER MOUNTINGS



PILATUS B4-PC11

ALL METAL SAILPLANE

SPARE PARTS CATALOGUE

Figure & Pos No	No Off	Description	Part No.
3/1/3		Rudder mounting	113.30.11.002
-1	1	Rudder assemble (See Fig. 3/1/5)	
-2	1	Pushrod assembly	116.35.11.061
-3	1	1/4" Washer	113.30.11.004
-4	1	1/4" screw	AN 174 C11 932.19.60.430
-5	1	1/4" screw	AN 174 C12A 932.19.60.446
-6	2	3/16" screw	AN 173 C7A 932.19.60.422
-7	2	3/16" nut	AN 365-1032 938.07.18.143
-8	2	3/16" Washer	AN 960-10L 938.77.11.112
-9	2	1/4" Washer	AN 960-416 938.77.11.115

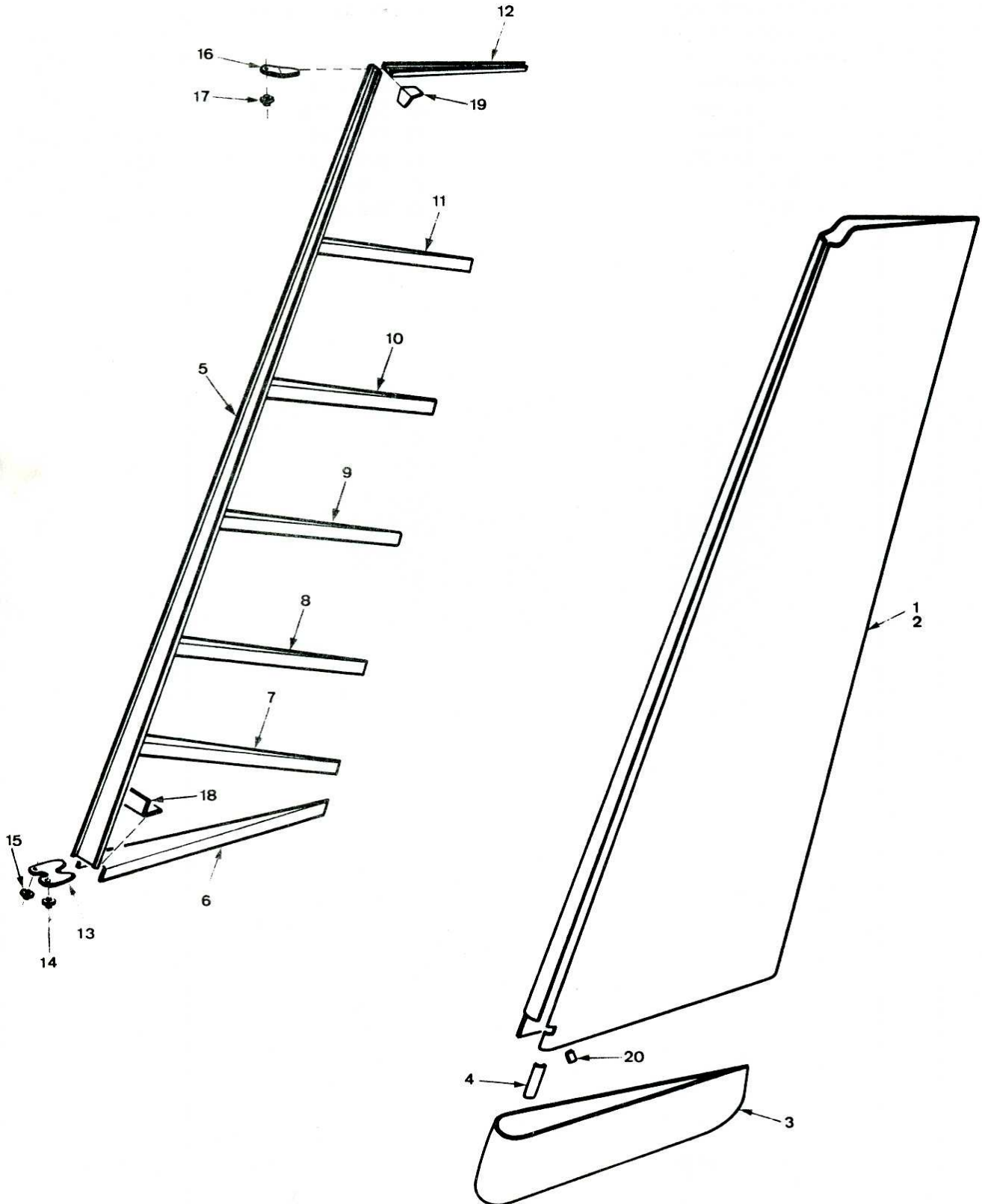
PILATUS B4-PC11

ALL METAL SAILPLANE

SPARE PARTS CATALOGUE

Figure 3/1/5

RUDDER ASSEMBLY



PILATUS B4-PC11

ALL METAL SAILPLANE

SPARE PARTS CATALOGUE

Figure & Pos No	No Off	Description	Part No.
3/1/5		Rudder	
-1	1	Rudder assembly	113.40.11.001
-2	1	Rudder skin	113.40.11.002
-3	1	Edge cap	113.40.11.014
-4	1	Strengthenener	113.40.11.019
-5	1	Spar	113.40.11.010
-6	1	Rib 1	113.40.11.012
-7	1	Rib 2 (Foam)	113.40.11.006
-8	1	Rib 3 (Foam)	113.40.11.007
-9	1	Rib 4 (Foam)	113.40.11.008
-10	1	Rib 5 (Foam)	113.40.11.009
-11	1	Rib 6 (Foam)	113.40.11.015
-12	1	Top rib 7	113.40.11.003
-13	1	Lower rudder pivot	113.40.11.013
-14	1	Self-aligning ball bearing	AN 200 KS 4 940.83.28.608
-15	1	Self-aligning ball bearing	AN 200 KS 3 940.83.28.607
-16	1	Upper rudder pivot	113.40.11.016
-17	1	Self-aligning ball bearing	AN 200 KS 4 940.83.28.608
-18	1	Angle bracket lower	113.40.11.011
-19	1	Angle bracket upper	113.40.11.005
-20	1	Strengthenener	113.40.11.020

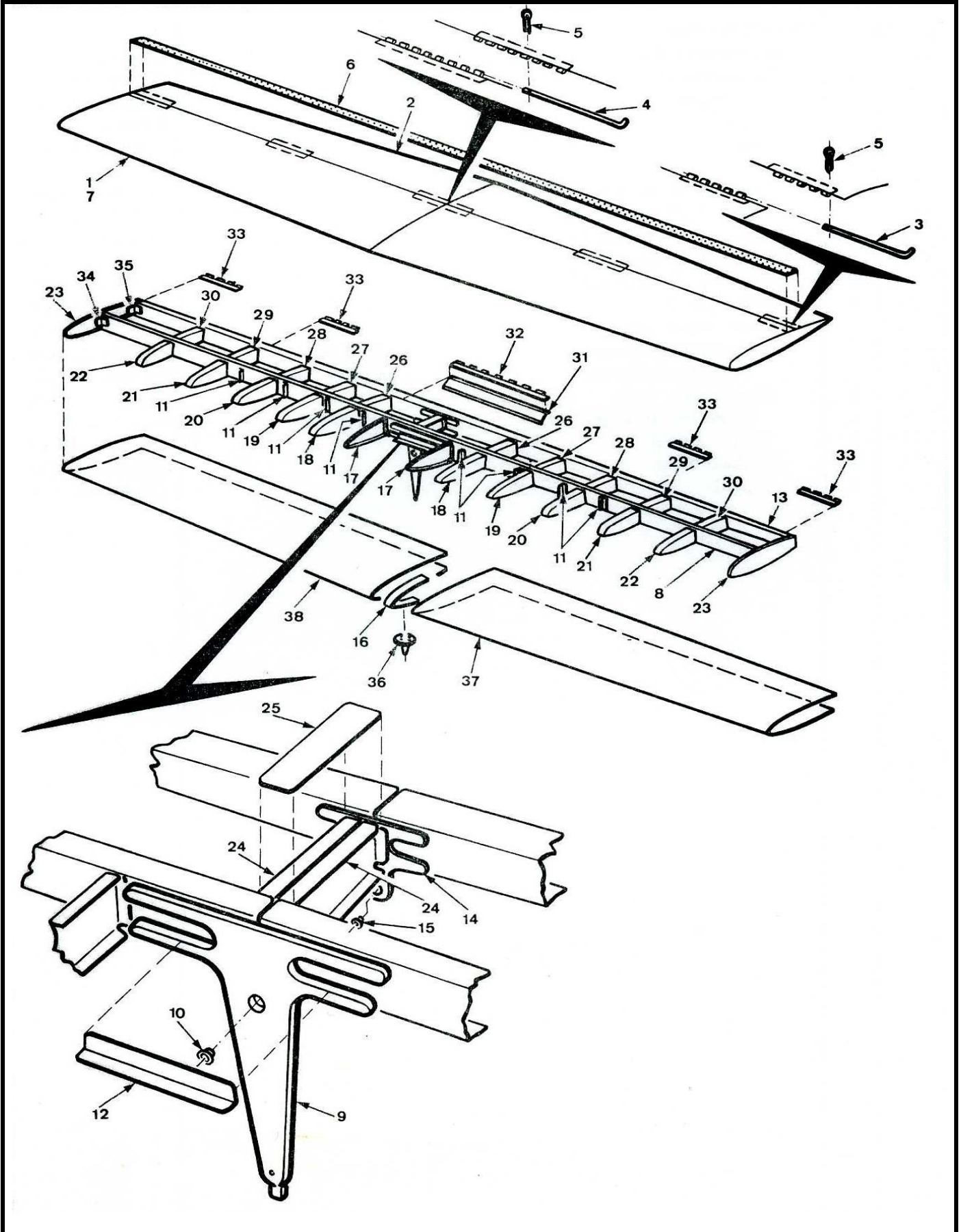
PILATUS B4-PC11

ALL METAL SAILPLANE

SPARE PARTS CATALOGUE

Figure 3/2/1

HORIZONTAL STABILISER ASSEMBLY



PILATUS B4-PC11

ALL METAL SAILPLANE

SPARE PARTS CATALOGUE

Figure & Pos No	No Off	Description	Part No.
3/2/1		Horizontal stabiliser and elevator	
-1	1	Horizontal stabiliser assembly	113.30.11.001
-2	1	Elevator (See Fig. 3/2/3)	
-3	4	Hinge wire	113.30.11.003
-4	1	Hinge wire	111.45.11.047
-5	5	Split pin 1,5 x 15 DIN 94	940.17.00.343
-6	1	Teflon sealing tape 19mm x 3.1 m	917.40.70.009
-7	1	Horizontal stabiliser assembly	113.45.11.036
-8	1	Main spar assembly	113.45.11.001
-9	1	Locating bracket	113.45.11.006
-10	1	Bush	113.45.11.042
-11	8	Angle bracket	113.45.11.007
-12	1	Angle bracket	113.45.11.035
-13	1	Auxiliary spar	113.45.11.009
-14	1	Locating bracket	113.45.11.012
-15	1	Bush	113.45.11.041
-16	1	Band	113.45.11.030
-17	2	Front rib 2	113.45.11.014
-18	2	Front rib 3 (Foam)	113.45.11.015
-19	2	Front rib 4 (Foam)	113.45.11.016
-20	2	Front rib 5 (Foam)	113.45.11.017
-21	2	Front rib 6 (Foam)	113.45.11.018
-22	2	Front rib 7 (Foam)	113.45.11.019
-23	2	Front rib 9	113.45.11.021
-24	2	Middle rib 1	113.45.11.022
-25	2	Strengtheners	113.45.11.029
-26	2	Middle rib 3 (Foam)	113.45.11.023
-27	2	Middle rib 4 (Foam)	113.45.11.024
-28	2	Middle rib 5 (Foam)	113.45.11.025
-29	2	Middle rib 6 (Foam)	113.45.11.026
-30	2	Middle rib 7 (Foam)	113.45.11.027
-31	1	Gusset	113.45.11.033
-32	1	Hinge	113.45.11.020
-33	4	Hinge	113.45.11.034
-34	2	Angle bracket	113.45.11.031
-35	2	Angle bracket	113.45.11.032
-36	1	Locating spigot	113.45.11.044
-37	1	Skin	113.45.11.037
-38	1	Skin	113.45.11.038

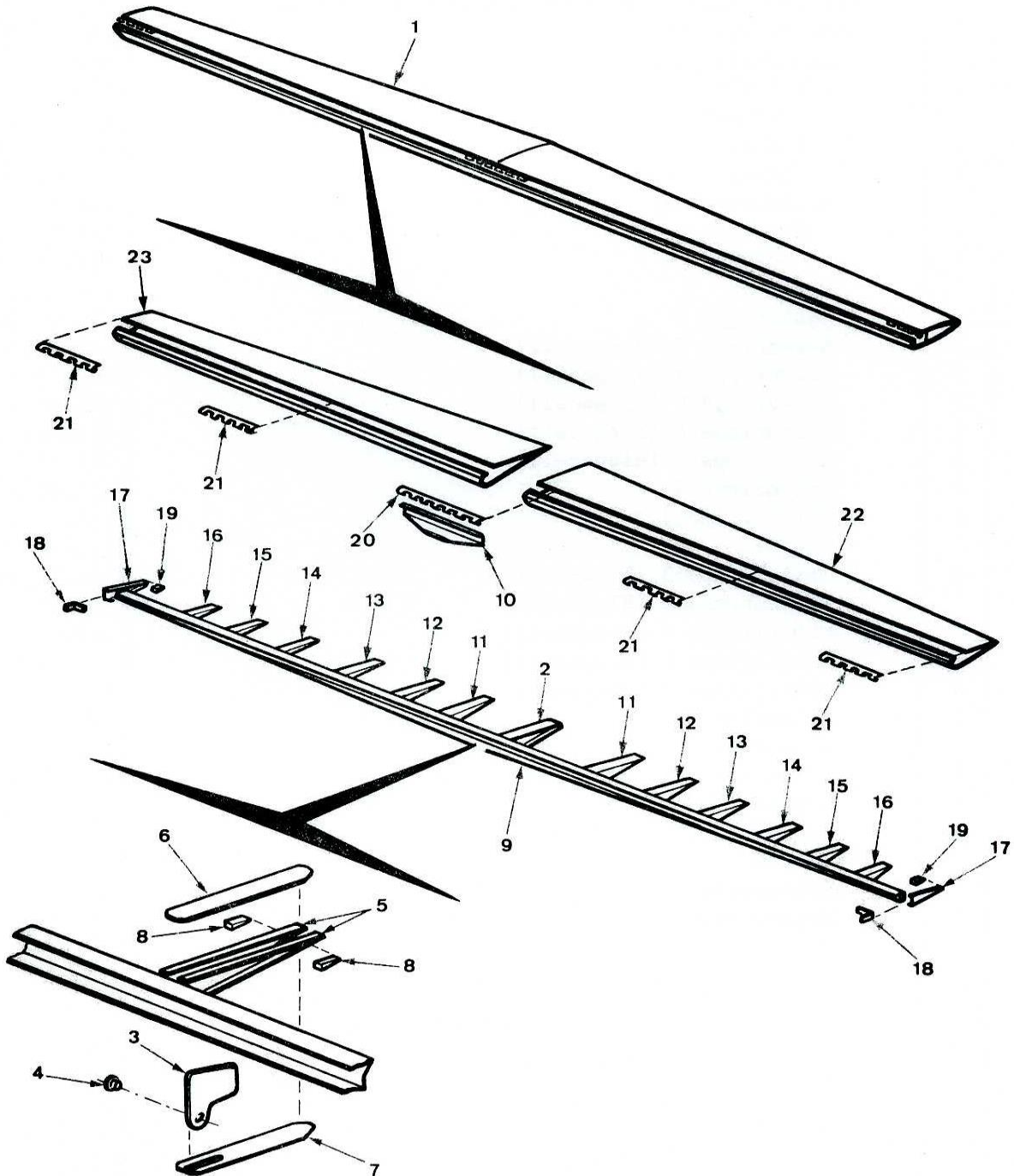
PILATUS B4-PC11

ALL METAL SAILPLANE

SPARE PARTS CATALOGUE

Figure 3/2/3

ELEVATOR ASSEMBLY



PILATUS B4-PC11

ALL METAL SAILPLANE

SPARE PARTS CATALOGUE

Figure & Pos No	No Off	Description	Part No.
36/2/3		Elevator	
-1	1	Elevator assembly	
-2	1	Elevator connection assembly	
-3	1	Connection plate	
-4	1	Bush	
-5	2	Rear rib 1	
-6	1	Top plate	
-7	1	Bottom plate	
-8	2	Wedge	
-9	2	Main spar	
-10	1	Strengthening profile	
-11	2	Rear rib 3 (Foam)	
-12	2	Rear rib 4 (Foam)	
-13	2	Rear rib 5 (Foam)	
-14	2	Rear rib 6 (Foam)	
-15	2	Rear rib 7 (Foam)	
-16	2	Rear rib 8 (Foam)	
-17	2	Rear rib 9	
-18	2	Angle bracket	
-19	2	Wedge	
-20	1	Hinge	
-21	4	Hinge	
-22	1	Skin	
-23	1	Skin	

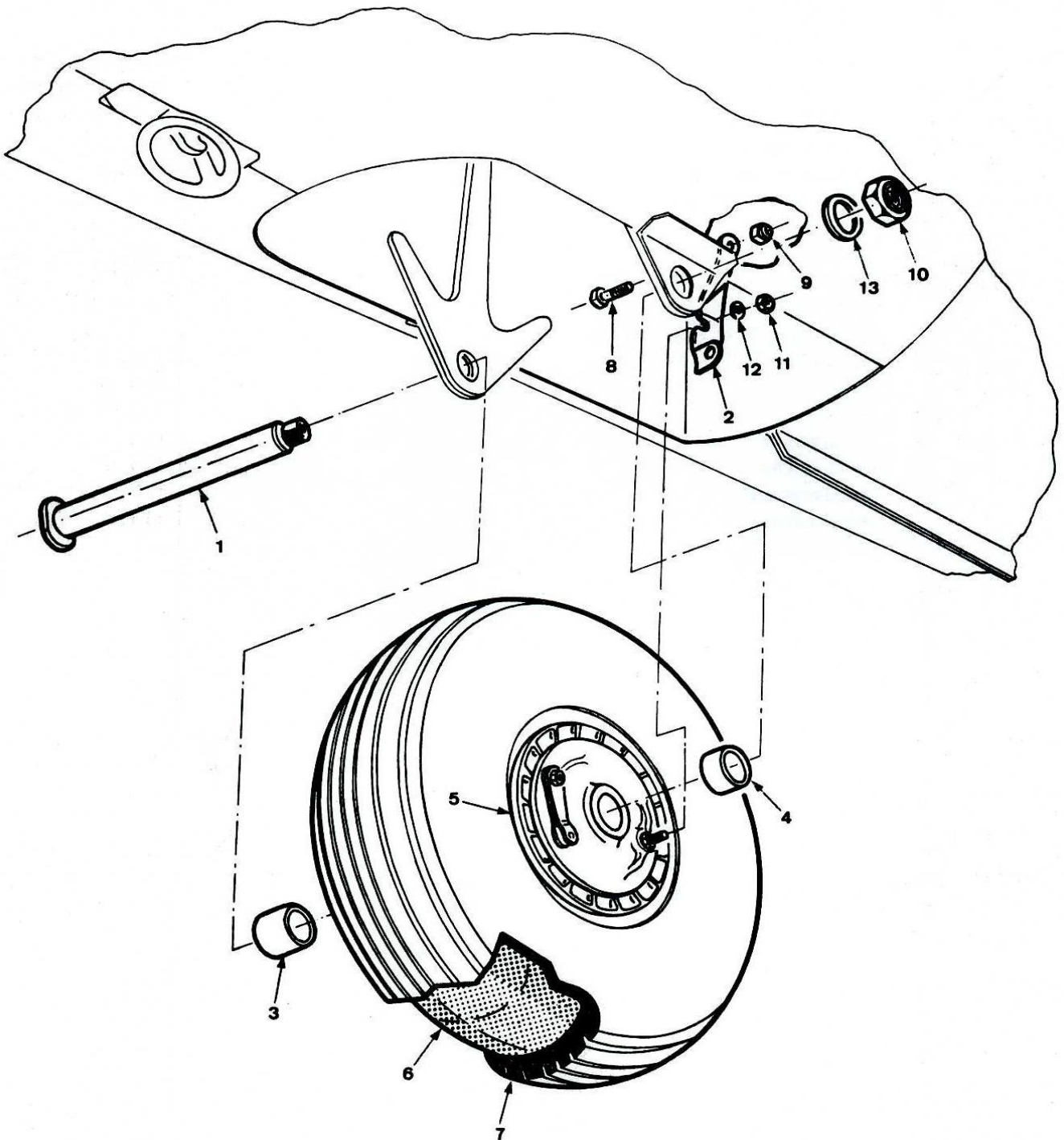
PILATUS B4-PC11

ALL METAL SAILPLANE

SPARE PARTS CATALOGUE

Figure 4/1/1

UNDERCARRAGE (FIXED)



PILATUS B4-PC11

ALL METAL SAILPLANE

SPARE PARTS CATALOGUE

Figure & Pos No	No Off	Description	Part No.
4/1/1		Main landing gear (Fixed)	
-1	1	Axle	114.35.11.048
-2	1	Brake cable connector	114.35.11.028
-3	1	Spacer	114.35.11.043
-4	1	Spacer	114.35.11.047
-5	1	Wheel 5" Nr. 13302	"TOST" 959.51.85.107
-6	1	Tyre 5.50"-5" Nr. 13651	"TOST" 959.61.85.108
-7	1	Inner tube 5.50"-5" Nr. 13650	"TOST" 959.63.85.108
-8	1	Screw	AN 4C16A 938.19.60.128
-9	1	Nut	AN 364-428 938.07.18.124
-10	1	Nut	AN 364-820 938.07.18.128
-11	1	Nut M 8	NB 1064 938.02.47.105
-12	1	Lock washer J 8,2	DIN 6797 938.83.11.148
-13	1	Washer	AN 960-816 938.77.11.123

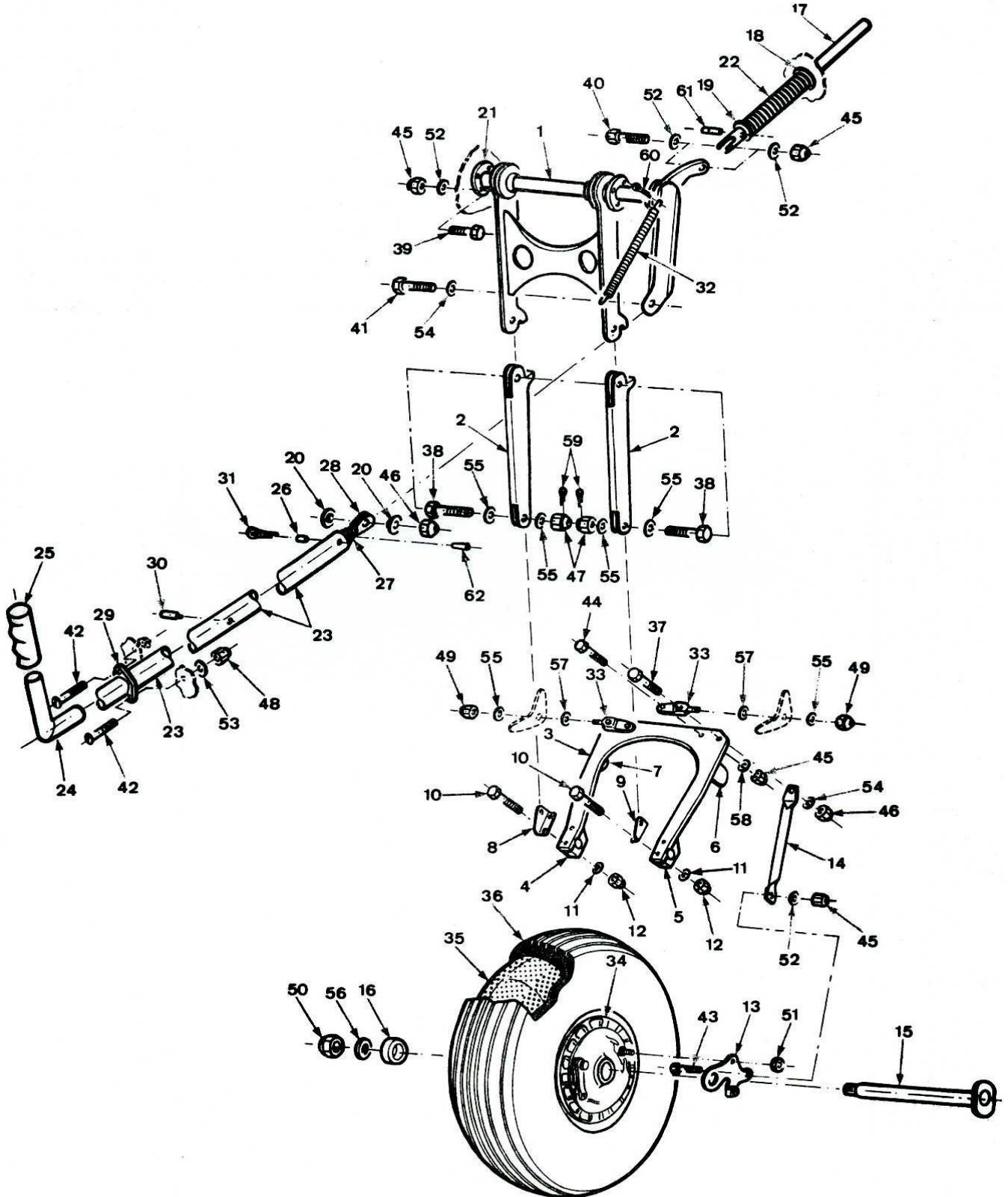
PILATUS B4-PC11

ALL METAL SAILPLANE

SPARE PARTS CATALOGUE

Figure 4/1/3

UNDERCARRAGE (RETRACABLE)



PILATUS B4-PC11

ALL METAL SAILPLANE

SPARE PARTS CATALOGUE

Figure & Pos No	No Off	Description	Part No.
4/1/3		Main landing gear (Retractable)	114.35.11.001
-1	1	Upper frame and pivot	114.35.11.021
-2	2	Landing gear struts	114.35.11.008
-3	1	Wheel fork assembly	114.35.11.006
-4	1	Axel bracket right	114.35.11.050
-5	1	Axel bracket left	114.35.11.049
-6	1	Door stop	114.35.11.016
-7	1	Door stop	114.35.11.017
-8	1	Connection bracket	114.35.11.002
-9	1	Connection bracket	114.35.11.003
-10	4	Screw	AN 174 C16A 932.19.60.800
-11	4	Washer	AN 960-416 938.77.11.115
-12	4	Nut	AN 365-428C 938.07.18.164
-13	1	Brake anti rotation Bracket	114.35.11.026
-14	1	Strut	114.35.11.013
-15	1	Axle	114.35.11.028
-16	1	Spacer bush	114.35.11.029
-17	1	Guide tube	114.35.11.023
-18	1	Stop washer	114.35.11.024
-19	1	Washer	114.35.11.022
-20	2	Special bush	114.35.11.020
-21	1	Bush	114.35.11.009
-22	1	Compression spring	114.35.11.027
-23	1	Undercarriage actuating rod	114.35.11.038
-24	1	Handle	114.35.11.031
-25	1	Handle grip 22mm dia black	Nr. 8111 944.30.14.041
-26	1	Spacer tube	114.35.11.051
-27	1	Rod end	114.35.11.042
-28	1	Hinge pin SPHERCO	TRE-4 944.61.12.102
-29	1	Guide flange	114.35.11.030
-30	1	Bolt	114.35.11.052
-31	1	Cotter 4 x 50	DIN 94 940.17.00.455
-32	1	Main spring	6504.0104.01
-33	2	Trunnion	114.35.11.005
-34	1	Main wheel 5" Nr. 13302	"TOST" 959.51.85.107
-35	1	Tyre 5.50"-5" Nr. 13651	"TOST" 959.61.85.108
-36	1	Innertube 5.50"-5" Nr. 13650	"TOST" 959.63.85.108
-37	2	Screw	AN 4-12A 932.19.21.131
-38	4	Screw	AN 175 C10A 932.19.60.466
-39	6	Screw	AN 3-5A 935.19.21.027
-40	1	Screw	AN 3-10A 932.19.21.030
-41	1	Screw	AN 4-11A 932.19.21.130
-42	2	Screw	AN 526-832-12 935.45.16.125
-43	1	Screw	AN 3-6A 932.19.21.028
-44	2	Screw	AN 3-7A 932.19.21.029
-45	10	Nut	AN 365-1032 938.07.18.143

(Continued on next page)

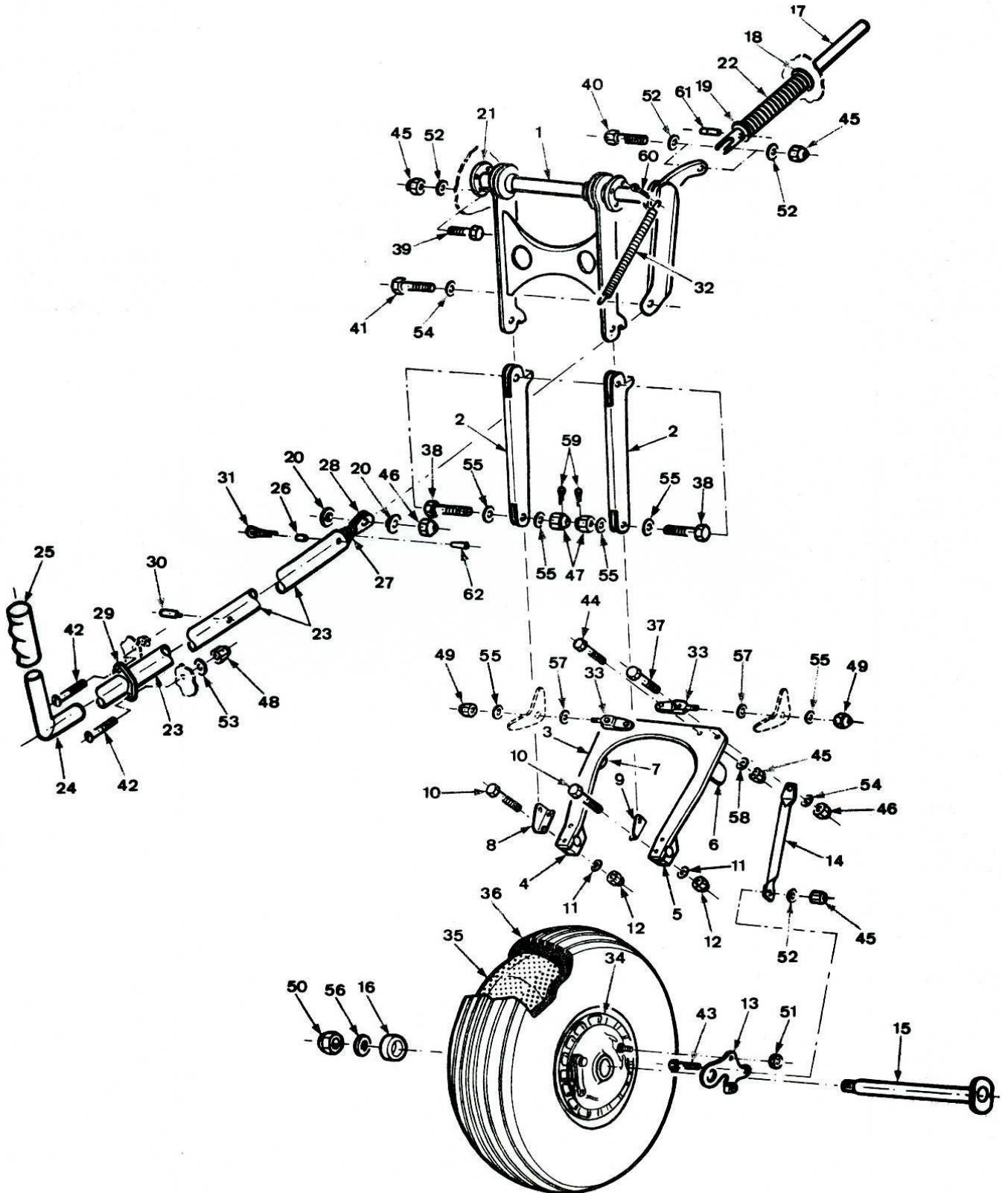
PILATUS B4-PC11

ALL METAL SAILPLANE

SPARE PARTS CATALOGUE

Figure 4/1/3

UNDERCARRAGE (RETRACABLE)



PILATUS B4-PC11

ALL METAL SAILPLANE

SPARE PARTS CATALOGUE

Figure & Pos No	No Off	Description	Part No.
4/1/3		Main landing gear (Retractable) (Continued)	
-46	3	Nut AN 365-1032	938.07.18.144
-47	4	Nut AN 310-5	938.08.21.103
-48	1	Nut AN 365-832	938.07.18.142
-49	2	Nut AN 364-524	938.07.18.125
-50	1	Nut AN 364-820	938.07.18.128
-51	1	Thin nut M8 DIN 9767	938.56.11.007
-52	9	Washer AN 960-10L	938.77.11.112
-53	1	Washer AN 960-8	938.77.11.111
-54	3	Washer AN 960-416	938.77.11.115
-55	10	Washer AN 960-516	938.77.11.117
-56	1	Washer AN 960-816	938.77.11.123
-57	2	Washer AN 960-716	938.77.11.121
-58	2	Washer AN 960-10	938.77.11.113
-59	4	Cotter 2 x 20 DIN 94	940.17.00.364
-60	1	Cotter 2.5 x 15 DIN 94	940.17.00.383
-61	1	Clamping sleeve 4 x 36 DIN 1481	940.17.55.108
-62	1	Grooved taper pin 2 x 20 DIN 1471 6S	940.18.01.019

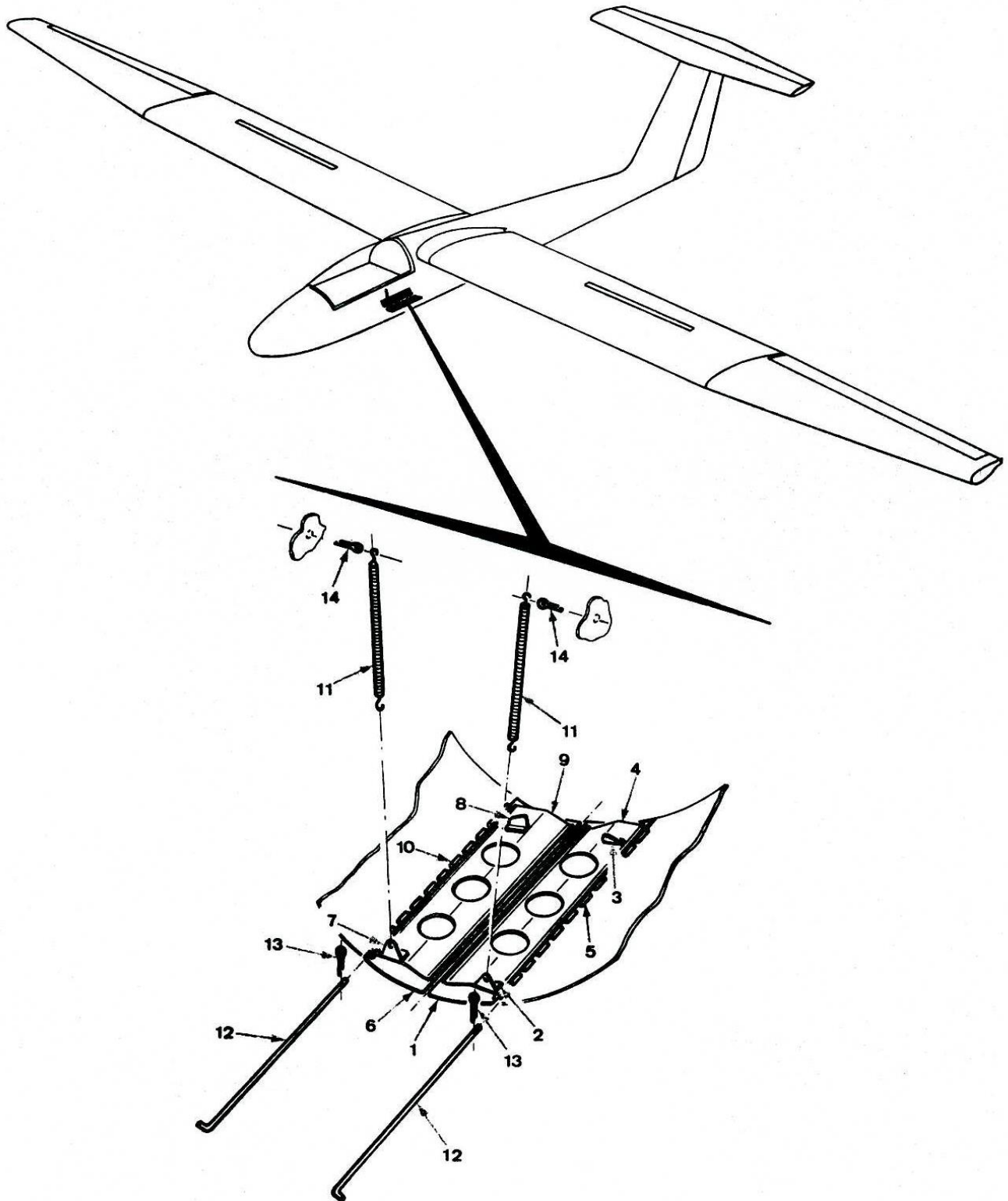
PILATUS B4-PC11

ALL METAL SAILPLANE

SPARE PARTS CATALOGUE

Figure 4/1/5

UNDERCARRAGE DOORS



PILATUS B4-PC11

ALL METAL SAILPLANE

SPARE PARTS CATALOGUE

Figure & Pos No	No Off	Description	Part No.
4/1/5		Undercarriage doors	110.65.11.012
-1		Left door assembly	110.65.11.007
-2		Support bracket	110.65.11.003
-3		Angle bracket	110.65.11.004
-4		Stiffening plate	110.65.11.005
-5		Hinge	112.35.11.151
-6		Right door assembly	110.65.11.006
-7		Support bracket	110.65.11.003
-8		Angle bracket	110.65.11.004
-9		Stiffening plate	110.65.11.005
-10		Hinge	112.35.11.151
-11		Spring	110.65.11.010
-12		Hinge pin	110.65.11.011
-13		Split pin 1 x 10	DIN 94 940.17.00.323
-14		Spilt pin 2.5 x 15	DIN 94 940.17.00.383

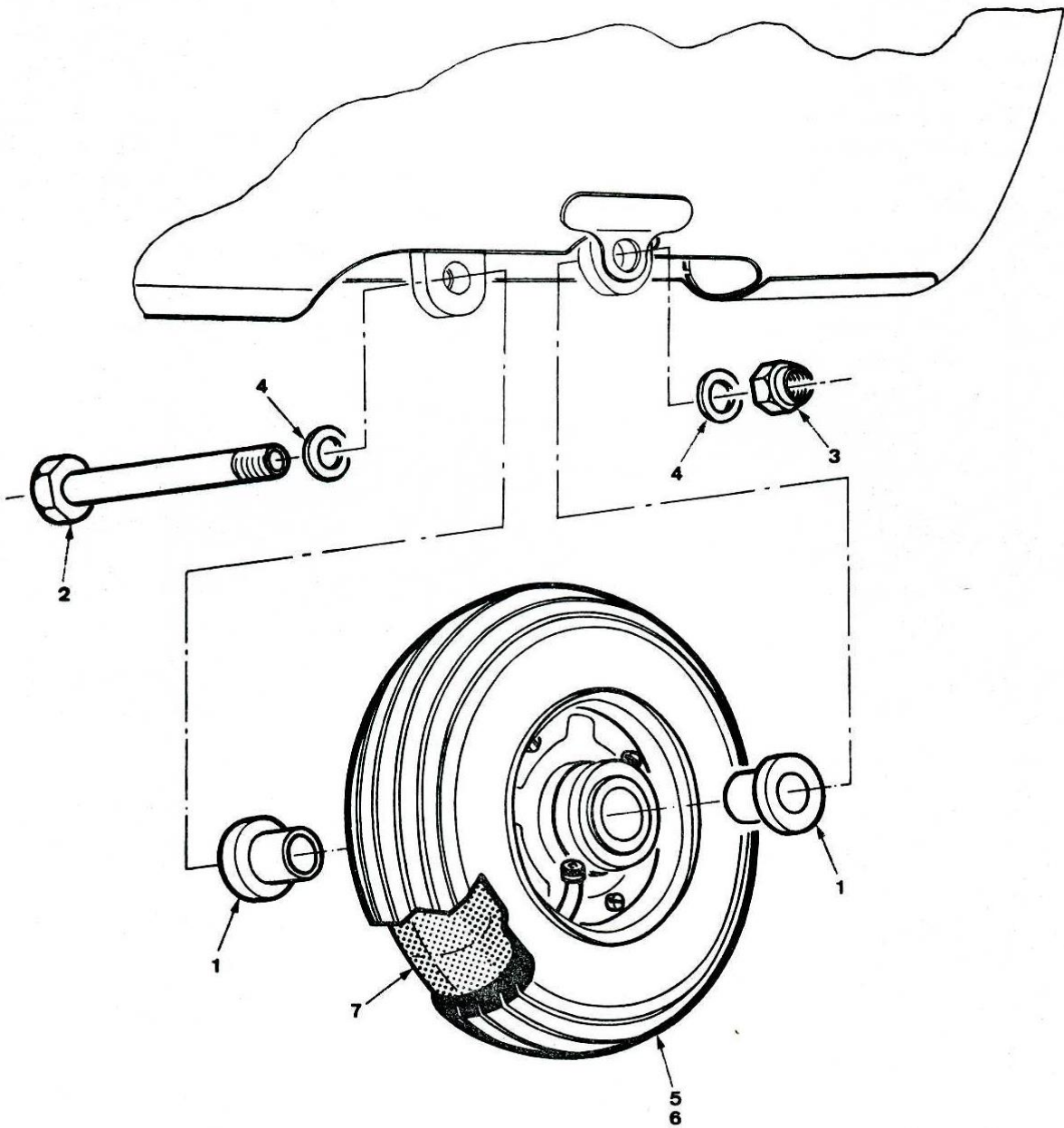
PILATUS B4-PC11

ALL METAL SAILPLANE

SPARE PARTS CATALOGUE

Figure 2/1/21

TAIL WHEEL



PILATUS B4-PC11

ALL METAL SAILPLANE

SPARE PARTS CATALOGUE

Figure & Pos No	No Off	Description	Part No.
4/2/1		Tail wheel	114.45.11.001
-1	2	Bush	114.45.11.002
-2	1	Screw	AN 6-33A 932.09.21.351
-3	1	Nylock nut	AN 365-624 938.07.18.146
-4	2	Washer	AN 960-616L 938.77.11.118
-5	1	Wheel 200 x 50 Pneumatic complete	959.56.43.103
-6	1	Innertube 200 x 50	"TOST" 959.63.85.103
-7	1	Tyre 200 x 50	"TOST" 959.61.85.103

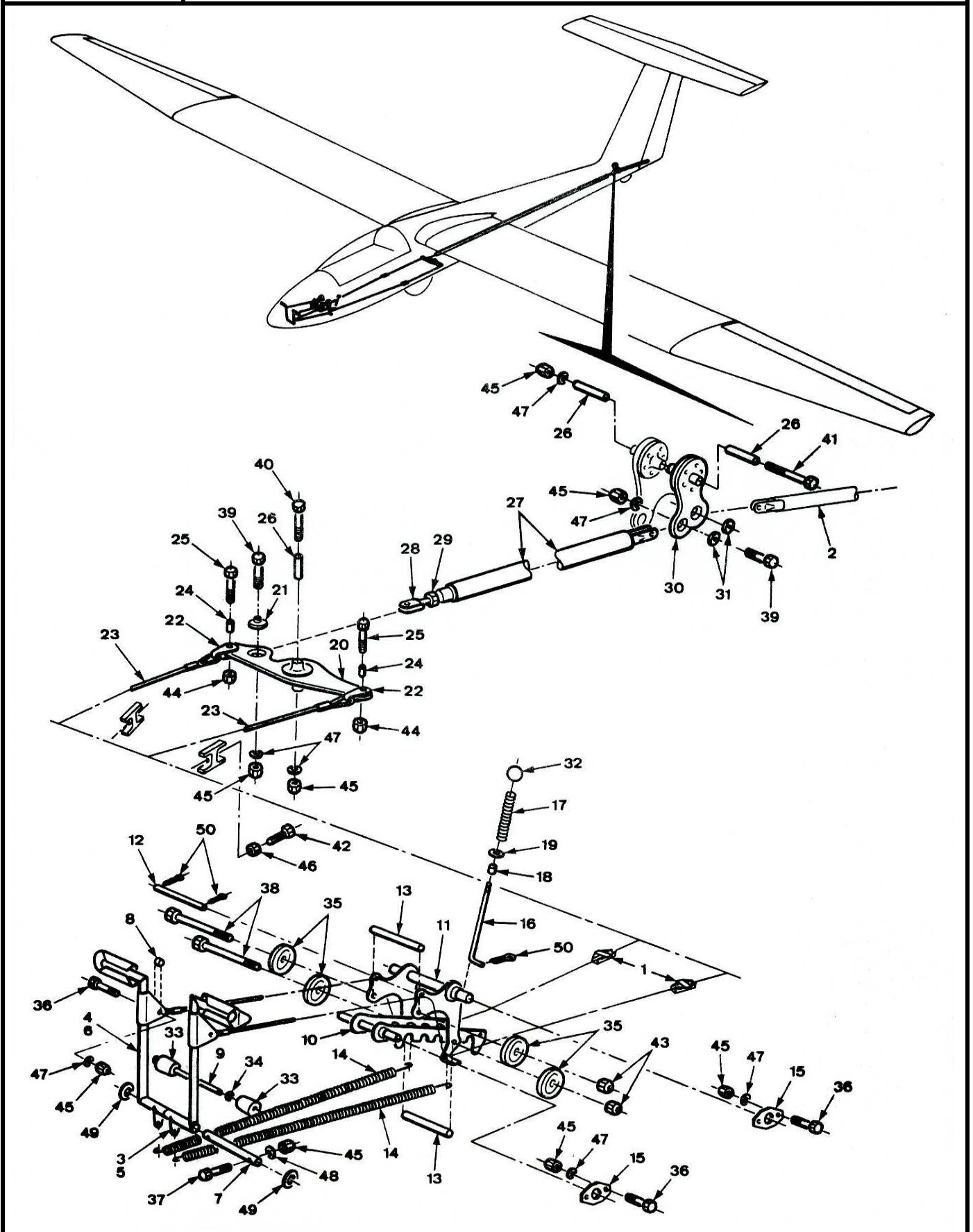
PILATUS B4-PC11

ALL METAL SAILPLANE

SPARE PARTS CATALOGUE

Figure 6/1/1

RUDDER CONTROLS



PILATUS B4-PC11

ALL METAL SAILPLANE

SPARE PARTS CATALOGUE

Figure & Pos No	No Off	Description	Part No.
6/1/1		Rudder controls	
-1	2	Wire guide (See Fig. 2/1/3)	
-2	1	Rear pushrod (See Fig. 3/1/3)	
-3	1	Pedal assembly left (Applies to non-aerobatic)	116.35.11.067
-4	1	Pedal assembly right (Applies to non-aerobatic)	116.35.11.068
-5	1	Pedal assembly left (Applies to aerobatic)	116.35.11.127
-6	1	Pedal assembly right (Applies to aerobatic)	116.35.11.128
-7	1	Pivot pin	116.35.11.058
-8	2	Spacer tube	116.35.11.107
-9	1	Shaft	116.35.11.121
-10	1	Detent assembly	116.35.11.047
-11	1	Lever assembly	116.35.11.055
-12	1	Locking pin	116.35.11.052
-13	2	Spacer tube	116.35.11.111
-14	2	Spring	116.35.11.087
-15	4	Flange	116.35.11.043
-16	1	Operating rod	116.35.11.044
-17	1	Spring	116.35.11.105
-18	1	Spacer tube	116.35.11.103
-19	1	Washer	116.35.11.115
-20	1	Lever assembly	116.35.11.023
-21	1	Self-aligning bearing AN 200 KS 3	940.83.28.607
-22	2	Cable connector	116.35.11.100
-23	2	Rudder cable	116.35.11.106
-24	2	Spacer tube	116.35.11.130
-25	2	Special screw	116.35.11.102
-26	3	Spacer tube	116.35.11.004
-27	1	Pushrod	116.35.11.025
-28	1	Fork	116.35.11.016
-29	1	Nut AN 316-4R	938.02.27.102
-30	1	Lever assembly	116.35.11.074
-31	2	Self-aligning bearing AN 200 KS 3	940.83.28.607
-32	1	Ball handle (black) 14mm Dia. M4	944.31.10.111
-33	2	Travel stop 29mm Dia. X 33 Nr. 4152	944.87.70.202
-34	2	Locking ring 6mm Dia. SP 220	940.61.04.113
-35	4	Pulley MS 20221-1	945.31.07.301
-36	10	Screw AN 3-6A	932.19.21.028
-37	2	Screw AN 3-10A	932.19.21.030
-38	2	Screw AN 5-43	932.19.21.221
-39	2	Screw AN 173C-7A	932.19.60.422
-40	1	Screw AN 173-17A	932.19.24.075
-41	1	Screw AN 173-33	932.19.24.025
-42	2	Adjusting bolt NAS 428-3-12	932.09.27.007
-43	2	Nut AN 364-524	938.07.18.125
-44	2	Nut AN 364-1032	938.07.18.123
-45	16	Nut AN 365-1032	938.07.18.143
-46	2	Nut AN 315-3R	938.03.27.104
-47	14	Washer AN 960-10L	938.77.11.112
-48	2	Washer AN 960-10	938.77.11.112
-49	2	Washer AN 960-913	938.77.11.125
-50	3	Split pin 1.5 x 10 DIN 94	940.17.00.341

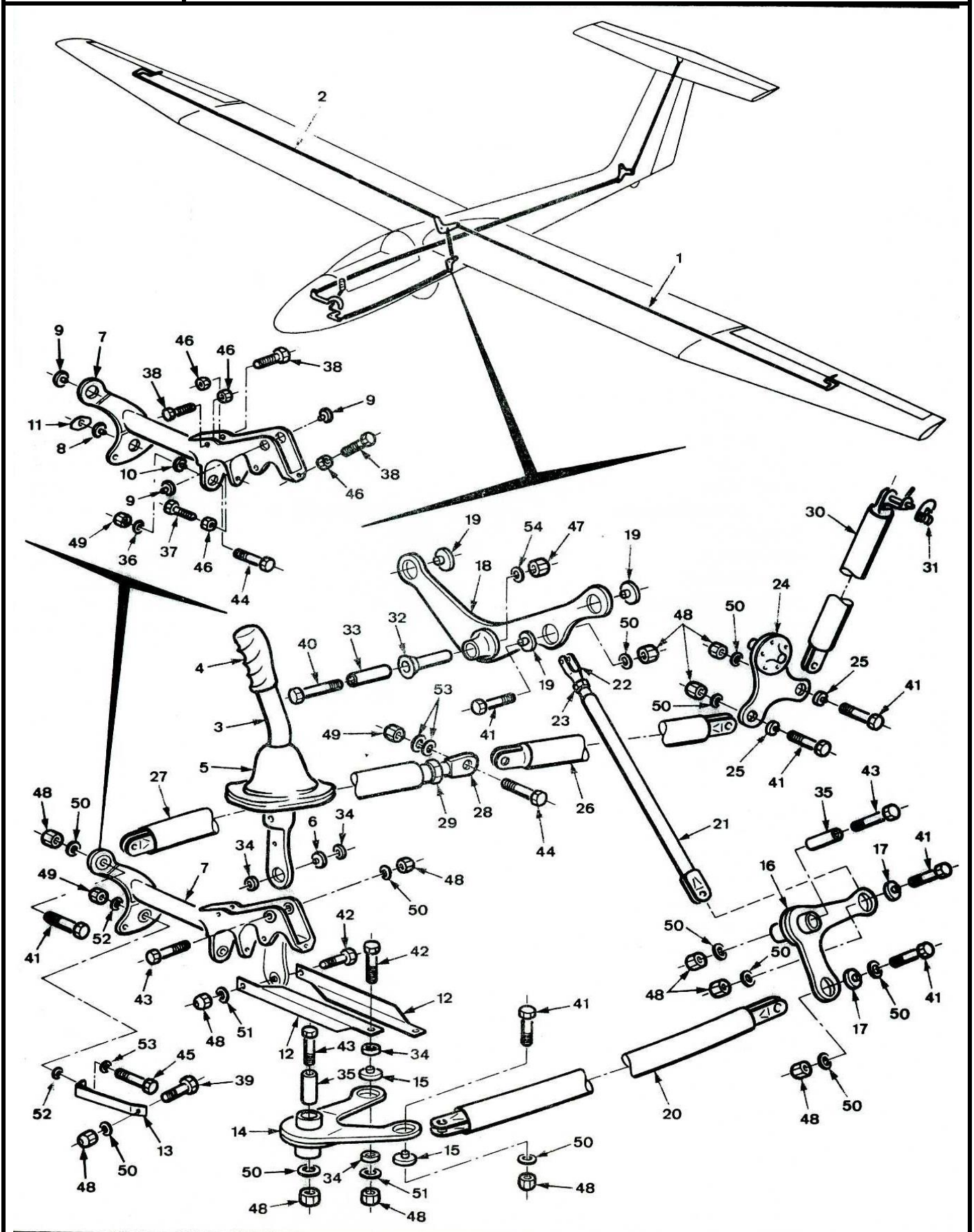
PILATUS B4-PC11

ALL METAL SAILPLANE

SPARE PARTS CATALOGUE

Figure 6/1/3

AILERON & ELEVATOR CONTROLS



PILATUS B4-PC11

ALL METAL SAILPLANE

SPARE PARTS CATALOGUE

Figure & Pos No	No Off	Description	Part No.
6/1/3		Aileron & Elevator controls	
-1	1	Aileron pushrod in wing left (See Fig. 1/1/1)	
-2	1	Aileron pushrod in wing right (See Fig. 1/1/10)	
-3	1	Stick assembly	116.35.11.077
-4	1	Grip Ø 21 - 22 (black) Nr. 8111-70°	944.30.14.041
-5	1	Rubber boot VW 411 Nr. 711115	944.83.11.103
-6	1	Self-aligning bearing AN 200 KS 3	940.83.28.607
-7	1	Stick mounting assembly	116.35.11.081
-8	1	Recessed bearing MS 20200 KP	940.83.08.503
-9	3	Self-aligning bearing AN 200 KS3	940.83.28.607
-10	1	Self-aligning bearing AN 200 KS4	940.83.28.608
-11	1	Retaining plate	116.35.11.082
-12	2	Push rod	116.35.11.076
-13	1	Brace	116.35.11.104
-14	1	Lever	116.35.11.066
-15	2	Self-aligning bearing AN 200 KS3	940.83.28.607
-16	1	Lever	116.35.11.037
-17	2	Self-aligning bearing AN 200 KS3	940.83.28.607
-18	1	Lever	116.35.11.034
-19	3	Self-aligning bearing AN 200 KS3	940.83.28.607
-20	1	Push rod	116.35.11.097
-21	1	Push rod	116.35.11.019
-22	1	Fork piece	116.35.11.016
-23	1	Nut AN 316-4R	938.02.27.102
-24	1	Lever	116.35.11.073
-25	2	Self-Aligning Bearing AN 200 KS3	940.83.28.607
-26	1	Push rod	116.35.11.086
-27	1	Push rod	116.35.11.098
-28	1	Fork piece	944.61.12.102
-29	1	Nut AN 316-4R	938.02.27.102
-30	1	Push rod	116.35.11.085
-31	1	Spring pin	116.35.11.124
-32	1	Bush	116.35.11.029
-33	1	Spacer tube	116.35.11.130
-34	4	Spacer tube	116.35.11.108
-35	2	Spacer tube	116.35.11.004
-36	1	Washer	116.35.11.109
-37	1	Adjusting stop	116.35.11.125
-38	3	Adjusting stop NAS 428-3-7	932.09.27.004
-39	1	Screw AN 3-4A	932.19.21.026
-40	1	Screw AN 5-44A	932.19.21.257
-41	7	Screw AN 173C-7A	932.19.60.422
-42	2	Screw AN 173C-11A	932.19.60.424
-43	3	Screw AN 173-17A	932.19.24.075
-44	2	Screw AN 174C 11	932.19.60.430
-45	1	Screw AN 174CH12A	932.19.60.449
-46	4	Nut AN 315-3R	938.03.27.104
-47	1	Nut AN 364-524	938.07.18.125
-48	13	Nut AN 365-1032	938.07.18.143
-49	3	Nut AN 365-428	938.07.18.144
-50	12	Washer AN 960 10L	938.77.11.112
-51	2	Washer AN 960-10	938.77.11.113
-52	2	Washer AN 960-416L	938.77.11.114
-53	3	Washer AN 960-416	938.77.11.115
-54	1	Washer AN 960C516L	938.77.61.016
-			

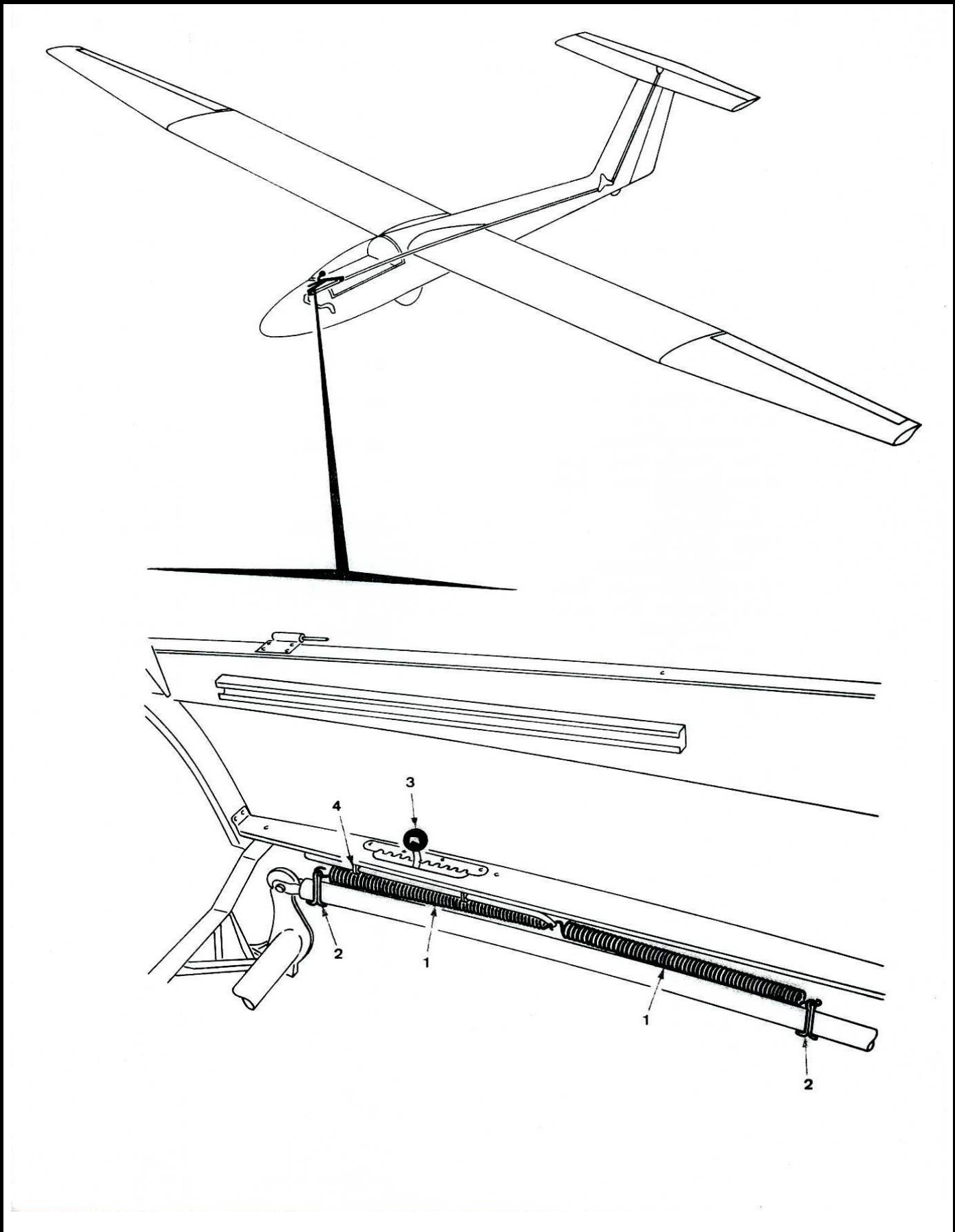
PILATUS B4-PC11

ALL METAL SAILPLANE

SPARE PARTS CATALOGUE

Figure 6/2/1

ELEVATOR TRIM CONTROL



PILATUS B4-PC11

ALL METAL SAILPLANE

SPARE PARTS CATALOGUE

Figure & Pos No	No Off	Description	Part No.
6/2/1		Elevator trim control	116.40.11.01
-1	2	Spring	116.40.11.07
-2	2	Split pin 3 x 30	940.17.00.419
-3	1	Knob Green	914.31.10.418
-4	1	Trim control rod	See fig 2/1/3

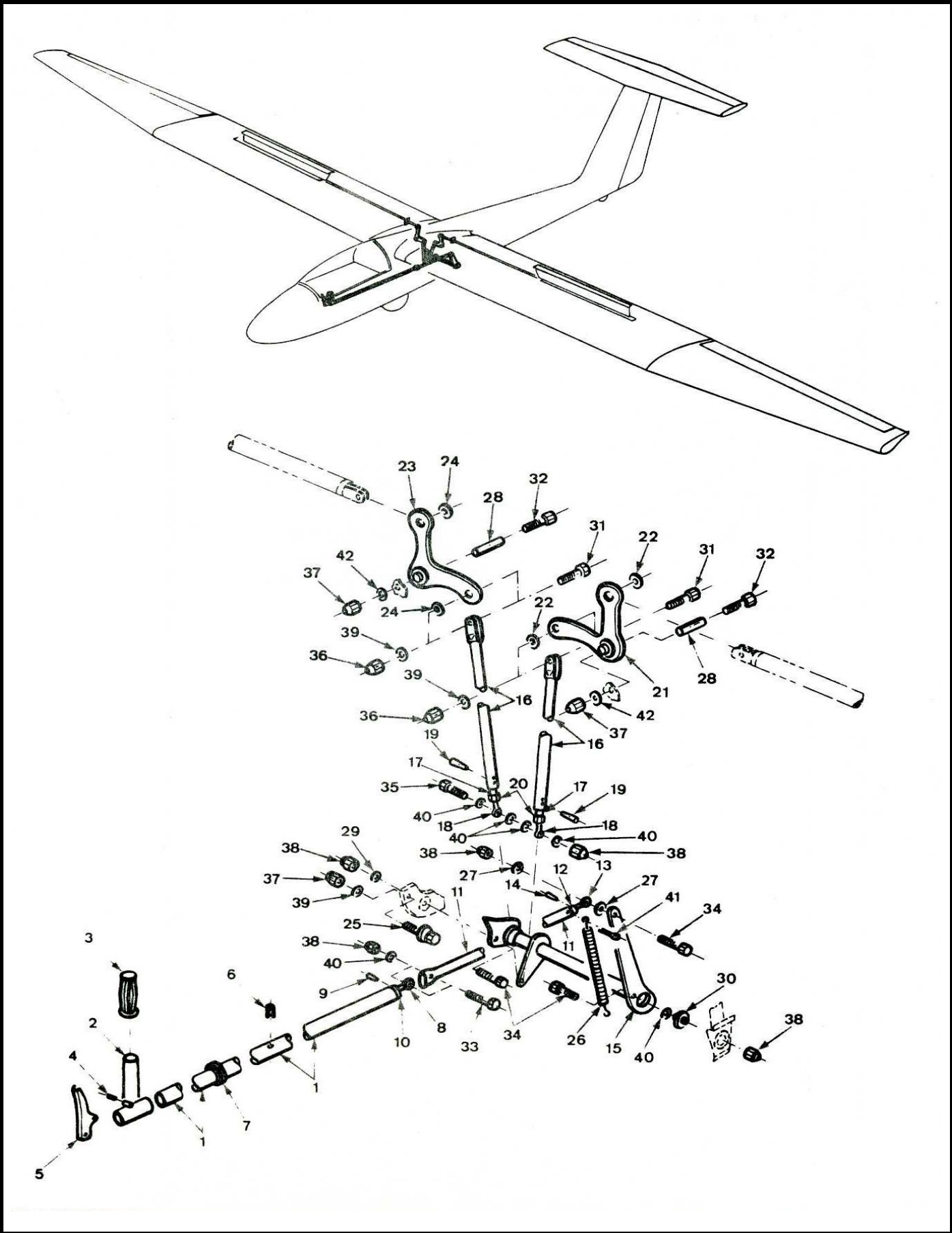
PILATUS B4-PC11

ALL METAL SAILPLANE

SPARE PARTS CATALOGUE

Figure 6/3/1

AIRBRAKE CONTROLS



PILATUS B4-PC11

ALL METAL SAILPLANE

SPARE PARTS CATALOGUE

Figure & Pos No	No Off	Description	Part No.
6.3.1		Airbrake controls.	116.42.11.023
-1		Pushrod	116.42.11.035
-2		Handle	116.42.11.007
-3		Handle grip blue	944.30.14.015
-4		Bush	116.42.11.005
-5		Brake lever	116.42.11.006
-6		Clamping sleeve 5 X 36	DIN 1481 940.17.55.748
-7		Bush	116.42.11.030
-8		Pivot pin SPHERCO	TRE-4 944.61.12.102
-9		Grooved pin 2 X 20	940.18.01.019
-10		Rod head	116.42.11.011
-11		Pushrod	TRE-4 116.42.11.020
-12		Rod head	116.42.11.009
-13		Pivot pin SPHERCO	944.61.12.102
-14		Grooved pin 2 X 20	940.18.01.019
-15		Actuation shaft	116.42.11.011
-16		Pushrod	116.42.11.020
-17		Rod head	116.42.11.009
-18		Pivot pin SPHERCO	TRE-4 944.61.12.102
-19		Securing pin	SNV-L 26308 940.29.09.349
-20		Nut	AN 316-4R 938.02.27.102
-21		Lever left hand	116.42.11.003
-22		Self-aligning bearing	AN 200 KS3 940.83.28.607
-23		Lever right hand	116.42.11.004
-24		Self-aligning bearing	AN 200 KS3 940.83.28.607
-25		Cam assembly	116.42.11.022
-26		Tension spring	6504.0104.01
-27		Special bush	114.35.11.020
-28		Bush	116.35.11.004
-29		Washer	116.35.11.109
-30		Self-aligning bearing	AN 200 KS4 940.83.28.608
-31		Screw	AN 173 C7A 116.42.11.051
-32		Screw	AN 173-17A 932.19.24.075
-33		Screw	AN 174 C10 932.19.60.429
-34		Screw	AN 174 C11 932.19.60.430
-35		Screw	AN 4-15A 932.19.21.134
-36		Nut	AN 364-1032 938.07.18.123
-37		Nut	AN 365-1032 938.07.18.143
-38		Nut	AN 365-428 938.07.18.144
-39		Washer	AN 960-10L 938.77.11.112
-40		Washer	AN 960-416 938.77.11.115
-41		Split pin	DIN 94 940.17.00.389
-42		Washer	AN 960-10 938.77.11.113

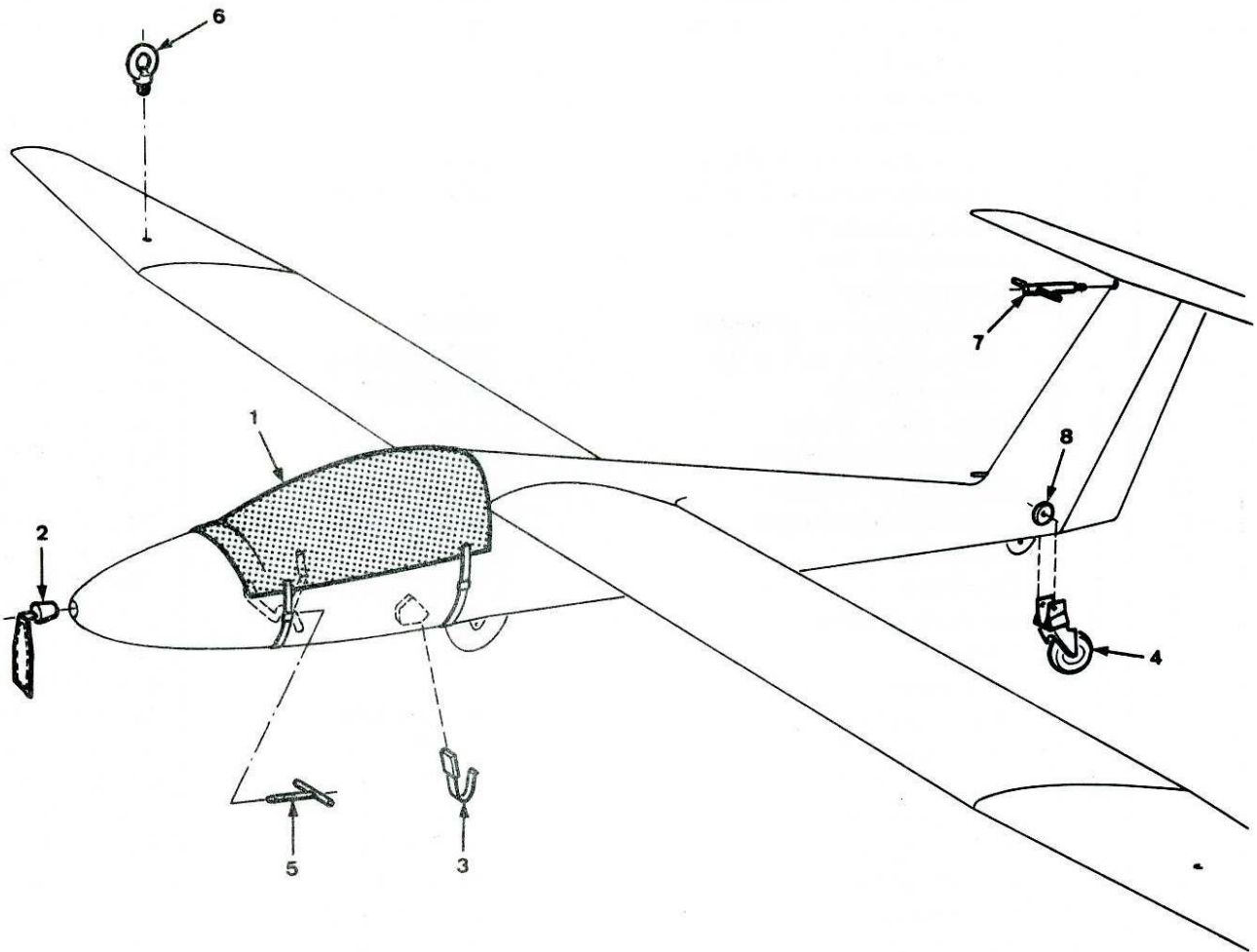
PILATUS B4-PC11

ALL METAL SAILPLANE

SPARE PARTS CATALOGUE

Figure 9/0/1

GROUND HANDLING



PILATUS B4-PC11

ALL METAL SAILPLANE

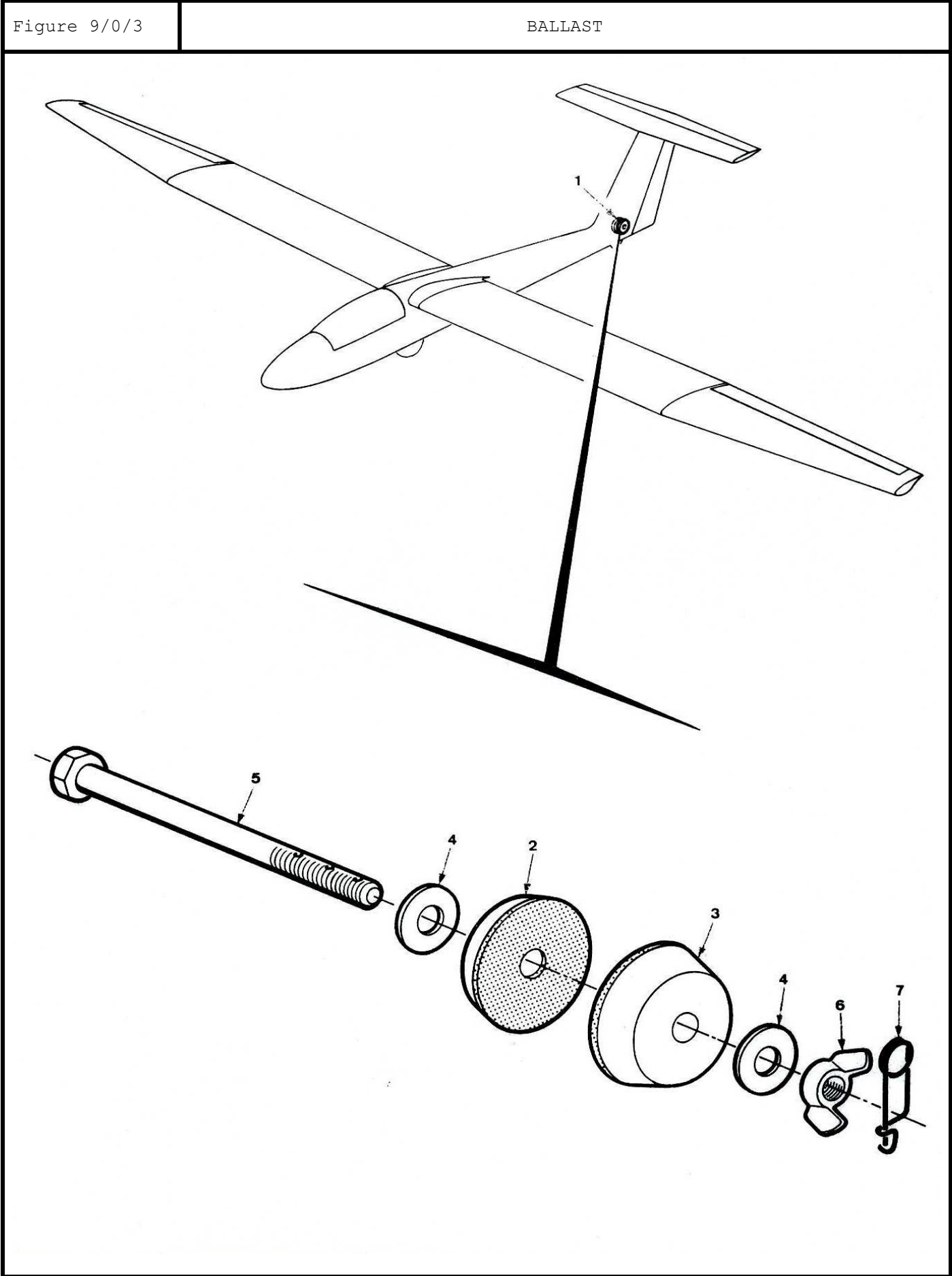
SPARE PARTS CATALOGUE

Figure & Pos No	No Off	Description	Part No.
9/0/1		Ground handling	119.99.11.056
-1	1	Canopy cover	By request 119.99.11.054
-2	1	Pitot bung	By request 119.99.11.055
-3	1	Tow release lock	By request 119.99.11.074
-4	1	Transport Tail Wheel	By request 119.99.11.057
-5	1	Joystick locking pin	110.85.11.004
-6	4	Eye bolt M8	DIN 580 936.31.11.101
-7	1	Tailplane pin removal tool	See fig 3/0/3
-8	1	Lead ballast	See fig 9/0/3

PILATUS B4-PC11

ALL METAL SAILPLANE

SPARE PARTS CATALOGUE



PILATUS B4-PC11

ALL METAL SAILPLANE

SPARE PARTS CATALOGUE

Figure & Pos No	No Off	Description	Part No.
9/0/3		Ballast	
-1	1	Lead ballast complete	By request 119.99.11.058
-2	1	Ballast disc 2.2kg	119.99.11.059
-3	1	Ballast disc 4.5kg	119.99.11.060
-4	2	Washer	119.99.11.061
-5	1	Bolt	119.99.11.062
-6	1	Wingnut	MS 35426-8 938.22.25.114
-7	1	Safety pin	NB 1110 940.17.29.202

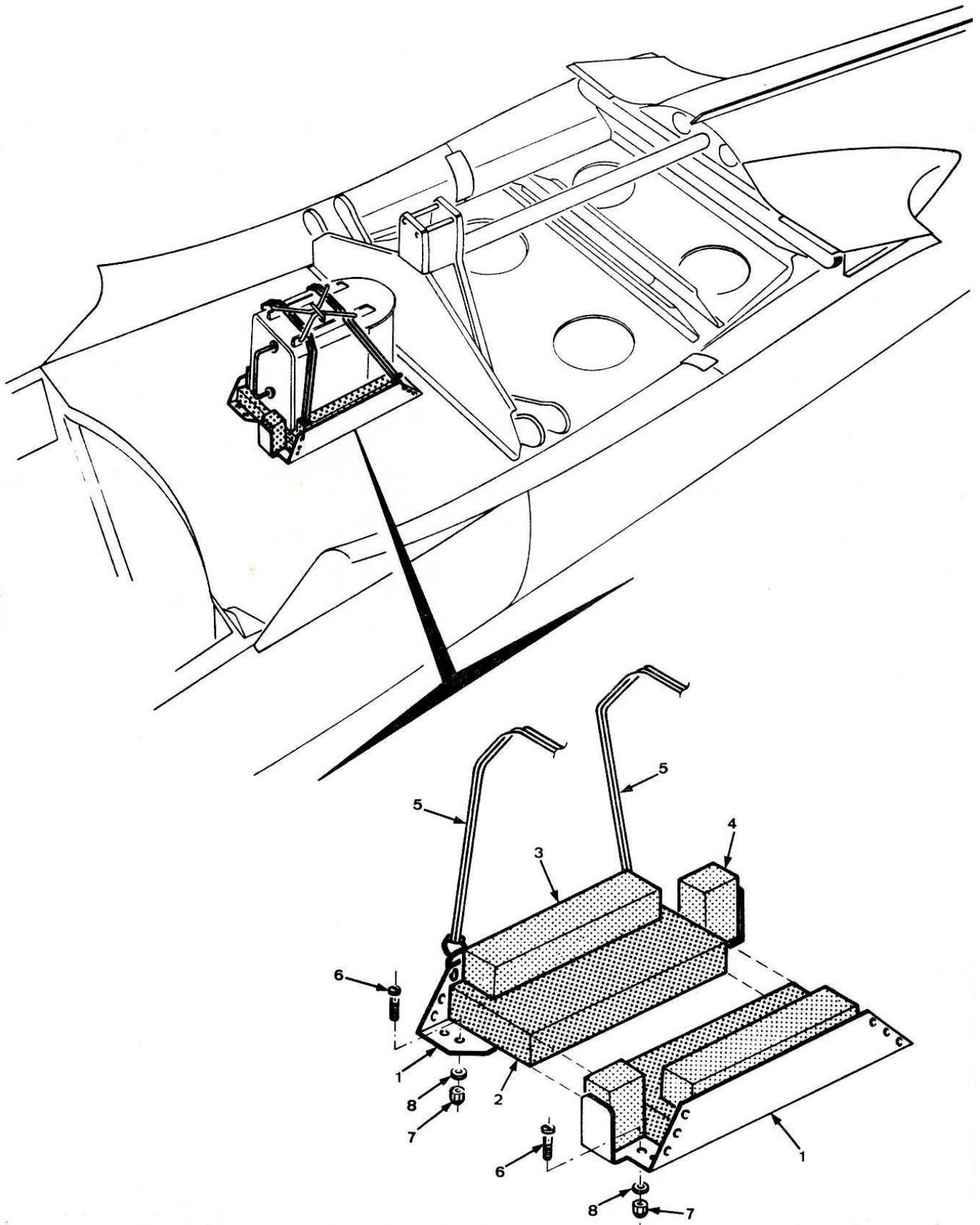
PILATUS B4-PC11

ALL METAL SAILPLANE

SPARE PARTS CATALOGUE

Figure 9/0/5

WINTER BAROGRAPH MOUNTING



PILATUS B4-PC11

ALL METAL SAILPLANE

SPARE PARTS CATALOGUE

Figure & Pos No	No Off	Description	Part No.
9/0/5		Winter barograph mounting	119.99.11.039
-1	2	Mounting bracket	119.99.11.043
-2	1	polyether foam sheet	119.99.11.044
-3	1	polyether foam sheet	119.99.11.045
-4	1	polyether foam sheet	119.99.11.046
-5	2	Elastic	119.99.11.041
-6	4	Screw	AN 526-632-6 935.45.16.102
-7	4	Nut	AN 365-632C 938.07.18.161
-8	4	Washer	NB 1152 938.78.13.104

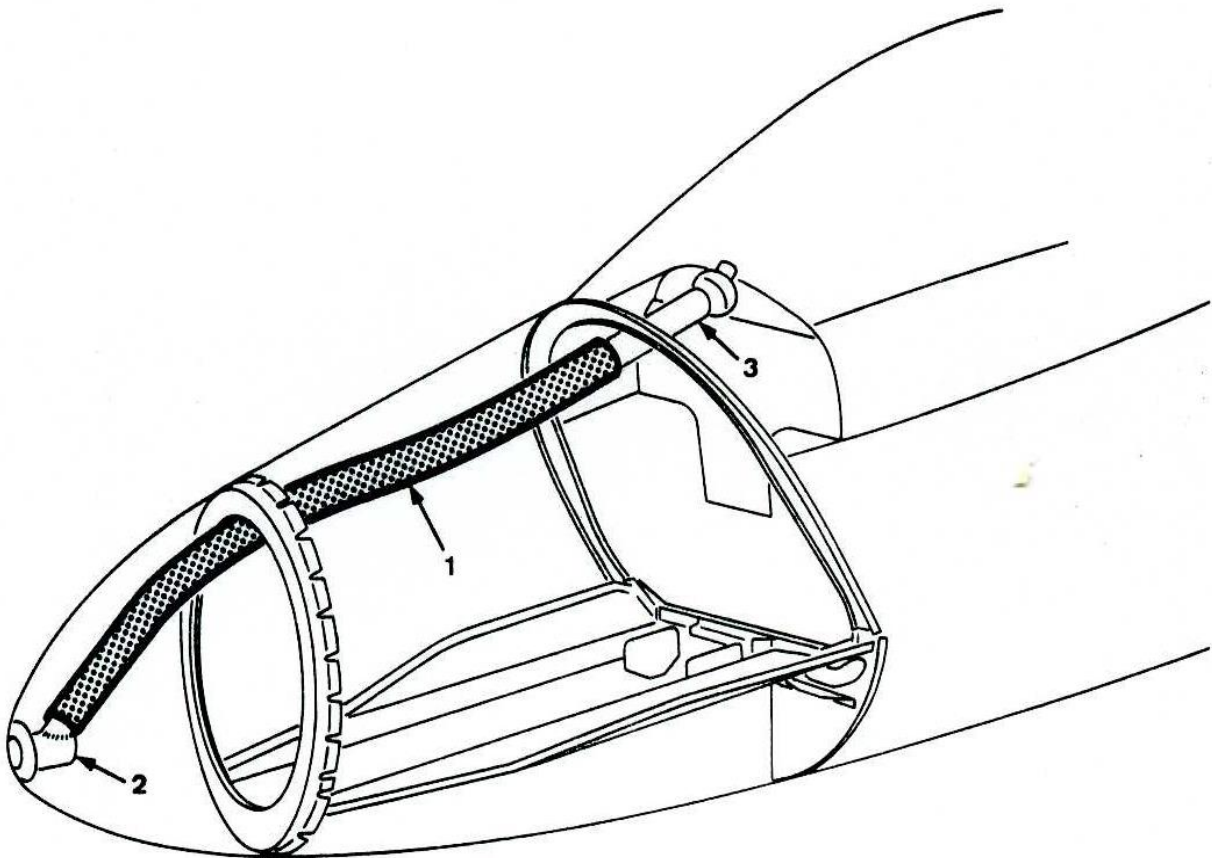
PILATUS B4-PC11

ALL METAL SAILPLANE

SPARE PARTS CATALOGUE

Figure 9/0/7

VENTILATION



PILATUS B4-PC11

ALL METAL SAILPLANE

SPARE PARTS CATALOGUE

Figure & Pos No	No Off	Description	Part No.
9/0/7		Ventilation Overview	119.99.11.050
-1		Tube	119.99.11.030
-2		Ventilation socket	see fig 2/1/1
-3		Ventilation pipe	see fig 9/1/1

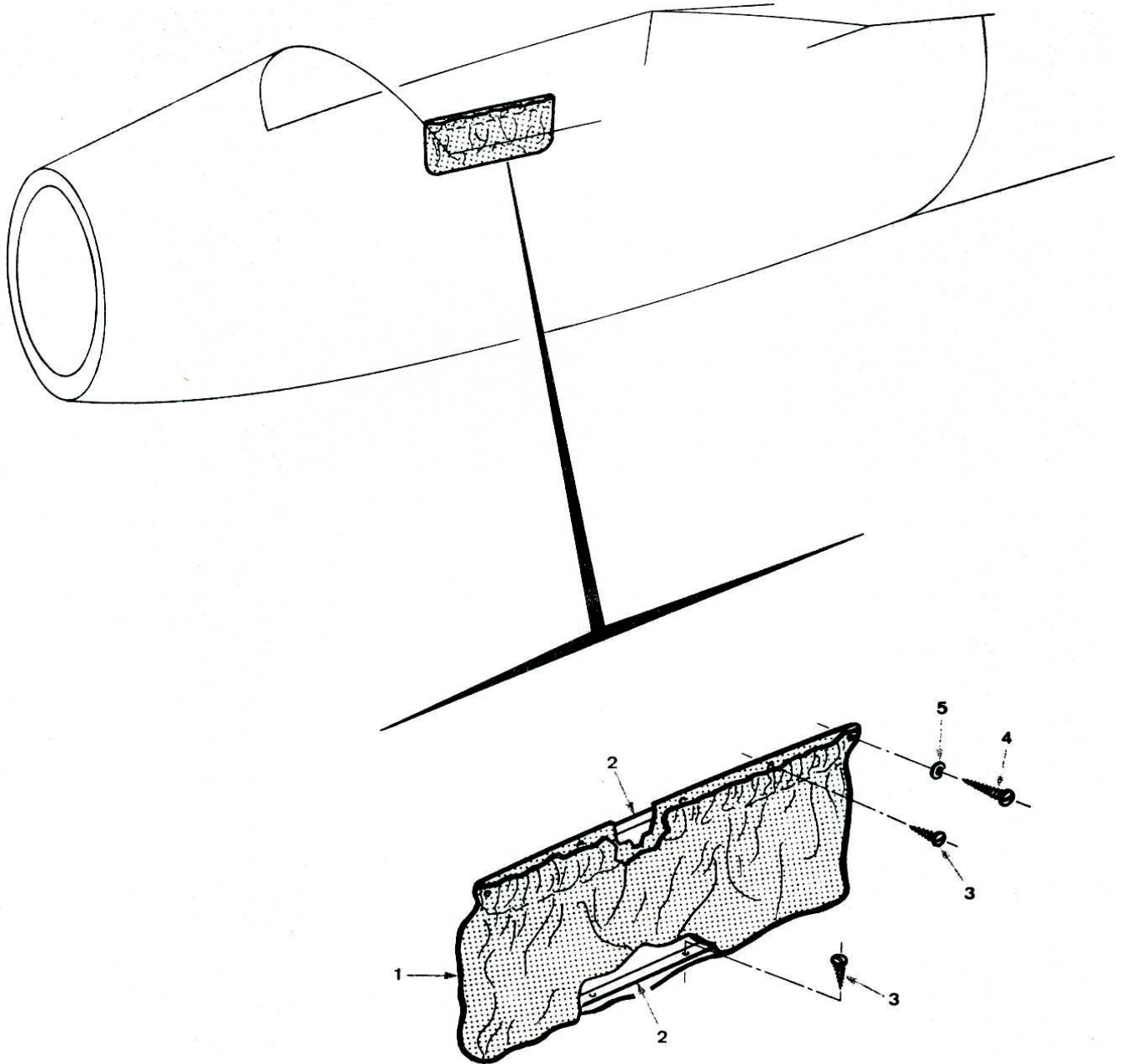
PILATUS B4-PC11

ALL METAL SAILPLANE

SPARE PARTS CATALOGUE

Figure 9/0/9

STORAGE



PILATUS B4-PC11

ALL METAL SAILPLANE

SPARE PARTS CATALOGUE

Figure & Pos No	No Off	Description	Part No.
9/0/9		Map pocket arrangement	119.99.11.033
-1	1	Map pocket	119.99.11.031
-2	2	Bottom support	119.99.11.032
-3	8	Screw No. 4 x 3/8"	935.83.01.002
-4	2	Screw No. 6 x 1/2"	943.83.01.019
-5	2	Washer 11 x 5	938.79.61.002

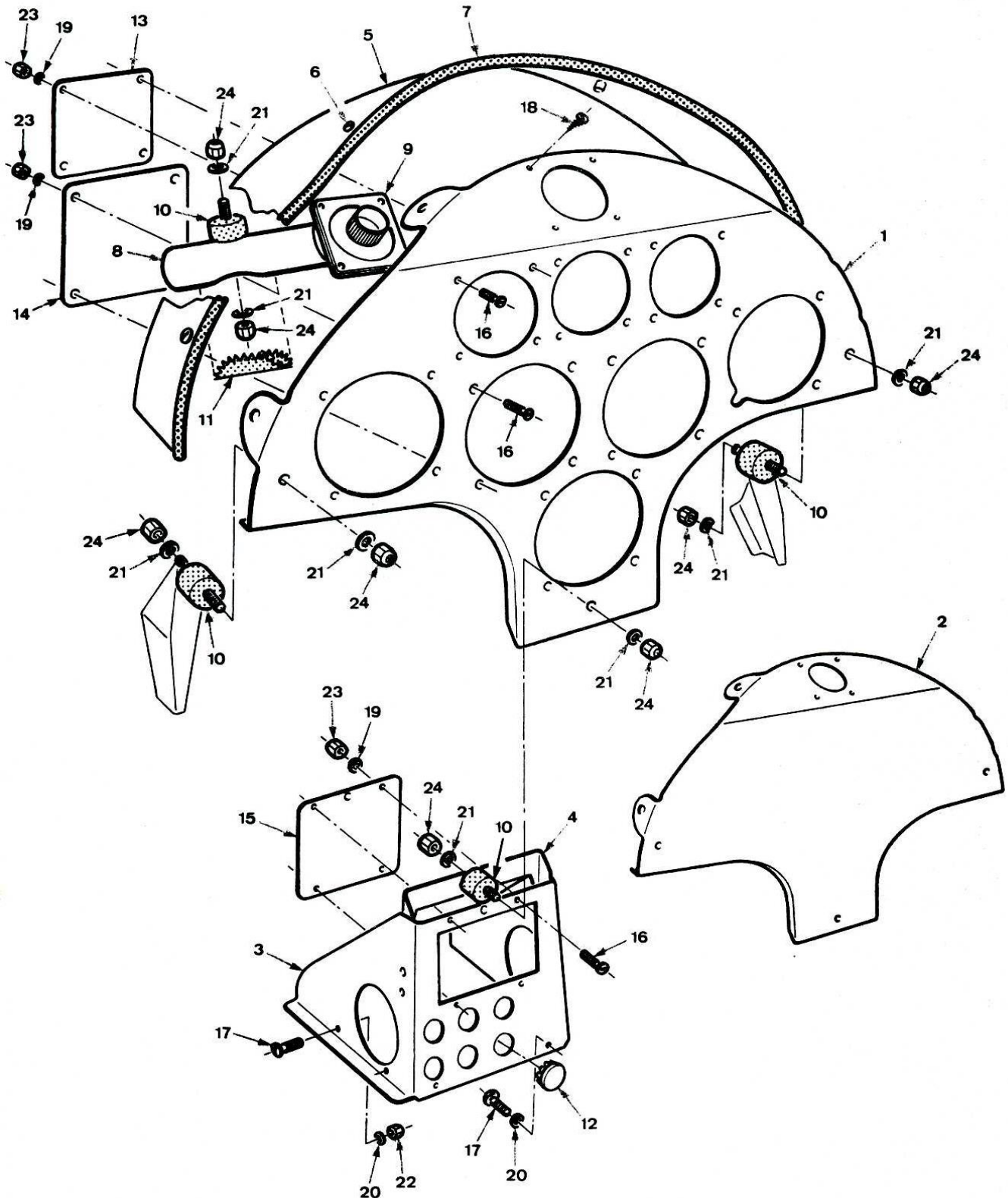
PILATUS B4-PC11

ALL METAL SAILPLANE

SPARE PARTS CATALOGUE

Figure 9/1/1

INSTRUMENT PANEL



PILATUS B4-PC11

ALL METAL SAILPLANE

SPARE PARTS CATALOGUE

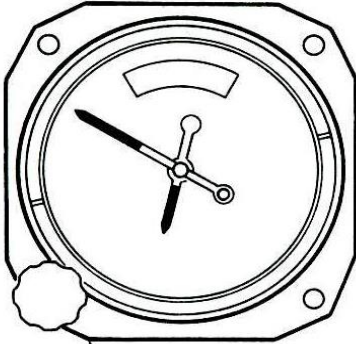
Figure & Pos No	No Off	Description	Part No.
9/1/1		Instrument panel arrangement	
-1	1	Instrument panel matt black	119.32.11.045
-2	1	Instrument panel matt black	119.32.11.046
-3	1	Instrument panel lower part	119.32.11.010
-4	1	Support	119.32.11.012
-5	1	Cover	119.32.11.047
-6	4	Quick release screw VIBREX	2005 M 944.48.75.025
-7	1	Edge protection profile	119.32.11.051
-8	1	Ventilation pipe	119.99.11.051
-9	1	Air nozzle WEMAC	2215 959.91.22.103
-10	4	Rubber mounting 1/4"-20	J-4624-193 944.81.28.112
-11	1	Cover	918.71.62.096
-12	div	Bung 1/2"	51118 949.88.11.103
-13	div	Cover plate	119.32.06.001
-14	div	Cover plate	6227.0019.01
-15	1	Cover plate	119.32.11.028
-16	div	Screw	AN 526C 632-12 935.45.16.308
-17	6	Screw	AN 526-832-6 935.45.16.120
-18	4	Screw No. 6 x 3/8"	935.83.01.018
-19	div	Screw rustproof	AN 960-C6L 938.77.61.008
-20	6	Screw	AN 960-8 938.77.11.111
-21	8	Screw	AN 960-416 938.77.11.115
-22	4	Nut	AN 364-832 938.07.18.122
-23	div	Nut	MS 20365D 632 938.07.18.172
-24	8	Nut	UNC 20 1/4" 938.03.22.101

PILATUS B4-PC11

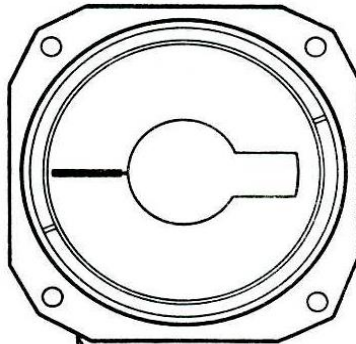
ALL METAL SAILPLANE SPARE PARTS CATALOGUE

Figure 9/1/3

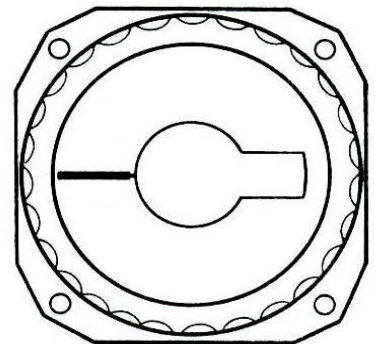
INSTRUMENTS



1, 2, 23, 26



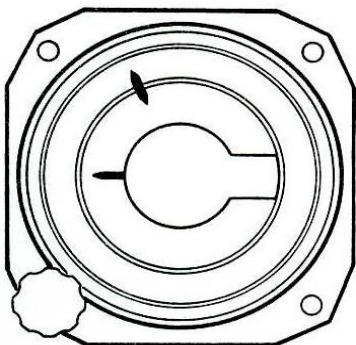
3, 4, 5, 6, 7, 8, 9, 23, 26



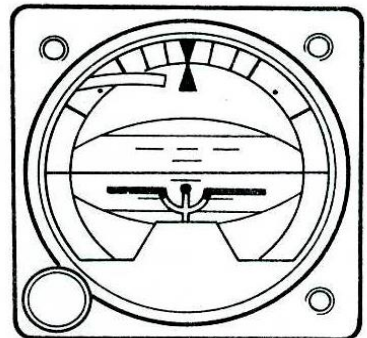
10, 11, 23, 26



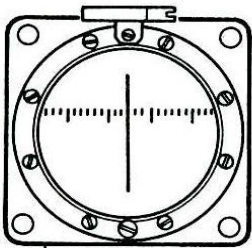
12, 13, 14, 15, 23, 26



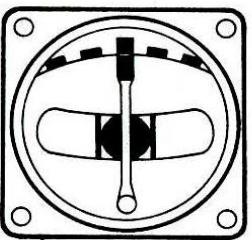
16, 23, 26



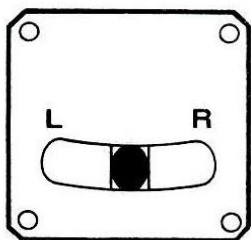
17, 23



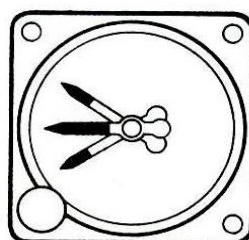
18, 23, 25



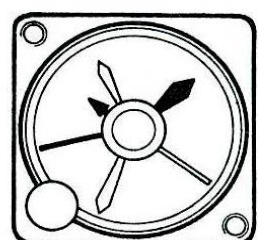
19, 23, 27



20, 23, 25



21, 23, 25



22, 24

PILATUS B4-PC11

ALL METAL SAILPLANE

SPARE PARTS CATALOGUE

Figure & Pos No	No Off	Description	Part No.
9/1/3		Panel Instruments	
-1	1	Altimeter 0-1000-10000 m WINTER 4 PGH 10	965.23.13.101
-2	1	Altimeter 0-3000-30000 feet WINTER 4 PGH 10	965.23.23.103
-3	1	Variometer Fine ± 1.5 m/sec. WINTER ST V 1	965.16.16.103
-4	1	Variometer Fine ± 300 feet/min. WINTER ST V 1	965.16.16.113
-5	1	Variometer Fine ± 4 knots/h WINTER ST V 1	965.16.16.123
-6	1	Variometer Rough ± 10 m/sec. WINTER ST V 5	965.16.16.106
-7	1	Variometer Rough ± 15 m/sec. WINTER ST V 5	965.16.16.109
-8	1	Variometer Rough ± 1000 feet/min. WINTER ST V 5	965.16.16.114
-9	1	Variometer Rough ± 10 m/sec. WINTER ST V 5	
		with logarithmic scale	965.16.16.107
-10	1	Variometer Rough ± 5 m/sec. WINTER ST V 5	
		with Mc-Cready-Ring (km/h)	965.16.16.104
-11	1	Variometer Rough ± 10 knots/h WINTER ST V 5	
		with Mc-Cready-Ring (knots)	965.16.16.124
-12	1	Air speed ind. 30-250 km/h WINTER 6 FMS 3	119.32.11.030
-13	1	Air speed ind. 0 -250 km/h WINTER 6 FMS 4	119.32.11.068
-14	1	Air speed ind. 20-160 MPH WINTER 6 FMS 3	119.32.11.031
-15	1	Air speed ind. 20-140 KTS WINTER 6 FMS 3	119.32.11.032
-16	1	Speed to fly indicator WINTER 7 SFG	965.12.18.113
-17	1	Artificial horizon (with PSU) ARC G-113A	975.96.11.103
-18	1	Compass LUDOLF FK 16	999.98.80.703
-19	1	Turn and slip (with PSU) GAUTING WZ-402/31	975.98.17.103
-20	1	Slip indicator GR.I WINTER QM I	965.27.14.101
-21	1	Accelerometer +10G/-5G MS 28025	119.32.11.056
-22	1	Clock THOMMEN B 4	999.61.11.101
-23	div	Screw stainless AN 526C632-12	935.45.16.308
-24	2	Screw A 32-B 24	935.07.16.134
-25	div	Instrument mounting nut NAS 487-13	938.56.31.101
-26	div	Instrument mounting nut NAS 487-17	938.56.31.105
-27	div	Instrument mounting nut NAS 487-20	938.56.31.107

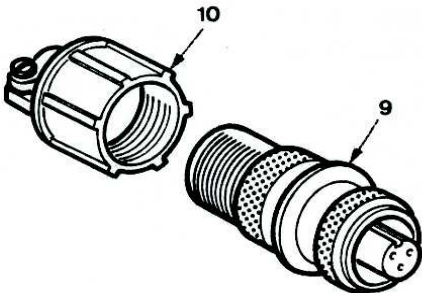
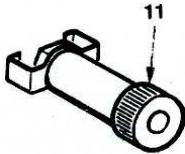
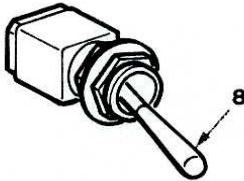
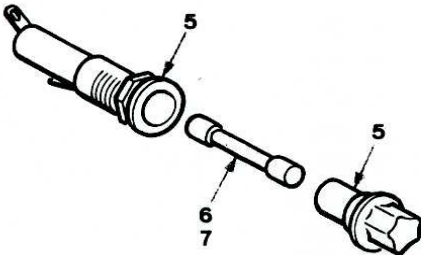
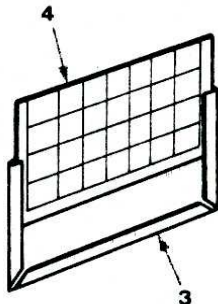
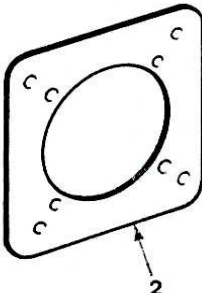
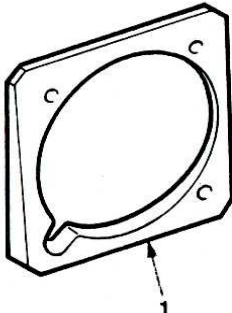
PILATUS B4-PC11

ALL METAL SAILPLANE

SPARE PARTS CATALOGUE

Figure 9/1/5

INSTRUMENT PANEL ACCESSORIES



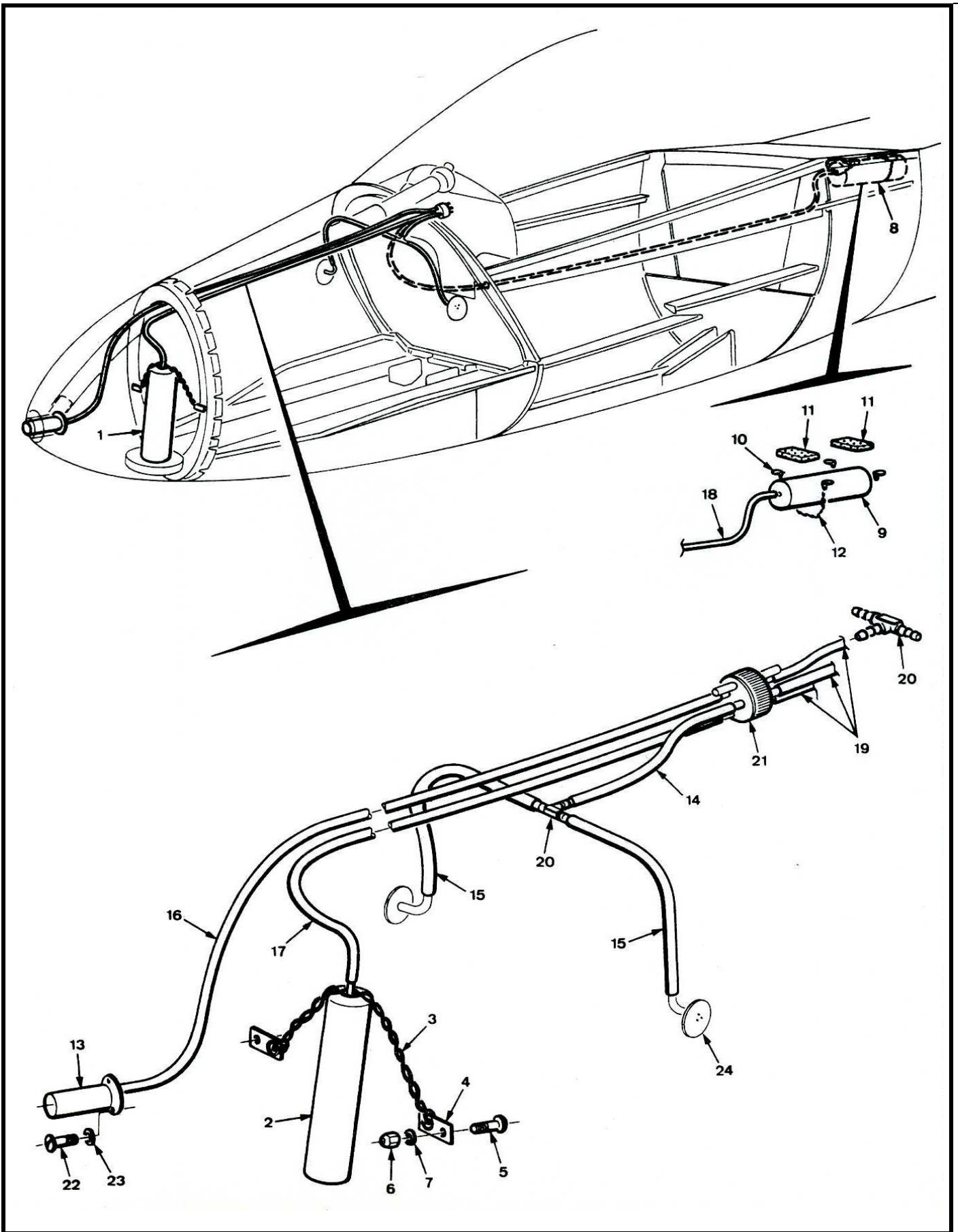
PILATUS B4-PC11

ALL METAL SAILPLANE

SPARE PARTS CATALOGUE

Figure 9/2/1

INSTRUMENT PIPES (STANDARD)



PILATUS B4-PC11

ALL METAL SAILPLANE

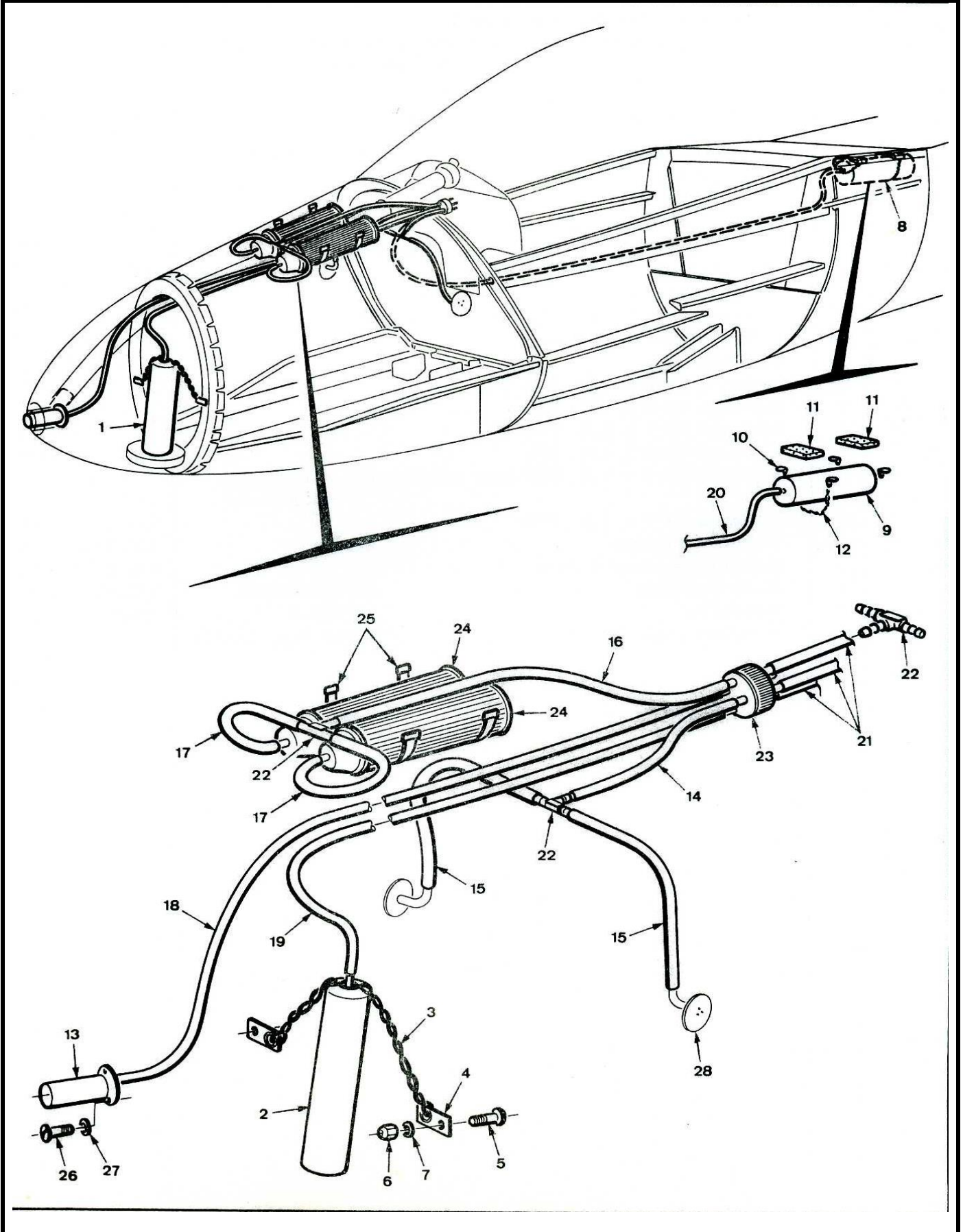
SPARE PARTS CATALOGUE

Figure & Pos No	No Off	Description	Part No.
9/2/1		Instrument pipes (standard)	
-1	1	Built in volume flask 0.45L (only valid if no round antenna is installed)	119.35.11.045
-2	1	Volume flask 0.45L plastic	965.16.97.103
-3	1	Rubber holder complete	119.35.11.044
-4	2	Tab	119.35.11.042
-5	2	Screw AN 526-832-6	935.45.16.120
-6	2	Nut AN 365-832	938.07.18.142
-7	2	Washer AN 980-8	938.77.11.111
-8	1	Built in volume flask 0.45L (only valid if round antenna is installed)	119.35.11.052
-9	1	Volume flask 0.45L plastic	965.16.97.103
-10	4	Locking plate	6302.0048.01
-11	2	Polythene foam 10mm 60 x 60 mm	917.12.32.006
-12	div	Securing wire, brass 0.5	919.01.11.117
-13	1	Pitot tube	119.35.11.047
-14	1	Tube LW 5 x 1.5 PVC	119.35.11.029
-15	2	Tube LW 5 x 1.5 PVC	119.35.11.030
-16	1	Tube LW 5 x 1.5 PVC	119.35.11.033
-17	1	Tube LW 5 x 1.5 PVC	119.35.11.034
-18	1	Tube LW 5 x 1.5 PVC (only valid if round antenna is installed)	119.35.11.072
-19	div	Tube LW 5 x 1.5 PVC	917.96.38.106
-20	div	T connector plastic TS 5	946.23.13.305
-21	1		946.01.11.304
-22	2	Screw AN 526-832-6	935.45.16.120
-23	2	Washer AN 960-8	938.77.11.111
-24	2	Nozzle static pressure (see Fig. 2/1/1)	

PILATUS B4-PC11

ALL METAL SAILPLANE

SPARE PARTS CATALOGUE



PILATUS B4-PC11

ALL METAL SAILPLANE

SPARE PARTS CATALOGUE

Figure & Pos No	No Off	Description	Part No.
9/2/3		Instrument pipes (special version)	
-1		Built in volume flask 0.45L (only valid if no round antenna is installed)	119.35.11.045
-2		Volume flask 0.45L plastic	965.16.97.103
-3		Rubber holder complete	119.35.11.044
-4		Tab	119.35.11.042
-5		Screw AN 526-832-6	935.45.16.120
-6		Nut AN 365-832	938.07.18.142
-7		Washer AN 980-8	938.77.11.111
-8		Built in volume flask 0.45L (only valid if round antenna is installed)	119.35.11.052
-9		Volume flask 0.45L plastic	965.16.97.103
-10		Locking plate	6302.0048.01
-11		Polythene foam 10mm 60 x 60 mm	917.12.32.006
-12		Securing wire, brass 0.5	919.01.11.117
-13		Pitot tube	119.35.11.047
-14		Tube LW 5 x 1.5 PVC	119.35.11.029
-15		Tube LW 5 x 1.5 PVC	119.35.11.030
-16		Tube LW 5 x 1.5 PVC	119.35.11.031
-17		Tube LW 5 x 1.5 PVC	119.35.11.032
-18		Tube LW 5 x 1.5 PVC	119.35.11.033
-19		Tube LW 5 x 1.5 PVC	119.35.11.034
-20		Tube LW 5 x 1.5 PVC (only valid if round antenna is installed)	119.35.11.072
-21		Tube LW 5 x 1.5 PVC	917.96.38.106
-22		T connector plastic TS 5	946.23.13.305
-23		4 way hose coupling	946.01.11.304
-24		Volume flask 0.9L Glass	965.16.97.107
-25		Ski-Fix Type L 1890 4048	949.96.21.702
-26		Screw AN 526-832-6	935.45.16.120
-27		Washer AN 960-8	938.77.11.111
-28		Nozzle static pressure (See Fig. 2/1/1)	

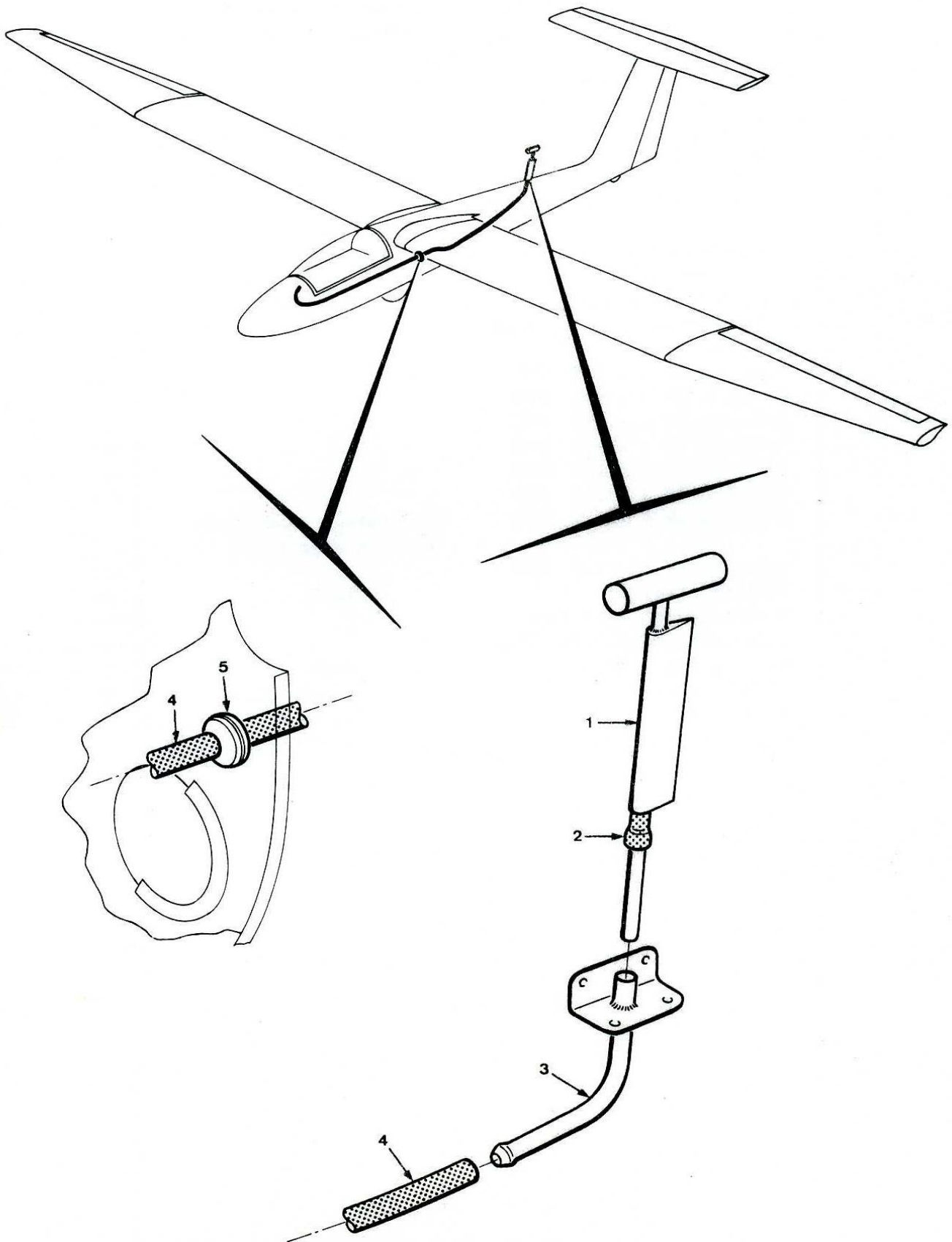
PILATUS B4-PC11

ALL METAL SAILPLANE

SPARE PARTS CATALOGUE

Figure 9/2/5

TOTAL ENERGY NOZZEL (HULL)



PILATUS B4-PC11

ALL METAL SAILPLANE SPARE PARTS CATALOGUE

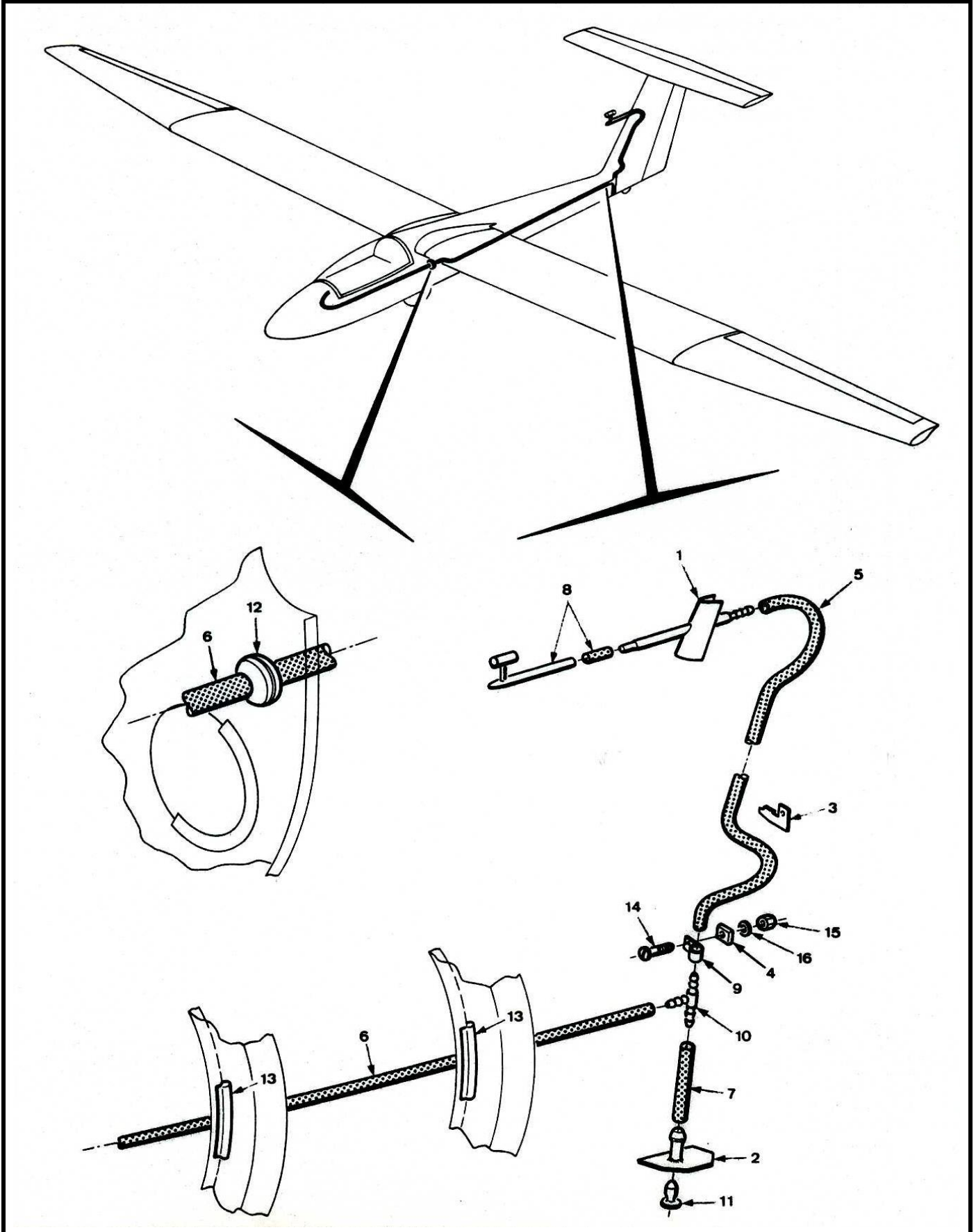
Figure & Pos No	No Off	Description	Part No.
9/2/5		Total energy system (hull) By request	119.35.11.062
-1	1	Total energy probe	119.35.11.059
-2	1	Tube LW 4 x 1.5 PVC	119.35.11.069
-3	1	Connection tube	119.35.11.058
-4	1	Tube LW 5 x 1.5 PVC	119.35.11.068
-5	1	Grommet AN 931-5-9	944.87.31.008

PILATUS B4-PC11

ALL METAL SAILPLANE
SPARE PARTS CATALOGUE

Figure 9/2/7

TOTAL ENERGY NOZZEL (FIN)



PILATUS B4-PC11

**ALL METAL SAILPLANE
SPARE PARTS CATALOGUE**

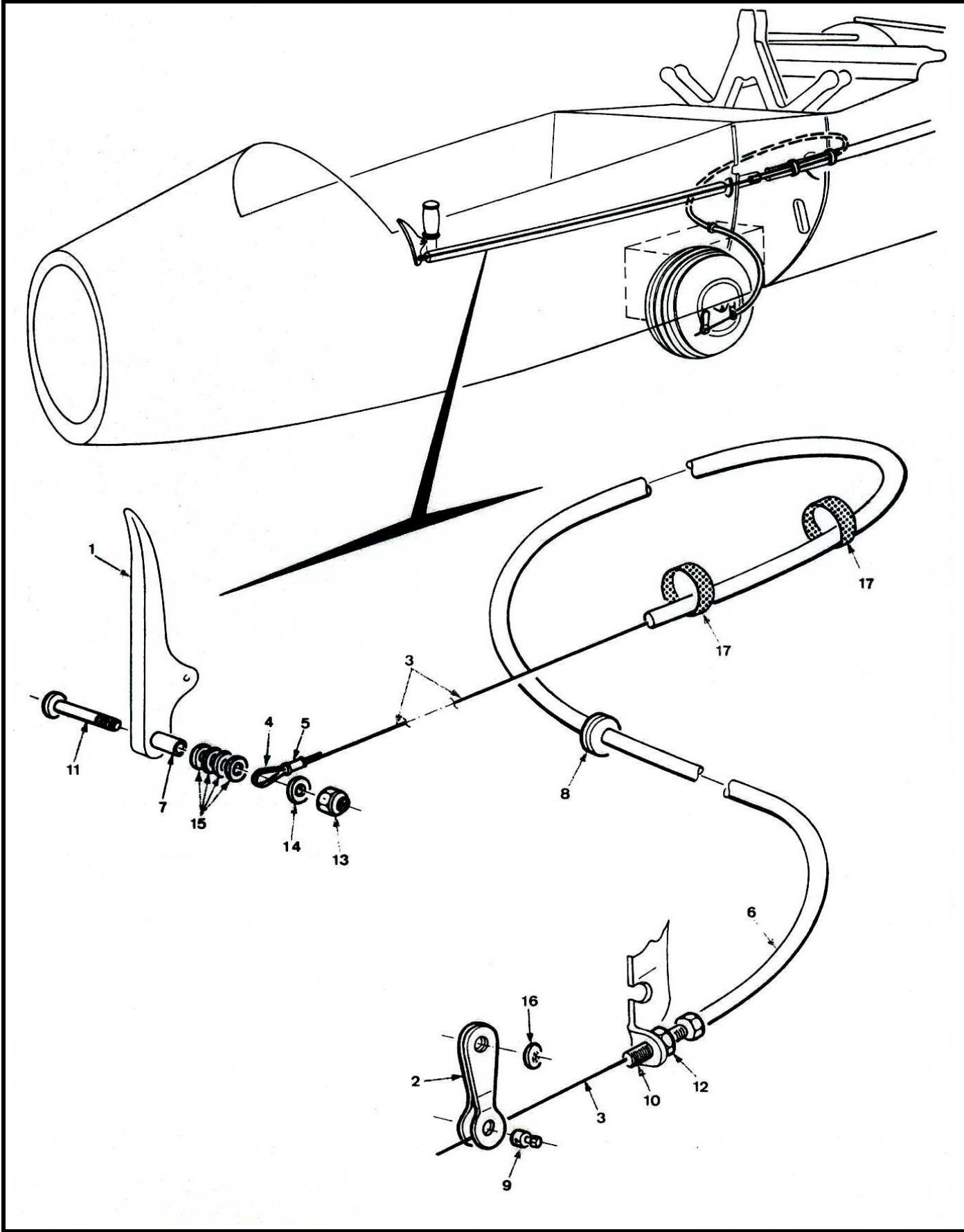
Figure & Pos No	No Off	Description	Part No.
9/2/7		Total energy system (fin) By request	119.35.11.054
-1	1	Connector (fin)	119.35.11.073
-2	1	Drain connector	119.35.11.061
-3	1	Support	119.35.11.060
-4	1	Spacer	119.35.11.074
-5	1	Tube LW 5 x 1.5 PVC	119.35.11.056
-6	1	Tube LW 5 x 1.5 PVC	119.35.11.066
-7	1	Tube LW 5 x 1.5 PVC	119.35.11.067
-8	1	Total energy probe GLASFLUEGEL	965.16.97.301
-9	1	P clip	946.31.05.103
-10	1	T connector plastic TS 5	946.23.13.305
-11	1	Drain plug MAAG Nr 4020	944.87.75.107
-12	1	Grommet	944.87.31.008
-13	div	Edge protector A-671 Nr. 4 PVC 200 mm long	917.53.8.003
-14	1	Screw M4 x 12 NB 1006	931.54.41.227
-15	1	Nut SM 4 VN 52	938.07.34.101
-16	1	Washer Dia 4.3/10 NB 1152	938.78.13.104

PILATUS B4-PC11

ALL METAL SAILPLANE
SPARE PARTS CATALOGUE

Figure 9/3/1

WHEEL BRAKE (FIXED U/C)



PILATUS B4-PC11

**ALL METAL SAILPLANE
SPARE PARTS CATALOGUE**

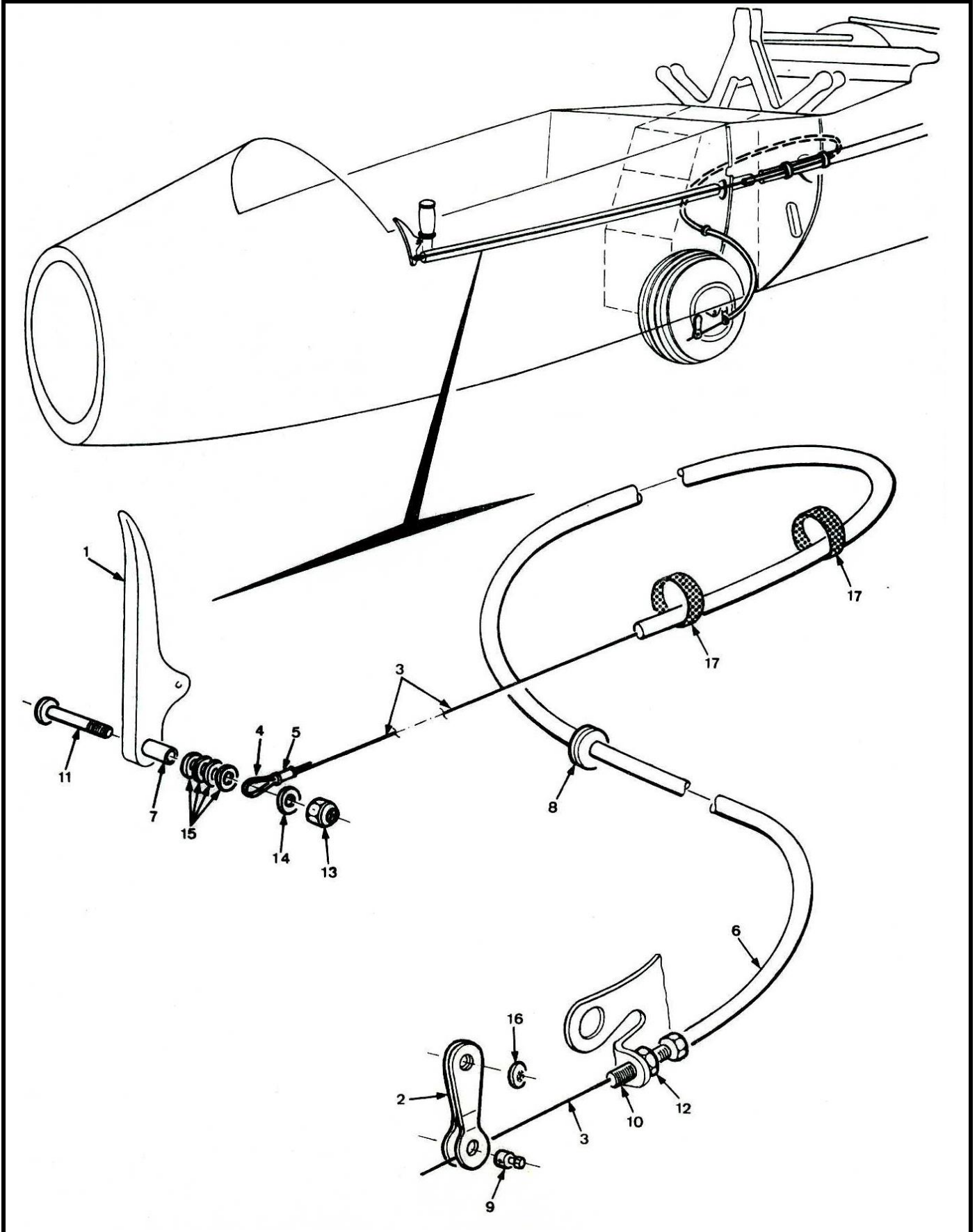
Figure & Pos No	No Off	Description	Part No.
9/3/1		Wheel brake system (Fixed U/C)	119.99.11.038
-1	1	Brake lever (See Fig. 6/3/1)	
-2	1	Lever	114.35.11.041
-3	1	Bowden cable	119.99.11.036
-4	1	Thimble DIN 6899	941.91.04.101
-5	1	Cable crimp 18-1-C	941.91.31.201
-6	1	Bowden cable outer 5.1 VN 372	119.99.11.035
-7	1	Bush	119.99.11.037
-8	1	Grommet AN 931-4-7	944.87.31.005
-9	1	Cable clamp dia 9.5	941.94.27.603
-10	1	Adjusting screw M9 x 1 VN 380	941.94.10.035
-11	1	Screw AN 526-632-22	935.45.16.112
-12	1	Nut M9 x 1 VN 61	938.02.47.805
-13	1	Nut AN 365-632C	938.07.18.161
-14	1	Washer AN 960-10L	938.77.11.012
-15	4	Washer AN 960-C416	938.77.61.015
-16	1	Lock washer J 8.2 Din 6797	938.83.11.148
-17	div	Glass fibre tape 19 mm	917.40.80.004

PILATUS B4-PC11

ALL METAL SAILPLANE
SPARE PARTS CATALOGUE

Figure 9/3/3

WHEEL BRAKE (RETRACT U/C)



PILATUS B4-PC11

ALL METAL SAILPLANE SPARE PARTS CATALOGUE

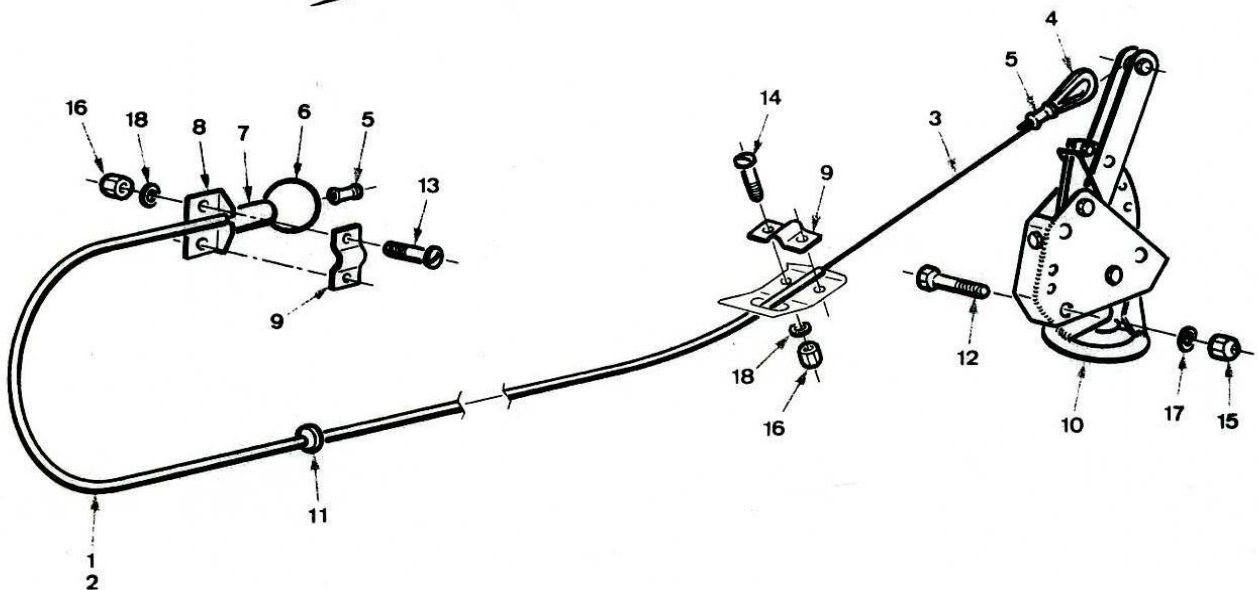
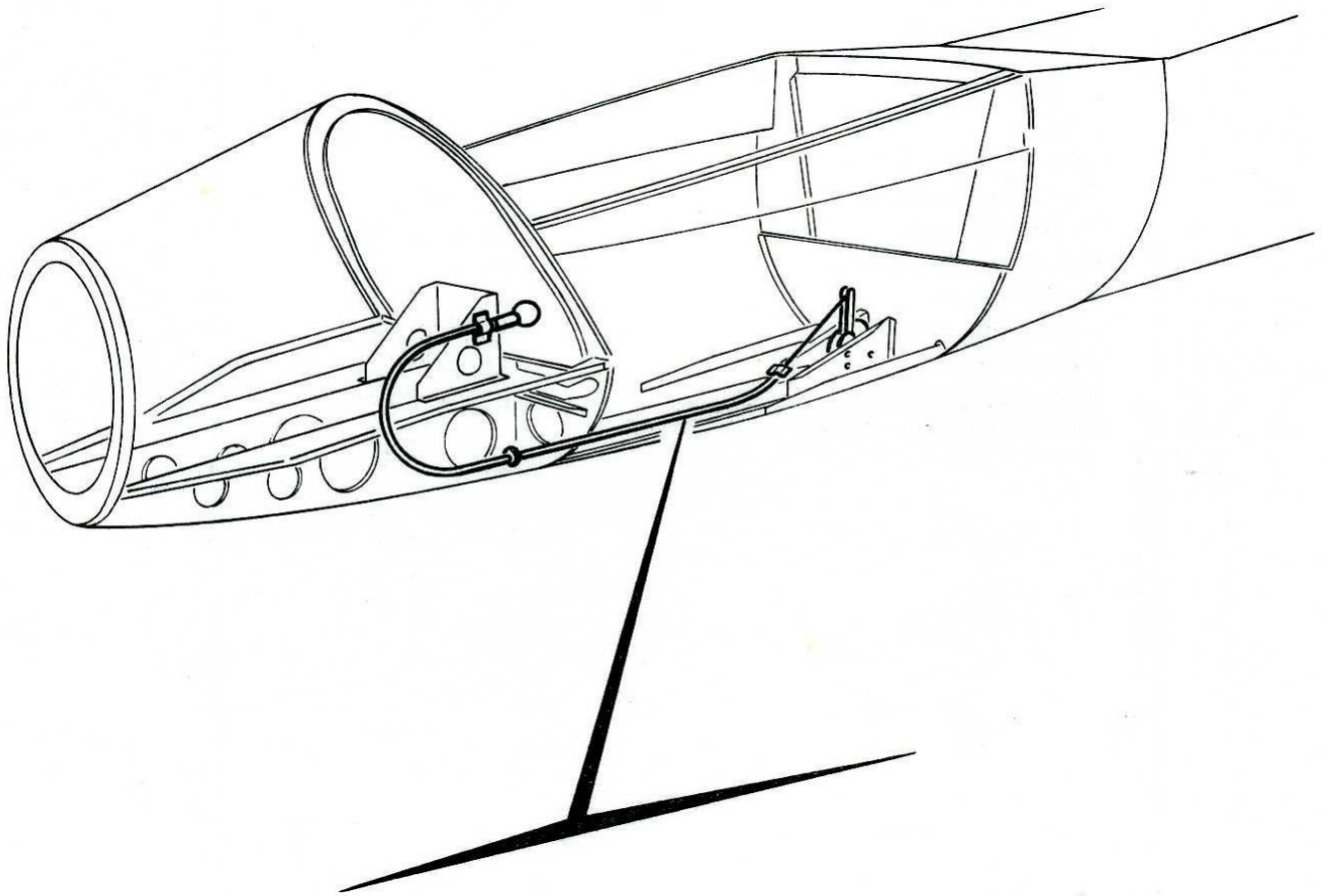
Figure & Pos No	No Off	Description	Part No.
9/3/3		Wheel brake system (Retract U/C)	119.99.11.038
-1	1	Brake lever (See Fig. 6/3/1)	
-2	1	Lever	114.35.11.041
-3	1	Bowden cable	119.99.11.036
-4	1	Thimble DIN 6899	941.91.04.101
-5	1	Cable crimp 18-1-C	941.91.31.201
-6	1	Bowden cable outer 5.1 VN 372	119.99.11.035
-7	1	Bush	119.99.11.037
-8	1	Grommet AN 931-9-13	944.87.31.016
-9	1	Cable clamp dia 9.5	941.94.27.603
-10	1	Adjusting screw M9 x 1 VN 380	941.94.10.035
-11	1	Screw AN 526-632-22	935.45.16.112
-12	1	Nut M9 x 1 VN 61	938.02.47.805
-13	1	Nut AN 365-632C	938.07.18.161
-14	1	Washer AN 960-10L	938.77.11.012
-15	4	Washer AN 960-C416	938.77.61.015
-16	1	Lock washer J 8.2 Din 6797	938.83.11.148
-17	div	Glass fibre tape 19 mm	917.40.80.004

PILATUS B4-PC11

ALL METAL SAILPLANE
SPARE PARTS CATALOGUE

Figure 9/4/1

TOW CABLE RELEASE



PILATUS B4-PC11

ALL METAL SAILPLANE SPARE PARTS CATALOGUE

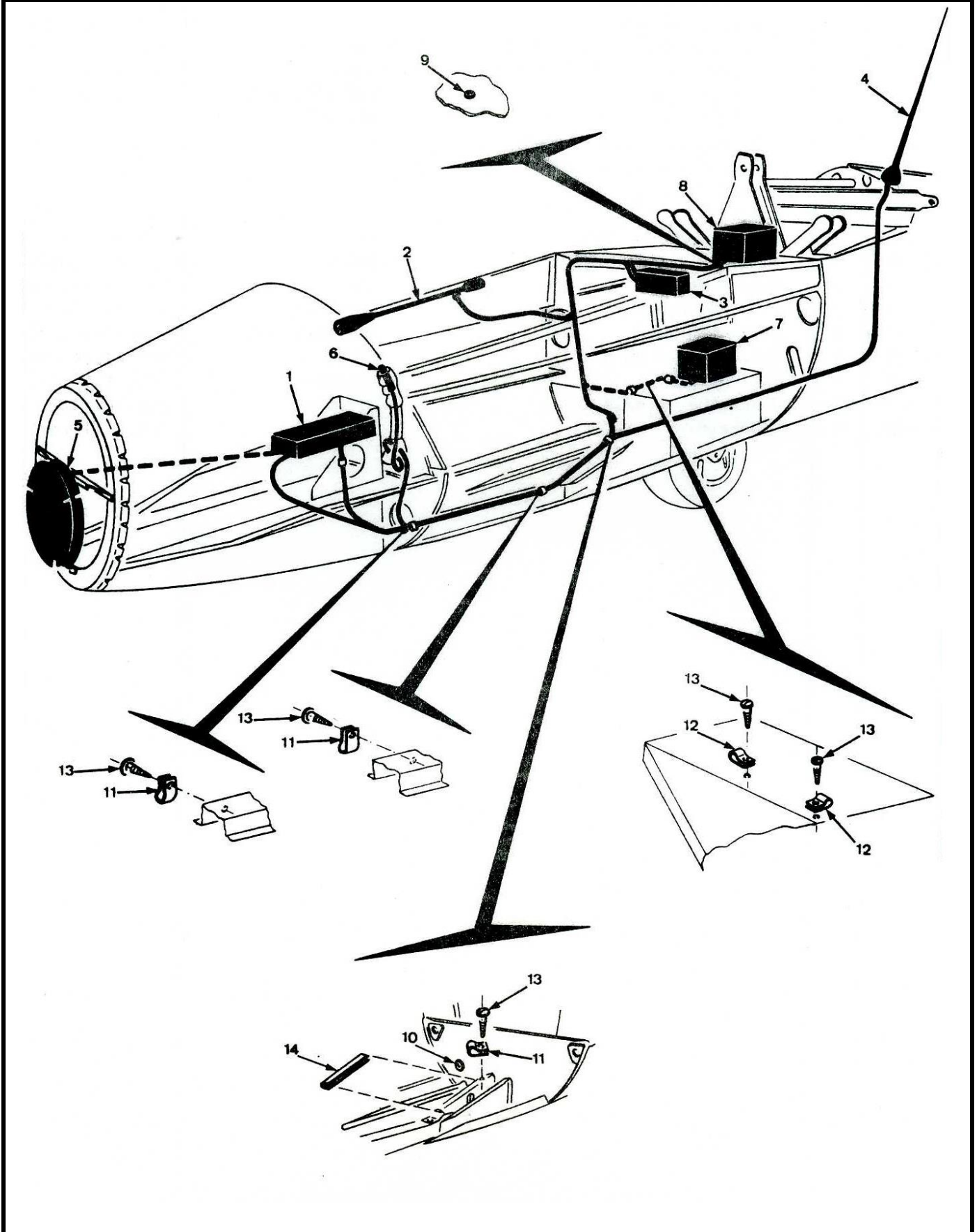
Figure & Pos No	No Off	Description	Part No.
9/4/1		Tow release system	119.68.11.005
-1	1	Bowden cable complete	119.68.11.004
-2	1	Cable outer cover 5.1 VN 372 1350 mm long	941.94.10.008
-3	1	Cable inner 1.8 VN 371 1670 mm long	941.94.10.003
-4	1	Thimble DIN 6899-thZn	941.91.04.101
-5	2	Cable crimp 18-1-C	941.91.31.201
-6	1	Cable grip (yellow) dia 40 M10	119.68.11.006
-7	1	Cable cover	119.68.11.007
-8	1	Cable support	119.68.11.003
-9	2	Cable grip	119.68.11.002
-10	1	Tow cable hook TOST	959.41.11.103
-11	1	Rubber grommet TROXLER 20054	944.87.37.105
-12	3	Screw M6 x 55 DIN 931-8.8	932.11.41.061
-13	2	Screw AN 525-832-7	935.45.16.001
-14	2	Screw AN 526-832-6	935.45.16.120
-15	3	Nut VN 52	938.07.34.103
-16	4	Nut AN 365-832	938.07.18.142
-17	3	Washer NB 1152	938.78.13.106
-18	4	Washer AN 960-8	938.77.11.111

PILATUS B4-PC11

ALL METAL SAILPLANE
SPARE PARTS CATALOGUE

Figure 9/5/1

RADIO & BATTERY



PILATUS B4-PC11

ALL METAL SAILPLANE SPARE PARTS CATALOGUE

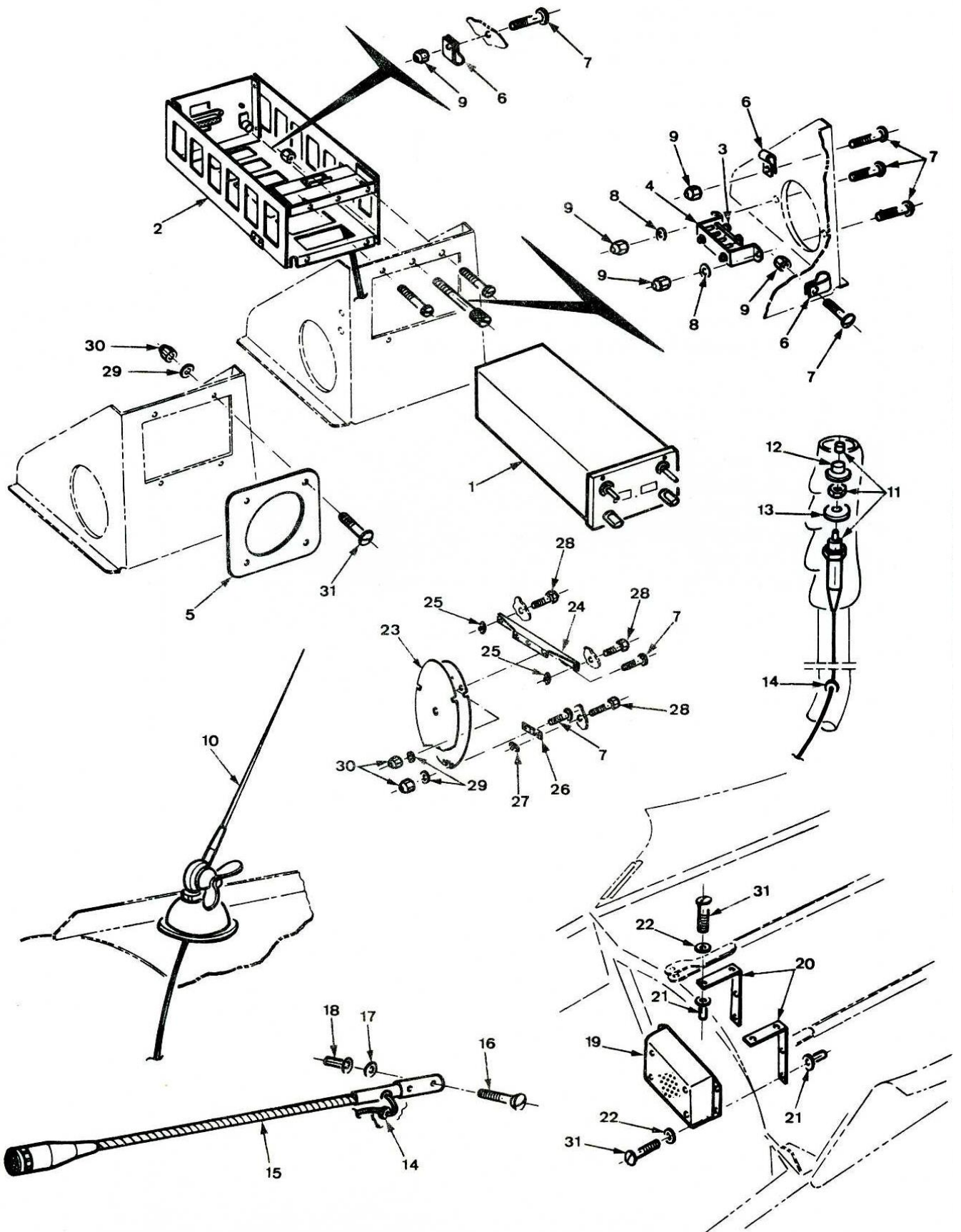
Figure & Pos No	No Off	Description	Part No.
9/5/1		Radio & Battery installation	
-1	1	VHF Radio (See fig. 9/5/3)	
-2	1	Swan neck microphone (See fig. 9/5/3)	
-3	1	Loud speaker (See fig. 9/5/3)	
-4	1	Rod antenna (See fig. 9/5/3)	
-5	1	Round antenna (By request) (See fig. 9/5/3)	
-6	1	PTT button (See fig. 9/5/3)	
-7	1	Battery storage (fixed U/C) (See fig. 9/5/5)	
-8	1	Battery storage (Retract U/C) (See fig. 9/5/5)	
-9	1	Grommet AN 931-3-5	944.87.31.002
-10	1	Grommet AN 931-5-9	944.87.31.008
-11	3	P Clip nylon HP-4N	944.31.05.703
-12	2	P Clip Nylon HP-3N	944.31.05.702
-13	5	Screw No. 6 x 3/8"	935.83.01.018
-14	div	Edge protector A-671 No.4 PVC	917.53.82.003

PILATUS B4-PC11

ALL METAL SAILPLANE SPARE PARTS CATALOGUE

Figure 9/5/3

RADIO ASSEMBLY



PILATUS B4-PC11

ALL METAL SAILPLANE SPARE PARTS CATALOGUE

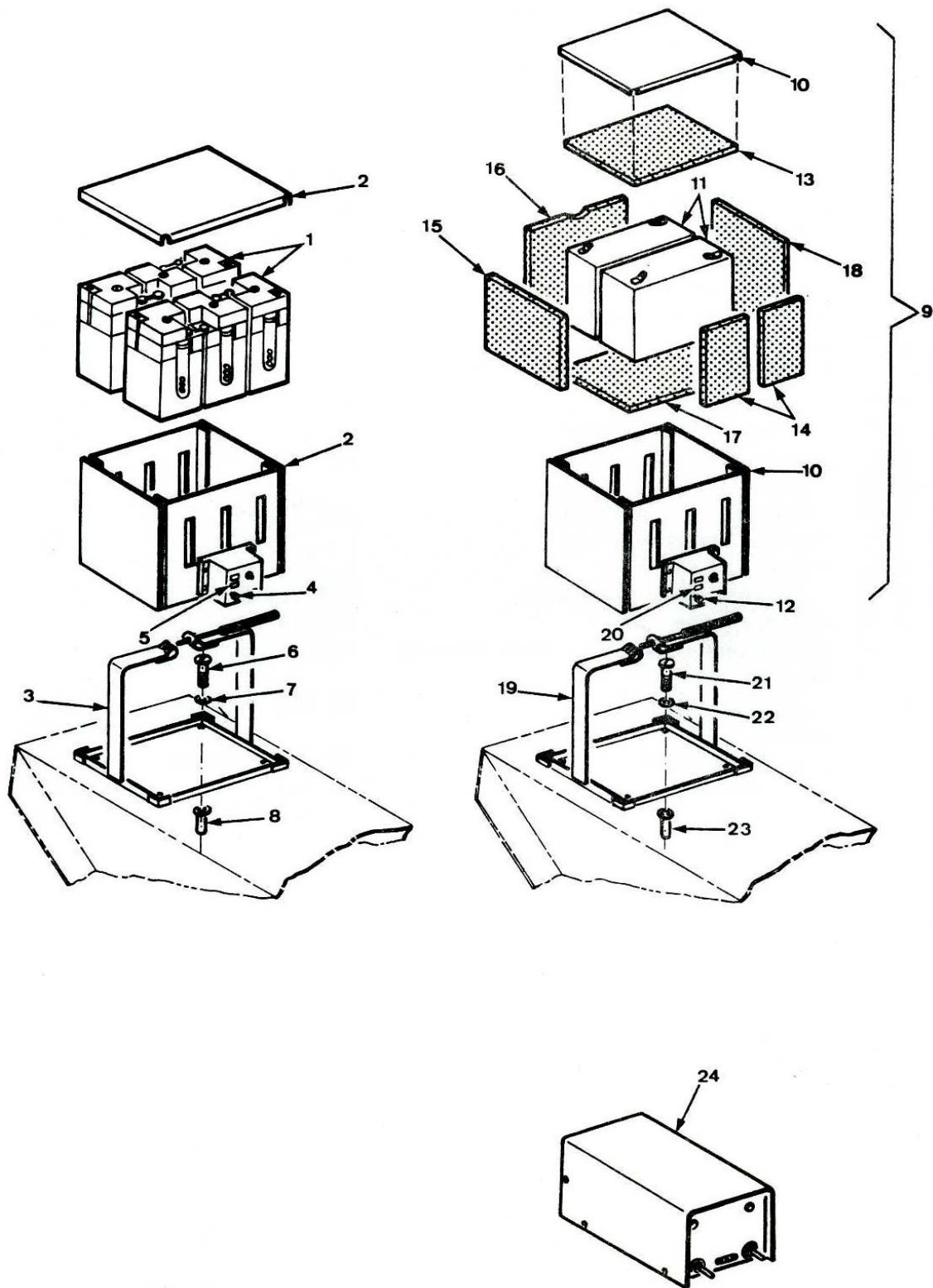
Figure & Pos No	No Off	Description	Part No.
9/5/3		Radio installation	
-1	1	VHF Radio DITTEL	FSG 15 985.13.31.101
	1	VHF Radio DITTEL	FSG 16 985.13.31.103
-2	1	Radio holder with cable	985.13.31.107
-3	1	Terminal block	119.45.11.003
-4	1	Support	119.45.11.002
-5	1	Cover plate	119.45.11.004
-6	3	P Clip Nylon	HP-3N 946.31.05.702
-7	10	Screw	AN 526-632-6 935.45.16.102
-8	2	Washer	AN 960-8 938.77.11.111
-9	5	Nut	AN 365-632C 938.07.18.161
-10	1	Rod antenna with cable	985.13.31.121
-11	1	PTT button with cable	985.13.31.117
-12	1	Sleeve	119.45.11.021
-13	1	Washer	119.45.11.009
-14	2	Grommet	AN 931-3-5 944.87.31.002
-15	1	Swan neck microphone	985.13.31.115
-16	2	Countersunk screw	AN 507-632-16 933.45.16.130
-17	2	Washer	119.45.11.005
-18	2	Rivnut GOODRICH	A6K 75 LM 938.46.81.107
-19	1	Loud speaker 3W	985.13.31.119
-20	2	Bracket	119.45.11.008
-21	4	Rivnut	A6K 120 LM 938.46.81.108
-22	8	Spring washer	DIN 137 938.82.11.210
-23	1	Round antenna BECKER (By request)	RA 7 984.81.12.502
-24	1	Support	119.45.11.022
-25	2	Rivnut	AN 366 F 1032A 938.42.28.103
-26	1	Hanger	119.45.11.026
-27	1	Rivnut	AN 366 F 1032A 938.42.28.103
-28	3	Bolt	AN 3-3 932.19.21.025
-29	9	Washer	AN 960-C6L 938.77.61.008
-30	9	Nut	MS 20365D 632 938.07.18.172
-31	12	Screw	AN 526C 632-12 935.45.16.308

PILATUS B4-PC11

ALL METAL SAILPLANE
SPARE PARTS CATALOGUE

Figure 9/5/5

BATTERY ASSEMBLY



PILATUS B4-PC11

ALL METAL SAILPLANE SPARE PARTS CATALOGUE

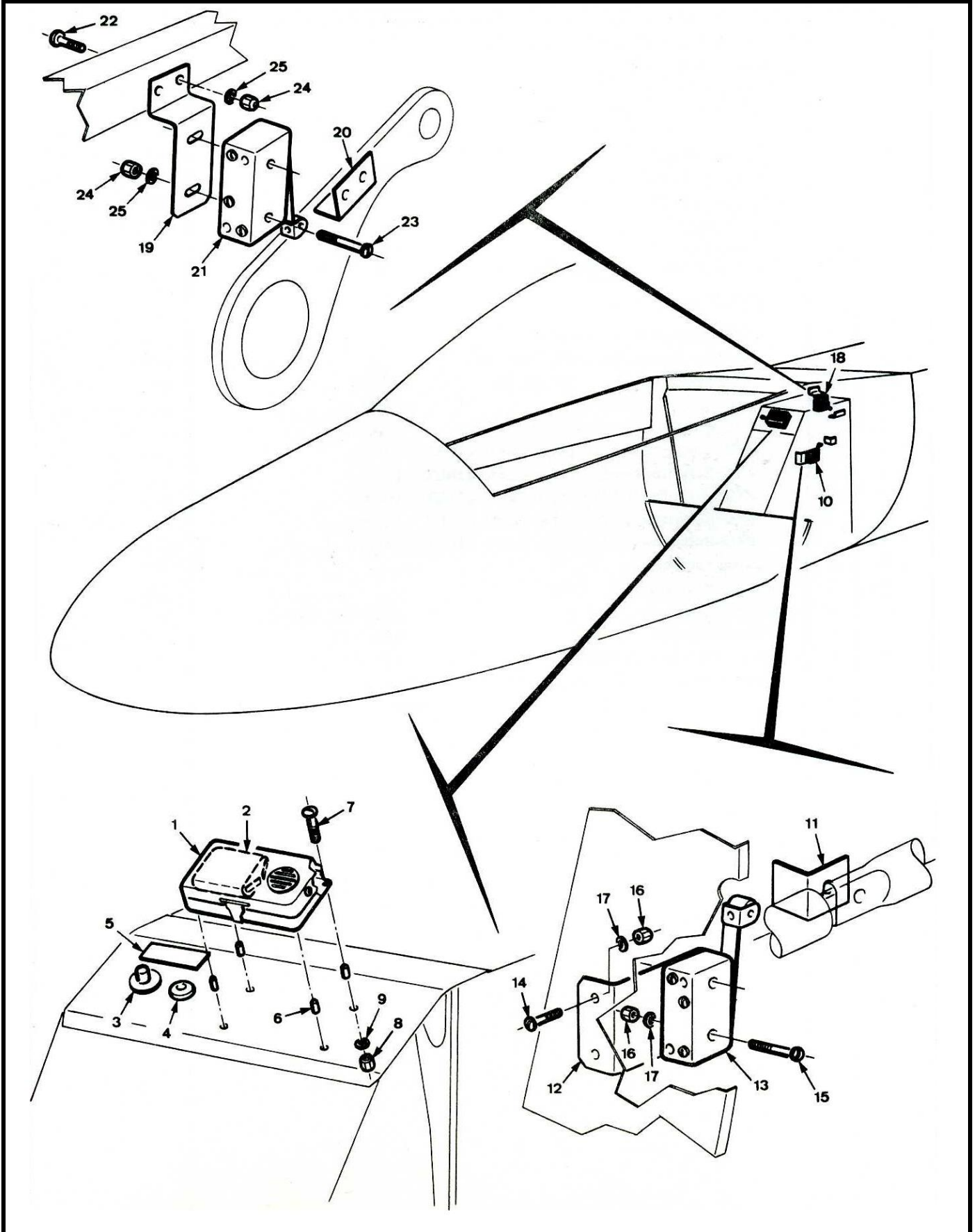
Figure & Pos No	No Off	Description	Part No.
9/5/5		Battery assembly	
		<u>LEAD ACID BATTERY 7.5 Ah</u>	
-1	2	Battery 6V 7.5 Ah	975.11.13.107
-2	1	Battery case and test set	985.13.31.125
-3	1	Mounting frame	985.13.31.128
-4	1	Socket	SP 6 A 972.51.11.024
-5	1	Label (6A)	110.70.11.052
-6	4	Screw	AN 526C 632-12 935.45.16.308
-7	4	Spring washer	DIN 137 938.82.11.210
-8	4	Rivnut	A6K 75 LM 938.46.81.107
		<u>DRYFIT BATTERY 6Ah</u>	
-9	1	Battery box complete	119.40.11.001
-10	1	Battery case and test set	985.13.31.125
-11	2	Dry battery 6V 6 Ah	90472 976.10.17.109
-12	1	Socket	SP 6 A 972.51.11.024
-13	1	Polythene foam sheet 20 mm	Qual. A27 119.40.11.006
-14	2	Foam sheet hard AIREX	8 mm 119.40.11.005
-15	1	Foam sheet hard AIREX	10 mm 119.40.11.004
-16	1	Foam sheet hard AIREX	10 mm 119.40.11.003
-17	1	Foam sheet hard AIREX	10 mm 119.40.11.002
-18	1	Foam sheet hard AIREX	4 mm 119.40.11.007
-19	1	Mounting frame	985.13.31.128
-20	1	Label (6A)	110.70.11.052
-21	4	Screw	AN 526C 632-12 935.45.16.308
-22	4	Spring washer	DIN 137 938.82.11.210
-23	4	Rivnut	A6K 75 LM 938.46.81.107
-24	1	Automatic charger for DRYFIT battery Including cable (only on request) DITTEL	976.19.81.107

PILATUS B4-PC11

ALL METAL SAILPLANE SPARE PARTS CATALOGUE

Figure 9/6/1

UNDERCARRAGE WARNING SYSTEM



PILATUS B4-PC11

ALL METAL SAILPLANE SPARE PARTS CATALOGUE

Figure & Pos No	No Off	Description	Part No.
9/6/1		Undercarriage warning system (by request)	119.40.11.014
-1	1	Buzzer Type CIRTEST	972.11.41.103
-2	1	Flat battery 4.5V 22 x 62 x 66	976.10.13.102
-3	1	Push button	973.32.13.301
-4	1	Grommet	944.87.31.002
-5	1	Label (Test undercarriage warning)	110.70.11.067
-6	4	Spacer dia. 8 x 2	119.40.11.016
-7	4	Screw	935.45.16.108
-8	4	Nut	938.07.18.161
-9	4	Washer	938.77.61.008
-10	1	Switch installation (Air brake)	119.40.11.010
-11	1	Actuator bracket	119.40.11.008
-12	1	Switch mounting bracket	119.40.11.009
-13	1	Microswitch	973.30.28.101
-14	2	Screw	935.45.16.102
-15	2	Screw	935.45.16.109
-16	4	Nut	938.07.18.161
-17	4	Washer	938.77.61.008
-18	1	Switch installation (Under carriage)	119.40.11.011
-19	1	Switch mounting bracket	119.40.11.012
-20	1	Actuator bracket	119.40.11.013
-21	1	Microswitch	973.30.28.101
-22	2	Screw	935.45.16.102
-23	2	Screw	935.45.16.109
-24	4	Nut	938.07.18.161
-25	4	Washer	938.77.61.008